



DC MOTOR



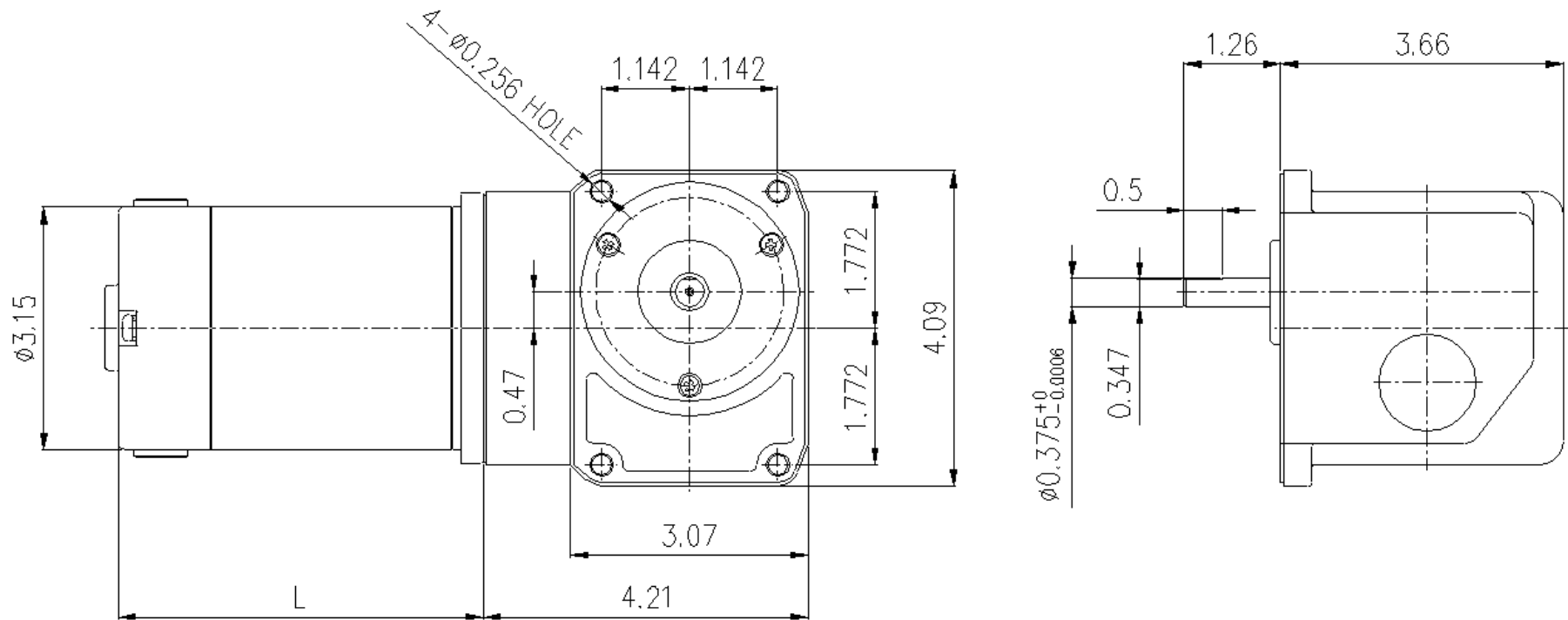
RIGHT ANGLE GEARBOX

## ASSEMBLY INFO

MODEL:  
7CJ88-J99,7CK00-K07

**Dayton**®

DAYTON ELECTRIC MANUFACTURING CO.  
100 GRAINGER PARKWAY  
LAKE FOREST, IL 60045 USA

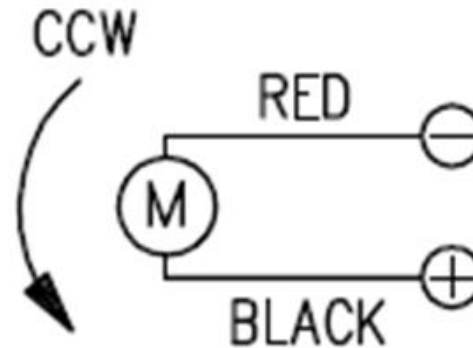
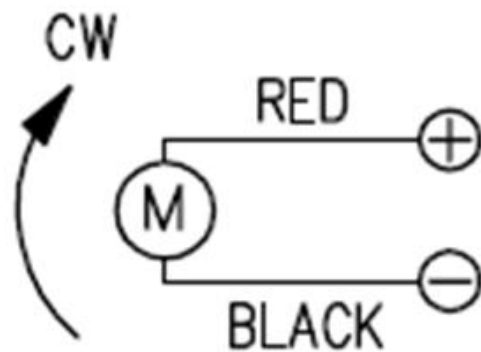


**OUTLINE DRAWING**

**MODEL:**  
7CJ88-J99,7CK00-K07




**DAYTON ELECTRIC MANUFACTURING CO.**  
100 GRAINGER PARKWAY  
LAKE FOREST, IL 60045 USA



NOTE:

1. THIS MOTOR HAS A 1.0 FORM FACTOR (FF) RATING, SO THE MOTOR SUPPLY MUST HAVE THE SAME RATING.
2. USING A MOTOR SUPPLY WHICH HAS A HIGHER FF RATING WILL OVERHEAT THE MOTOR.

HP: 1/19	Watt: 40	Speed: 2900 RPM	Volt: 24 DC	FLA: 3.0	FF: 1.0	Capacitor Value: None
<b>WIRE DIAGRAM</b>			MODEL:			DAYTON ELECTRIC MANUFACTURING CO. 100 GRAINGER PARKWAY LAKE FOREST, IL 60045 USA
			7CJ88-J99,7CK00-K07			
Revision Date: 11-21-2012						Page 3 of 4

7-Combo No.	Motor SKU	Gearbox SKU	"L" Dimension (IN)	Shaft Rotation with Respect to Motor Shaft	No Load Speed (RPM)	Estimated Full Load Speed (RPM)	Gear Box Ratio	Max. Torque (IN-LB)	Max. Over Hung Load (LB)	Max. Thrust Load (LB)
7CJ88	23L386	23L474	4.90	Opposite	1000	967	3:1	2.38	78.7	44.96
7CJ89	23L386	23L475	4.90	Opposite	833	806	3.6:1	2.85	78.7	44.96
7CJ90	23L386	23L476	4.90	Opposite	600	580	5:1	3.96	78.7	44.96
7CJ91	23L386	23L477	4.90	Opposite	500	483	6:1	4.75	78.7	44.96
7CJ92	23L386	23L478	4.90	Opposite	400	387	7.5:1	5.94	78.7	44.96
7CJ93	23L386	23L479	4.90	Opposite	333	322	9:1	7.13	78.7	44.96
7CJ94	23L386	23L480	4.90	Opposite	240	232	12.5:1	9.91	78.7	44.96
7CJ95	23L386	23L481	4.90	Opposite	200	193	15:1	11.9	78.7	44.96
7CJ96	23L386	23L482	4.90	Opposite	167	161	18:1	14.3	78.7	44.96
7CJ97	23L386	23L483	4.90	Opposite	120	116	25:1	17.5	101.2	44.96
7CJ98	23L386	23L484	4.90	Opposite	100	96.7	30:1	21.0	101.2	44.96
7CJ99	23L386	23L485	4.90	Opposite	83.3	80.6	36:1	25.2	101.2	44.96
7CK00	23L386	23L486	4.90	Opposite	60.0	58.0	50:1	35.0	101.2	44.96
7CK01	23L386	23L487	4.90	Opposite	50.0	48.3	60:1	42.0	101.2	44.96
7CK02	23L386	23L488	4.90	Opposite	40.0	38.7	75:1	52.4	101.2	44.96
7CK03	23L386	23L489	4.90	Opposite	33.3	32.2	90:1	62.9	101.2	44.96
7CK04	23L386	23L490	4.90	Opposite	30.0	29.0	100:1	69.9	101.2	44.96
7CK05	23L386	23L491	4.90	Opposite	25.0	24.2	120:1	83.9	101.2	44.96
7CK06	23L386	23L492	4.90	Opposite	20.0	19.4	150:1	104.9	101.2	44.96
7CK07	23L386	23L493	4.90	Opposite	16.7	16.3	180:1	125.9	101.2	44.96

## SPECIFICATIONS

**MODEL:**  
7CJ88-J99,7CK00-K07



DAYTON ELECTRIC MANUFACTURING CO.  
100 GRAINGER PARKWAY  
LAKE FOREST, IL 60045 USA