



AC PSC MOTOR WITH
CONDUIT BOX



GEARBOX MULTIPLIER



PARALLEL GEARBOX

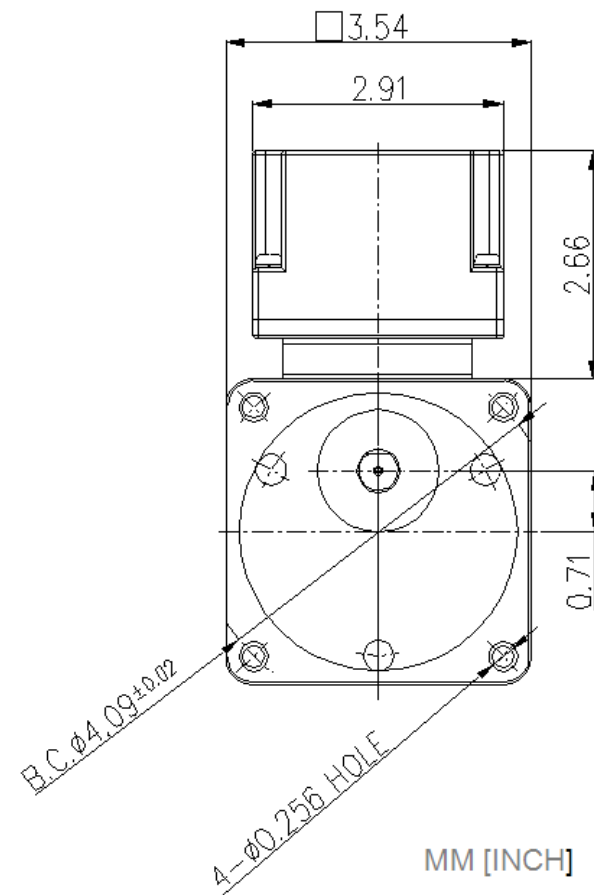
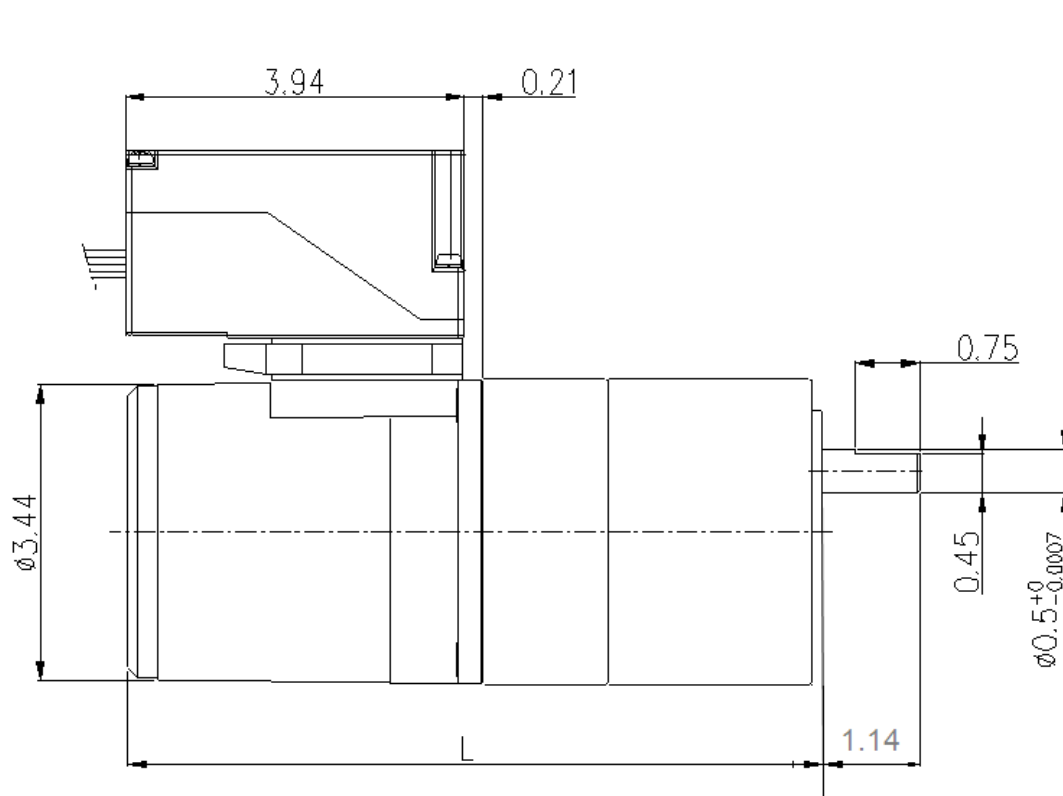
ASSEMBLY INFO

MODEL:

7CA92-99,7CC00,
C55-C57,7CD00-D18



DAYTON ELECTRIC MANUFACTURING CO.
100 GRAINGER PARKWAY
LAKE FOREST, IL 60045 USA



MM [INCH]

OUTLINE DRAWING

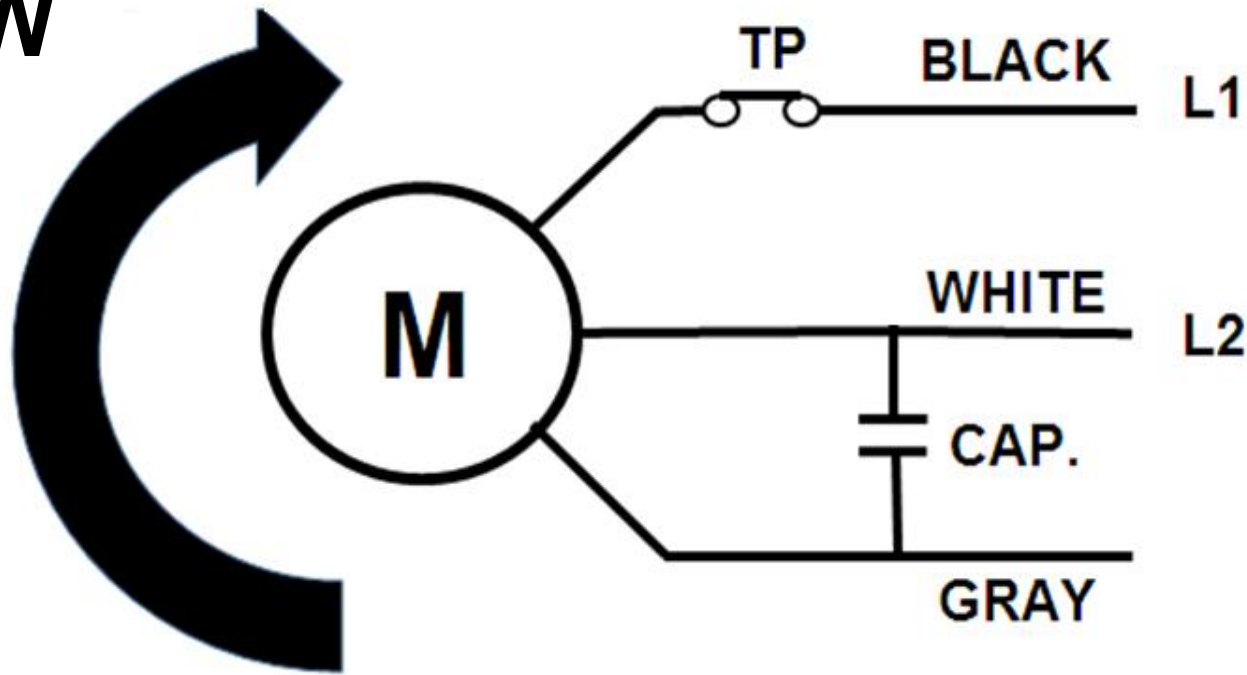
MODEL:

7CA92-99,7CC00,
C55-C57,7CD00-D18



DAYTON ELECTRIC MANUFACTURING CO.
100 GRAINGER PARKWAY
LAKE FOREST, IL 60045 USA

CW



CW ROTATION SHOWN AT THE SHAFT END.
CONNECT L2 TO GRAY WIRE INSTEAD OF WHITE
WIRE TO REVERSE MOTOR DIRECTION.

HP: 1/19	Watt: 40	Speed: 1600 RPM	Volt: 115 VAC / 1 Phase	FLA: 0.61	Freq: 60 Hz	Capacitor Value: 9 MFD / 250 VAC
----------	----------	-----------------	-------------------------	-----------	-------------	----------------------------------

WIRE DIAGRAM	MODEL:		DAYTON ELECTRIC MANUFACTURING CO. 100 GRAINGER PARKWAY LAKE FOREST, IL 60045 USA
	7CA92-99,7CC00, C55-C57,7CD00-D18		

Revision Date: 11-21-2012	Page 3 of 4
---------------------------	-------------

7-Combo No.	Motor SKU	Gearbox SKU	Multiplier SKU	Length Less Shaft "L" Dimension (IN)	Shaft Rotation with Respect to Motor Shaft	No Load Speed (RPM)	Estimated Full Load Speed (RPM)	Gear Box Ratio	Max. Torque (IN-LB)	Max. Over Hung Load (LB)	Max. Thrust Load (LB)
7CA92	23L379	23L429	None	5.9	Same	600	533	3:1	5.13	66.14	22
7CA93	23L379	23L430	None	5.9	Same	500	444	3.6:1	6.16	66.14	22
7CA94	23L379	23L431	None	5.9	Same	360	320	5:1	8.55	66.14	22
7CA95	23L379	23L432	None	5.9	Same	300	267	6:1	10.3	66.14	22
7CA96	23L379	23L433	None	5.9	Same	240	213	7.5:1	12.8	66.14	22
7CA97	23L379	23L434	None	5.9	Same	200	178	9:1	15.4	66.14	22
7CA98	23L379	23L435	None	5.9	Same	180	160	10:1	17.1	66.14	22
7CA99	23L379	23L436	None	5.9	Same	144	128	12.5:1	21.4	66.14	22
7CC00	23L379	23L437	None	5.9	Same	120	107	15:1	25.7	66.14	22
7CC55	23L379	23L438	None	5.9	Same	100	88.9	18:1	30.8	66.14	22
7CC56	23L379	23L439	None	6.61	Opposite	90	80.0	20:1	30.8	81.57	22
7CC57	23L379	23L440	None	6.61	Opposite	72	64.0	25:1	38.5	81.57	22
7CD00	23L379	23L441	None	6.61	Opposite	60	53.3	30:1	46.3	81.57	22
7CD01	23L379	23L442	None	6.61	Opposite	50	44.4	36:1	55.5	81.57	22
7CD02	23L379	23L443	None	6.61	Opposite	45	40.0	40:1	61.7	81.57	22
7CD03	23L379	23L444	None	6.61	Same	36	32.0	50:1	69.7	81.57	22
7CD04	23L379	23L445	None	6.61	Same	30	26.7	60:1	83.6	81.57	22
7CD05	23L379	23L446	None	6.61	Same	24	22	75:1	86.8	81.57	22
7CD06	23L379	23L447	None	6.61	Same	20	18.7	90:1	86.8	81.57	22
7CD07	23L379	23L448	None	6.61	Same	18	17.1	100:1	86.8	81.57	22
7CD08	23L379	23L449	None	6.61	Same	15	14.4	120:1	86.8	81.57	22
7CD09	23L379	23L450	None	6.61	Same	12	11.6	150:1	86.8	81.57	22
7CD10	23L379	23L451	None	6.61	Same	10	9.7	180:1	86.8	81.57	22
7CD11	23L379	23L452	None	6.61	Same	9.0	8.8	200:1	86.8	81.57	22
7CD12	23L379	23L442	23L453	8.07	Same	5.0	4.9	360:1	86.8	81.57	22
7CD13	23L379	23L445	23L453	8.07	Same	3.0	2.9	600:1	86.8	81.57	22
7CD14	23L379	23L446	23L453	8.07	Same	2.4	2.4	750:1	86.8	81.57	22
7CD15	23L379	23L447	23L453	8.07	Same	2.0	2.0	900:1	86.8	81.57	22
7CD16	23L379	23L449	23L453	8.07	Same	1.5	1.4	1200:1	86.8	81.57	22
7CD17	23L379	23L450	23L453	8.07	Same	1.2	1.2	1500:1	86.8	81.57	22
7CA92	23L379	23L451	23L453	8.07	Same	1.0	1.0	1800:1	86.8	81.57	22

SPECIFICATIONS

MODEL:

7CA92-99,7CC00,
C55-C57,7CD00-D18



DAYTON ELECTRIC MANUFACTURING CO.
100 GRAINGER PARKWAY
LAKE FOREST, IL 60045 USA