



DC MOTOR



GEARBOX MULTIPLIER



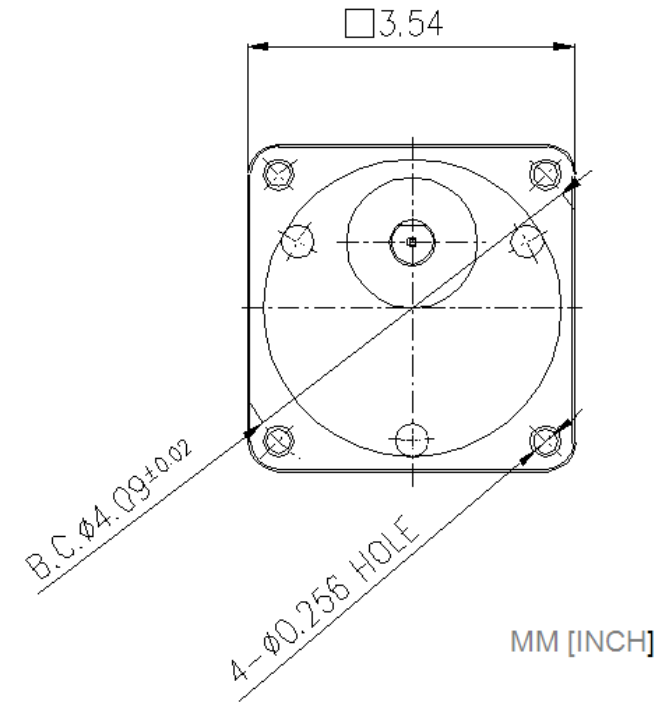
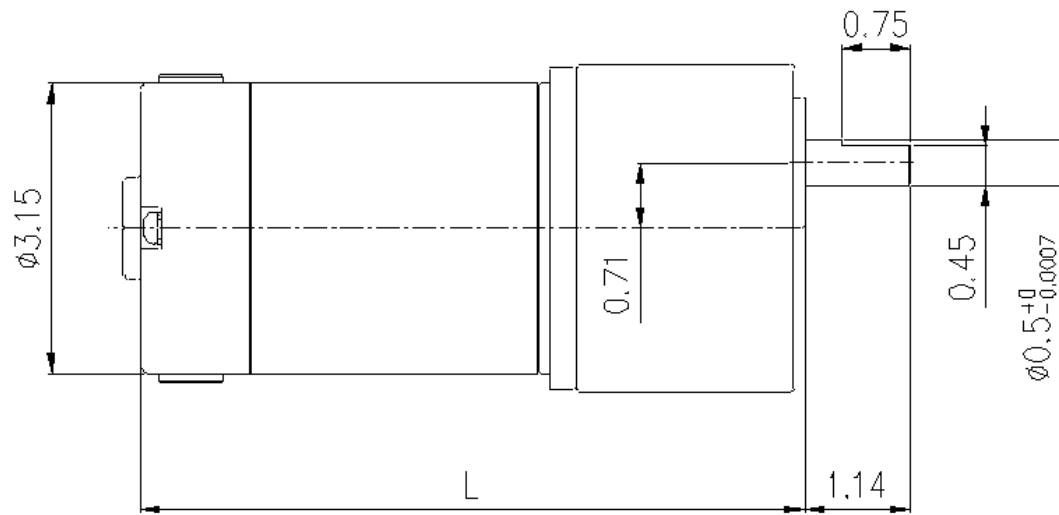
PARALLEL GEARBOX

ASSEMBLY INFO

MODEL:
7CE74-E99,7CF00,
F28-F30,7CG00



DAYTON ELECTRIC MANUFACTURING CO.
100 GRAINGER PARKWAY
LAKE FOREST, IL 60045 USA

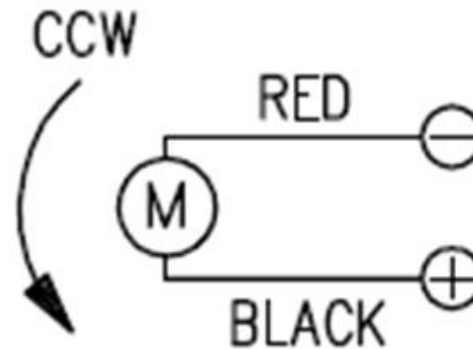
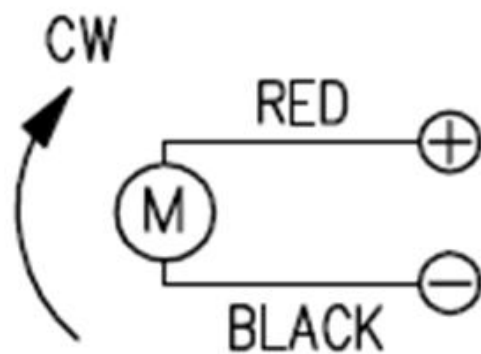


OUTLINE DRAWING

MODEL:
7CE74-E99,7CF00,
F28-F30,7CG00




**DAYTON ELECTRIC MANUFACTURING
CO.**
100 GRAINGER PARKWAY
LAKE FOREST, IL 60045 USA



NOTE:

1. THIS MOTOR HAS A 1.0 FORM FACTOR (FF) RATING, SO THE MOTOR SUPPLY MUST HAVE THE SAME RATING.
2. USING A MOTOR SUPPLY WHICH HAS A HIGHER FF RATING WILL OVERHEAT THE MOTOR.

HP: 1/19	Watt: 40	Speed: 2800 RPM	Volt: 12 DC	FLA: 6.0	FF: 1.0	Capacitor Value: None
WIRE DIAGRAM			MODEL: 7CE74-E99,7CF00, F28-F30,7CG00			DAYTON ELECTRIC MANUFACTURING CO. 100 GRAINGER PARKWAY LAKE FOREST, IL 60045 USA
			Revision Date: 11-21-2012			

7-Combo No.	Motor SKU	Gearbox SKU	Multiplier SKU	Length Less Shaft "L" Dimension (IN)	Shaft Rotation with Respect to Motor Shaft	No Load Speed (RPM)	Estimated Full Load Speed (RPM)	Gear Box Ratio	Max. Torque (IN-LB)	Max. Over Hung Load (LB)	Max. Thrust Load (LB)
7CE74	23L385	23L429	None	6.67	Same	1067	933	3:1	2.93	66.14	22
7CE75	23L385	23L430	None	6.67	Same	889	778	3.6:1	3.52	66.14	22
7CE76	23L385	23L431	None	6.67	Same	640	560	5:1	4.89	66.14	22
7CE77	23L385	23L432	None	6.67	Same	533	467	6:1	5.87	66.14	22
7CE78	23L385	23L433	None	6.67	Same	427	373	7.5:1	7.33	66.14	22
7CE79	23L385	23L434	None	6.67	Same	356	311	9:1	8.80	66.14	22
7CE80	23L385	23L435	None	6.67	Same	320	280	10:1	9.78	66.14	22
7CE81	23L385	23L436	None	6.67	Same	256	224	12.5:1	12.2	66.14	22
7CE82	23L385	23L437	None	6.67	Same	213	187	15:1	14.7	66.14	22
7CE83	23L385	23L438	None	6.67	Same	178	156	18:1	17.6	66.14	22
7CE84	23L385	23L439	None	7.38	Opposite	160	140	20:1	17.6	81.57	22
7CE85	23L385	23L440	None	7.38	Opposite	128	112	25:1	22.0	81.57	22
7CE86	23L385	23L441	None	7.38	Opposite	107	93.3	30:1	26.4	81.57	22
7CE87	23L385	23L442	None	7.38	Opposite	88.9	77.8	36:1	31.7	81.57	22
7CE88	23L385	23L443	None	7.38	Opposite	80.0	70.0	40:1	35.2	81.57	22
7CE89	23L385	23L444	None	7.38	Same	64.0	56.0	50:1	39.8	81.57	22
7CE90	23L385	23L445	None	7.38	Same	53.3	46.7	60:1	47.8	81.57	22
7CE91	23L385	23L446	None	7.38	Same	42.7	37.3	75:1	59.7	81.57	22
7CE92	23L385	23L447	None	7.38	Same	35.6	31.1	90:1	71.7	81.57	22
7CE93	23L385	23L448	None	7.38	Same	32.0	28.0	100:1	79.7	81.57	22
7CE94	23L385	23L449	None	7.38	Same	26.7	23.6	120:1	86.8	81.57	22
7CE95	23L385	23L450	None	7.38	Same	21.3	19.4	150:1	86.8	81.57	22
7CE96	23L385	23L451	None	7.38	Same	17.8	16.4	180:1	86.8	81.57	22
7CE97	23L385	23L452	None	7.38	Same	16.0	14.9	200:1	86.8	81.57	22
7CE98	23L385	23L442	23L453	8.84	Same	8.89	8.52	360:1	86.8	81.57	22
7CE99	23L385	23L445	23L453	8.84	Same	5.33	5.17	600:1	86.8	81.57	22
7CF00	23L385	23L446	23L453	8.84	Same	4.27	4.17	750:1	86.8	81.57	22
7CF28	23L385	23L447	23L453	8.84	Same	3.56	3.48	900:1	86.8	81.57	22
7CF29	23L385	23L449	23L453	8.84	Same	2.67	2.63	1200:1	86.8	81.57	22
7CF30	23L385	23L450	23L453	8.84	Same	2.13	2.11	1500:1	86.8	81.57	22
7CG00	23L385	23L451	23L453	8.84	Same	1.78	1.76	1800:1	86.8	81.57	22

SPECIFICATIONS

MODEL:
7CE74-E99,7CF00,
F28-F30,7CG00



DAYTON ELECTRIC MANUFACTURING CO.
100 GRAINGER PARKWAY
LAKE FOREST, IL 60045 USA