

## COMMERCIAL LOW SOUND HAND DRYERS

### TECHNICAL data sheet

### COMMERCIAL LOW SOUND HAND DRYERS

Extremely low sound level. Excellent for light traffic and sound sensitive facilities. Long-life brushless motor, so no need for brush replacement. Internal thermostat for auto-off safety. Tamper resistant screws lock cover securely to base.



5W634,  
5W635

6H010

### PRODUCT FEATURES AND BENEFITS

- Automatic or push-button operation
- 30 second dry time
- Low sound level
- Durable and vandal resistant
- Classic style design

### DESIGN FEATURES

#### DRYER

- Quiet induction motor
- Easy maintenance brushless motor
- Automatic or push-button operation; Surface or recess mounted
- Durable and vandal resistant

#### DESIGN FEATURES

- Automatic unit - Activated by infrared sensor, automatic drying cycle.
- Push-button unit - timer shall be micro-chip based and microswitch activated.
- Thermally-protected, induction motor operating at 3,200 RPM
- Delivering up to 98 CFM air flow at a velocity of 5,300 LFM (60 MPH)

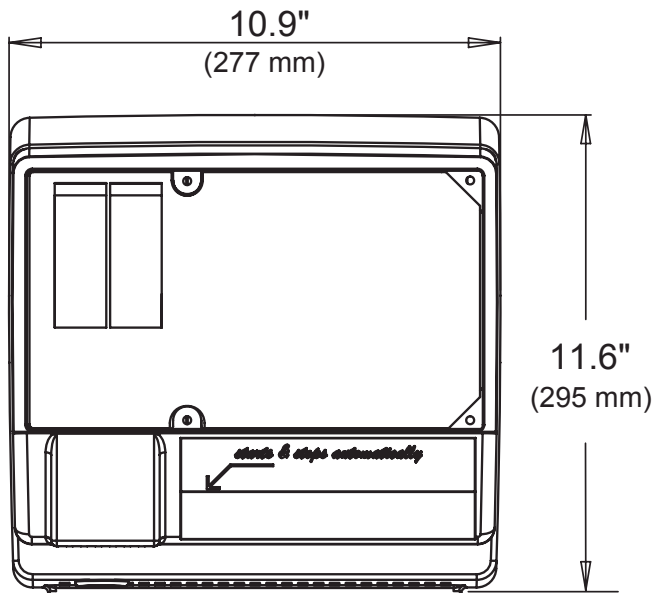
### PRODUCT SPECIFICATIONS

	110-120 V	208-230 V
<b>Amps</b>	17	8.5
<b>Watts</b>	2000	2000
<b>Hz</b>	60 Hz	60 Hz

### DRYER DIMENSIONS:

Unit Size (HxWxD) - 10.9" x 11.6" x 7.5"  
 Unit Weight - Automatic 14 lbs, Push-button 13.6 lbs  
 Shipping Size (HxWxD) - 13" x 12" x 9.3"  
 Shipping Weight - Automatic 13.6 lbs, Push-button 15.3 lbs

## PRODUCT DIMENSION DRAWINGS



## CERTIFICATION APPROVED



SKU NO.	NOZZLE TYPE	COVER MATERIAL	COVER FINISH	OPERATION	VOLTAGE	AMPS	DRY TIME
<b>DAYTON COMMERCIAL LOW SOUND HAND DRYER</b>							
<b>5W634</b>	Fixed	Aluminum	Brushed Chrome	Push Button	120 V	17	30 sec.
<b>5W635</b>	Fixed	Aluminum	Brushed Chrome	Push Button	208/230 V	7.5/8.5	30 sec.
<b>6H010</b>	Fixed	Aluminum	Brushed Chrome	Automatic	120 V	17	30 sec.

Find it at Grainger.

Call or visit your local branch or go to [grainger.com/dayton](http://grainger.com/dayton) for complete product line information.

**Dayton**<sup>®</sup>