



DC MOTOR



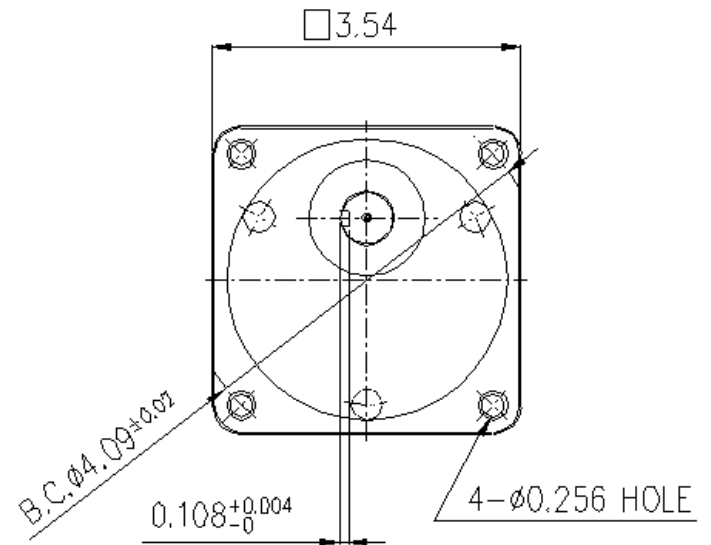
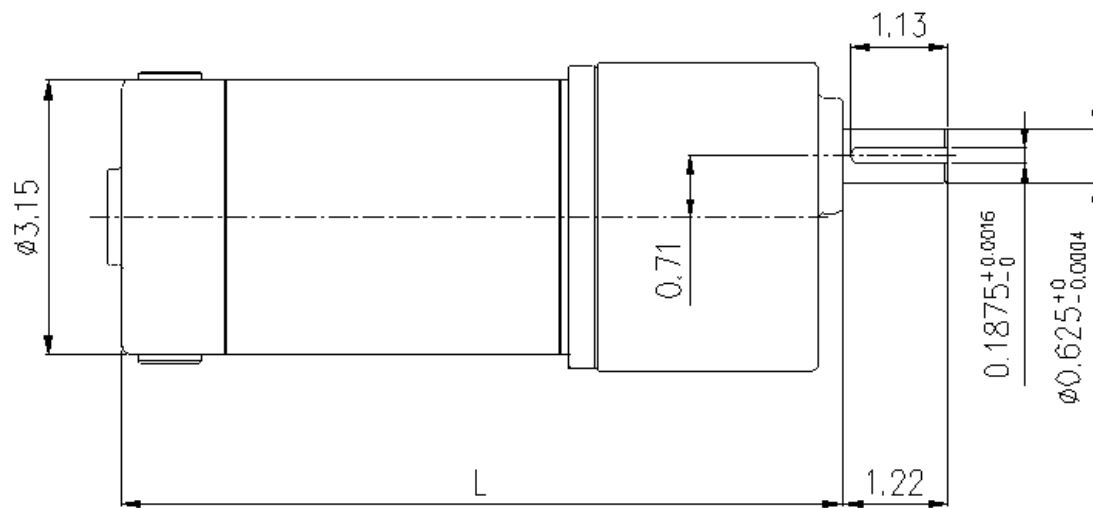
PARALLEL GEARBOX

ASSEMBLY INFO

MODEL:
7CN04-N27



DAYTON ELECTRIC MANUFACTURING CO.
100 GRAINGER PARKWAY
LAKE FOREST, IL 60045 USA

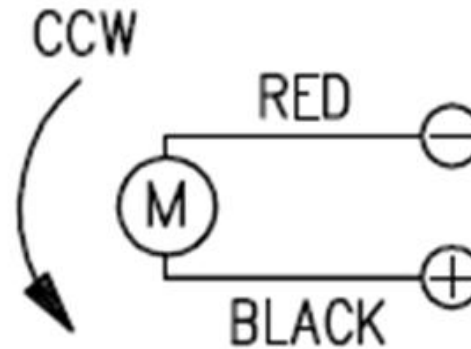
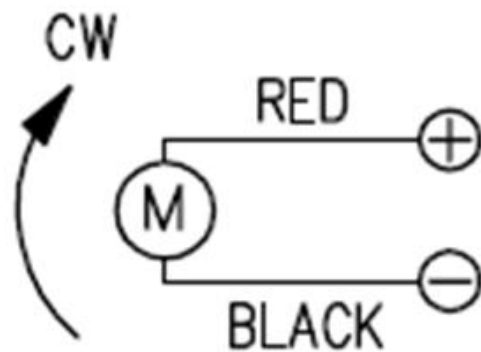


OUTLINE DRAWING

MODEL:
7CN04-N27




DAYTON ELECTRIC MANUFACTURING CO.
100 GRAINGER PARKWAY
LAKE FOREST, IL 60045 USA



NOTE:

1. THIS MOTOR HAS A 1.0 FORM FACTOR (FF) RATING, SO THE MOTOR SUPPLY MUST HAVE THE SAME RATING.
2. USING A MOTOR SUPPLY WHICH HAS A HIGHER FF RATING WILL OVERHEAT THE MOTOR.

HP: 1/12	Watt: 60	Speed: 2650 RPM	Volt: 12 DC	FLA: 7.9	FF: 1.0	Capacitor Value: None
WIRE DIAGRAM	MODEL: 7CN04-N27		 DAYTON ELECTRIC MANUFACTURING CO. 100 GRAINGER PARKWAY LAKE FOREST, IL 60045 USA			
Revision Date: 11-21-2012						Page 3 of 4

7-Combo No.	Motor SKU	Gearbox SKU	Length Less Shaft "L" Dimension (IN)	Shaft Rotation with Respect to Motor Shaft	No Load Speed (RPM)	Estimated Full Load Speed (RPM)	Gear Box Ratio	Max. Torque (IN-LB)	Max. Over Hung Load (LB)	Max. Thrust Load (LB)
7CN04	23L394	23L540	8.50	Same	1000	883	3:1	4.65	99.2	33
7CN05	23L394	23L541	8.50	Same	833	736	3.6:1	5.58	99.2	33
7CN06	23L394	23L542	8.50	Same	600	530	5:1	7.75	99.2	33
7CN07	23L394	23L543	8.50	Same	500	442	6:1	9.30	99.2	33
7CN08	23L394	23L544	8.50	Same	400	353	7.5:1	11.6	99.2	33
7CN09	23L394	23L545	8.50	Same	333	294	9:1	13.9	99.2	33
7CN10	23L394	23L546	8.50	Same	300	265	10:1	15.5	99.2	33
7CN11	23L394	23L547	8.50	Opposite	240	212	12.5:1	17.5	114.6	33
7CN12	23L394	23L548	8.50	Opposite	200	177	15:1	20.9	114.6	33
7CN13	23L394	23L549	8.50	Opposite	167	147	18:1	25.1	114.6	33
7CN14	23L394	23L550	8.50	Opposite	150	133	20:1	27.9	114.6	33
7CN15	23L394	23L551	8.50	Same	120	106	25:1	31.6	132.3	33
7CN16	23L394	23L552	8.50	Same	100	88.3	30:1	37.9	132.3	33
7CN17	23L394	23L553	8.50	Same	83.3	73.6	36:1	45.4	132.3	33
7CN18	23L394	23L554	8.50	Same	75.0	66.3	40:1	50.5	132.3	33
7CN19	23L394	23L555	8.50	Same	60.0	53.0	50:1	63.1	132.3	33
7CN20	23L394	23L556	8.50	Same	50.0	44.2	60:1	75.7	132.3	33
7CN21	23L394	23L557	8.50	Opposite	40.0	35.3	75:1	84.6	132.3	33
7CN22	23L394	23L558	8.50	Opposite	33.3	29.4	90:1	101.6	132.3	33
7CN23	23L394	23L559	8.50	Opposite	30.0	26.5	100:1	112.9	132.3	33
7CN24	23L394	23L560	8.50	Opposite	25.0	22.1	120:1	135.4	132.3	33
7CN25	23L394	23L561	8.50	Opposite	20.0	17.7	150:1	169.3	132.3	33
7CN26	23L394	23L562	8.50	Opposite	16.7	15.0	180:1	173.6	132.3	33
7CN27	23L394	23L563	8.50	Opposite	15.0	13.6	200:1	173.6	132.3	33

SPECIFICATIONS

MODEL:
7CN04-N27



DAYTON ELECTRIC MANUFACTURING CO.
100 GRAINGER PARKWAY
LAKE FOREST, IL 60045 USA