



DC MOTOR



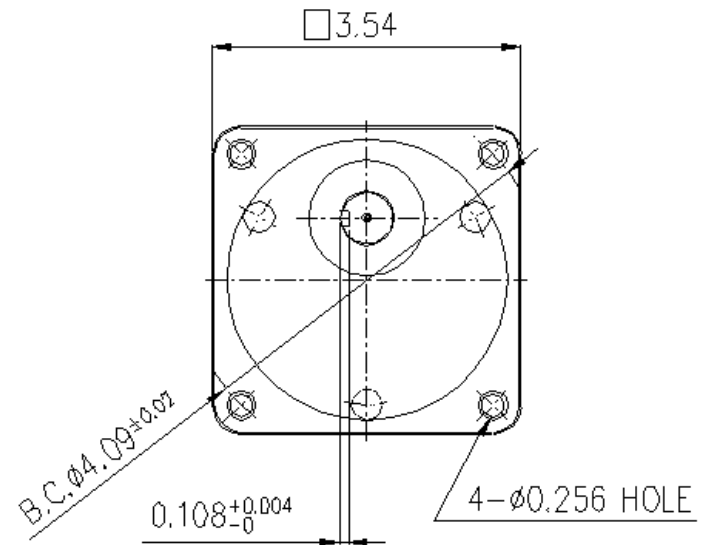
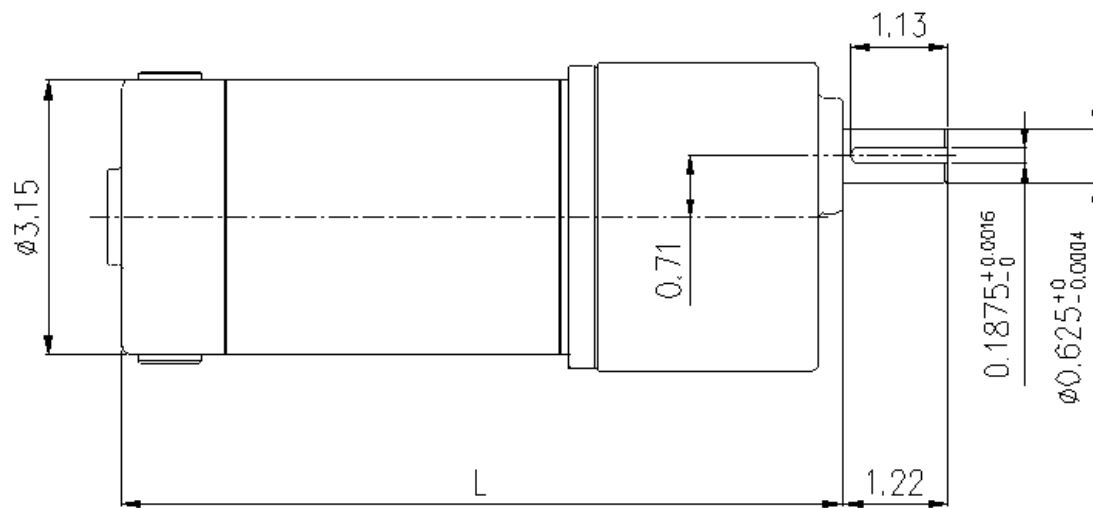
PARALLEL GEARBOX

**ASSEMBLY INFO**

MODEL:  
7CN28-N51



DAYTON ELECTRIC MANUFACTURING CO.  
100 GRAINGER PARKWAY  
LAKE FOREST, IL 60045 USA

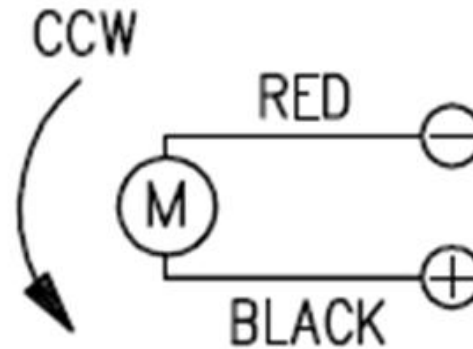
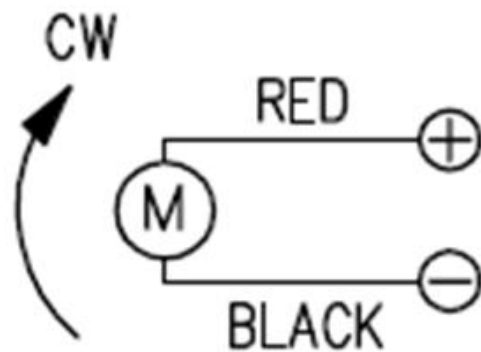


**OUTLINE DRAWING**

**MODEL:**  
7CN28-N51




DAYTON ELECTRIC MANUFACTURING  
CO.  
100 GRAINGER PARKWAY  
LAKE FOREST, IL 60045 USA



NOTE:

1. THIS MOTOR HAS A 1.0 FORM FACTOR (FF) RATING, SO THE MOTOR SUPPLY MUST HAVE THE SAME RATING.
2. USING A MOTOR SUPPLY WHICH HAS A HIGHER FF RATING WILL OVERHEAT THE MOTOR.

HP: 1/12	Watt: 60	Speed: 2800 RPM	Volt: 24 DC	FLA: 3.6	FF: 1.0	Capacitor Value: None
<b>WIRE DIAGRAM</b>	<b>MODEL:</b> 7CN28-N51		 <b>DAYTON ELECTRIC MANUFACTURING CO.</b> 100 GRAINGER PARKWAY LAKE FOREST, IL 60045 USA			
Revision Date: 11-21-2012						Page 3 of 4

7-Combo No.	Motor SKU	Gearbox SKU	Length Less Shaft "L" Dimension (IN)	Shaft Rotation with Respect to Motor Shaft	No Load Speed (RPM)	Estimated Full Load Speed (RPM)	Gear Box Ratio	Max. Torque (IN-LB)	Max. Over Hung Load (LB)	Max. Thrust Load (LB)
7CN28	23L395	23L540	8.50	Same	1000	933	3:1	4.6	99.2	33
7CN29	23L395	23L541	8.50	Same	833	778	3.6:1	5.6	99.2	33
7CN30	23L395	23L542	8.50	Same	600	560	5:1	7.7	99.2	33
7CN31	23L395	23L543	8.50	Same	500	467	6:1	9.3	99.2	33
7CN32	23L395	23L544	8.50	Same	400	373	7.5:1	11.6	99.2	33
7CN33	23L395	23L545	8.50	Same	333	311	9:1	13.9	99.2	33
7CN34	23L395	23L546	8.50	Same	300	280	10:1	15.5	99.2	33
7CN35	23L395	23L547	8.50	Opposite	240	224	12.5:1	17.5	114.6	33
7CN36	23L395	23L548	8.50	Opposite	200	187	15:1	20.9	114.6	33
7CN37	23L395	23L549	8.50	Opposite	167	156	18:1	25.1	114.6	33
7CN38	23L395	23L550	8.50	Opposite	150	140	20:1	27.9	114.6	33
7CN39	23L395	23L551	8.50	Same	120	112	25:1	31.6	132.3	33
7CN40	23L395	23L552	8.50	Same	100	93.3	30:1	37.9	132.3	33
7CN41	23L395	23L553	8.50	Same	83.3	77.8	36:1	45.4	132.3	33
7CN42	23L395	23L554	8.50	Same	75.0	70.0	40:1	50.5	132.3	33
7CN43	23L395	23L555	8.50	Same	60.0	56.0	50:1	63.1	132.3	33
7CN44	23L395	23L556	8.50	Same	50.0	46.7	60:1	75.7	132.3	33
7CN45	23L395	23L557	8.50	Opposite	40.0	37.3	75:1	84.6	132.3	33
7CN46	23L395	23L558	8.50	Opposite	33.3	31.1	90:1	101.6	132.3	33
7CN47	23L395	23L559	8.50	Opposite	30.0	28.0	100:1	112.9	132.3	33
7CN48	23L395	23L560	8.50	Opposite	25.0	23.3	120:1	135.4	132.3	33
7CN49	23L395	23L561	8.50	Opposite	20.0	18.7	150:1	169.3	132.3	33
7CN50	23L395	23L562	8.50	Opposite	16.7	15.7	180:1	173.6	132.3	33
7CN51	23L395	23L563	8.50	Opposite	15.0	14.2	200:1	173.6	132.3	33

## SPECIFICATIONS

**MODEL:**  
7CN28-N51



DAYTON ELECTRIC MANUFACTURING CO.  
100 GRAINGER PARKWAY  
LAKE FOREST, IL 60045 USA