



DC MOTOR



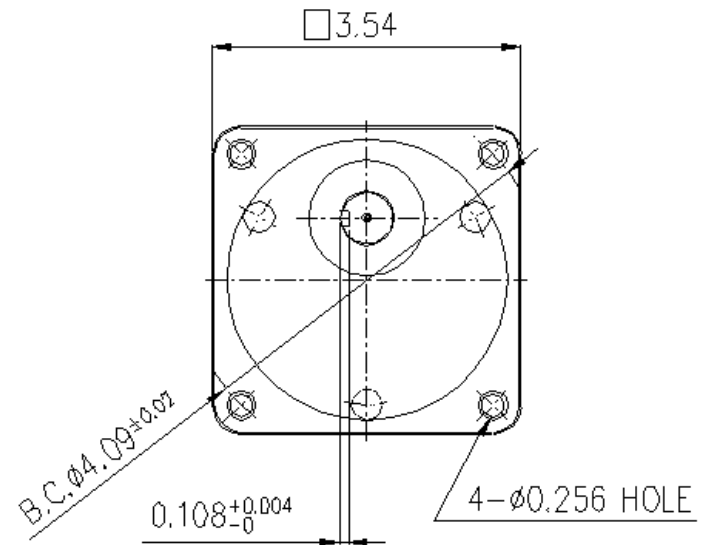
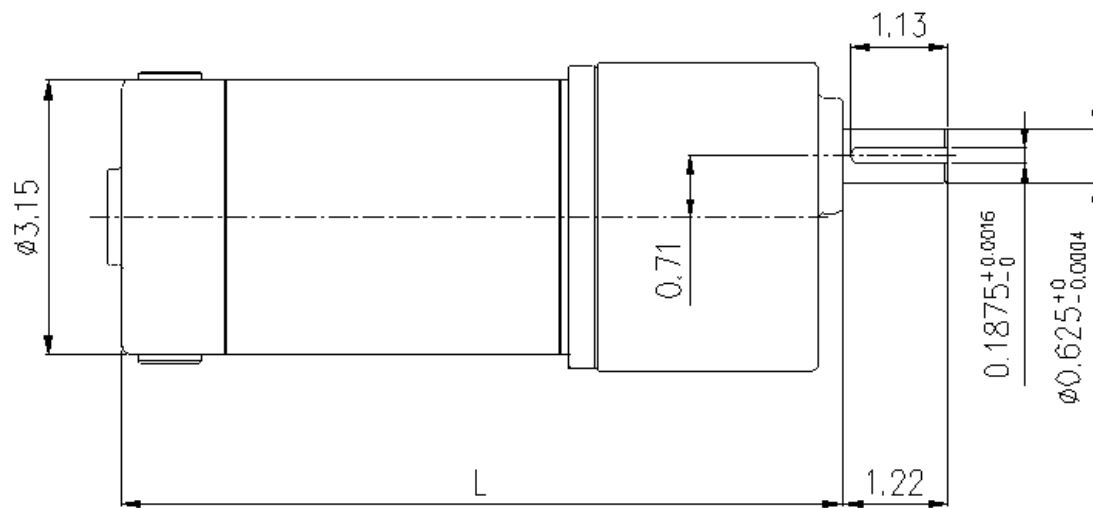
PARALLEL GEARBOX

ASSEMBLY INFO

MODEL:
7CN52-N75



DAYTON ELECTRIC MANUFACTURING CO.
100 GRAINGER PARKWAY
LAKE FOREST, IL 60045 USA

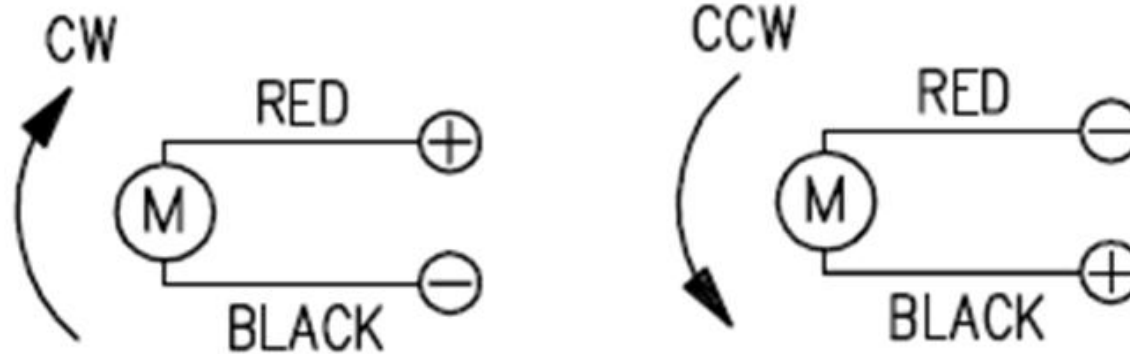


OUTLINE DRAWING

MODEL:
7CN52-N75




DAYTON ELECTRIC MANUFACTURING
CO.
100 GRAINGER PARKWAY
LAKE FOREST, IL 60045 USA



NOTES:

1. THIS MOTOR HAS A 1.0 FORM FACTOR (FF) RATING, SO THE MOTOR SUPPLY MUST HAVE THE SAME RATING.
2. USING A MOTOR SUPPLY WHICH HAS A HIGHER FF RATING WILL OVERHEAT THE MOTOR.
3. DO NOT USE SCR, 1.3 FF MOTOR SPEED CONTROL WITH THIS MOTOR.

HP: 1/12	Watt: 60	Speed: 2900 RPM	Volt: 90 DC	FLA: 1.0	FF: 1.0	Capacitor Value: None
WIRE DIAGRAM		MODEL:			DAYTON ELECTRIC MANUFACTURING CO. 100 GRAINGER PARKWAY LAKE FOREST, IL 60045 USA	
		7CN52-N75				
Revision Date: 11-21-2012						Page 3 of 4

7-Combo No.	Motor SKU	Gearbox SKU	Length Less Shaft "L" Dimension (IN)	Shaft Rotation with Respect to Motor Shaft	No Load Speed (RPM)	Estimated Full Load Speed (RPM)	Gear Box Ratio	Max. Torque (IN-LB)	Max. Over Hung Load (LB)	Max. Thrust Load (LB)
7CN52	23L396	23L540	8.50	Same	1033	967	3:1	4.65	99.2	33
7CN53	23L396	23L541	8.50	Same	861	806	3.6:1	5.58	99.2	33
7CN54	23L396	23L542	8.50	Same	620	580	5:1	7.75	99.2	33
7CN55	23L396	23L543	8.50	Same	517	483	6:1	9.30	99.2	33
7CN56	23L396	23L544	8.50	Same	413	387	7.5:1	11.6	99.2	33
7CN57	23L396	23L545	8.50	Same	344	322	9:1	13.9	99.2	33
7CN58	23L396	23L546	8.50	Same	310	290	10:1	15.5	99.2	33
7CN59	23L396	23L547	8.50	Opposite	248	232	12.5:1	17.5	114.6	33
7CN60	23L396	23L548	8.50	Opposite	207	193	15:1	20.9	114.6	33
7CN61	23L396	23L549	8.50	Opposite	172	161	18:1	25.1	114.6	33
7CN62	23L396	23L550	8.50	Opposite	155	145	20:1	27.9	114.6	33
7CN63	23L396	23L551	8.50	Same	124	116	25:1	31.6	132.3	33
7CN64	23L396	23L552	8.50	Same	103	96.7	30:1	37.9	132.3	33
7CN65	23L396	23L553	8.50	Same	86.1	80.6	36:1	45.4	132.3	33
7CN66	23L396	23L554	8.50	Same	77.5	72.5	40:1	50.5	132.3	33
7CN67	23L396	23L555	8.50	Same	62.0	58.0	50:1	63.1	132.3	33
7CN68	23L396	23L556	8.50	Same	51.7	48.3	60:1	75.7	132.3	33
7CN69	23L396	23L557	8.50	Opposite	41.3	38.7	75:1	84.6	132.3	33
7CN70	23L396	23L558	8.50	Opposite	34.4	32.2	90:1	101.6	132.3	33
7CN71	23L396	23L559	8.50	Opposite	31.0	29.0	100:1	112.9	132.3	33
7CN72	23L396	23L560	8.50	Opposite	25.8	24.2	120:1	135.4	132.3	33
7CN73	23L396	23L561	8.50	Opposite	20.7	19.3	150:1	169.3	132.3	33
7CN74	23L396	23L562	8.50	Opposite	17.2	16.2	180:1	173.6	132.3	33
7CN75	23L396	23L563	8.50	Opposite	15.5	14.7	200:1	173.6	132.3	33

SPECIFICATIONS

MODEL:
7CN52-N75



DAYTON ELECTRIC MANUFACTURING CO.
100 GRAINGER PARKWAY
LAKE FOREST, IL 60045 USA