



DC MOTOR



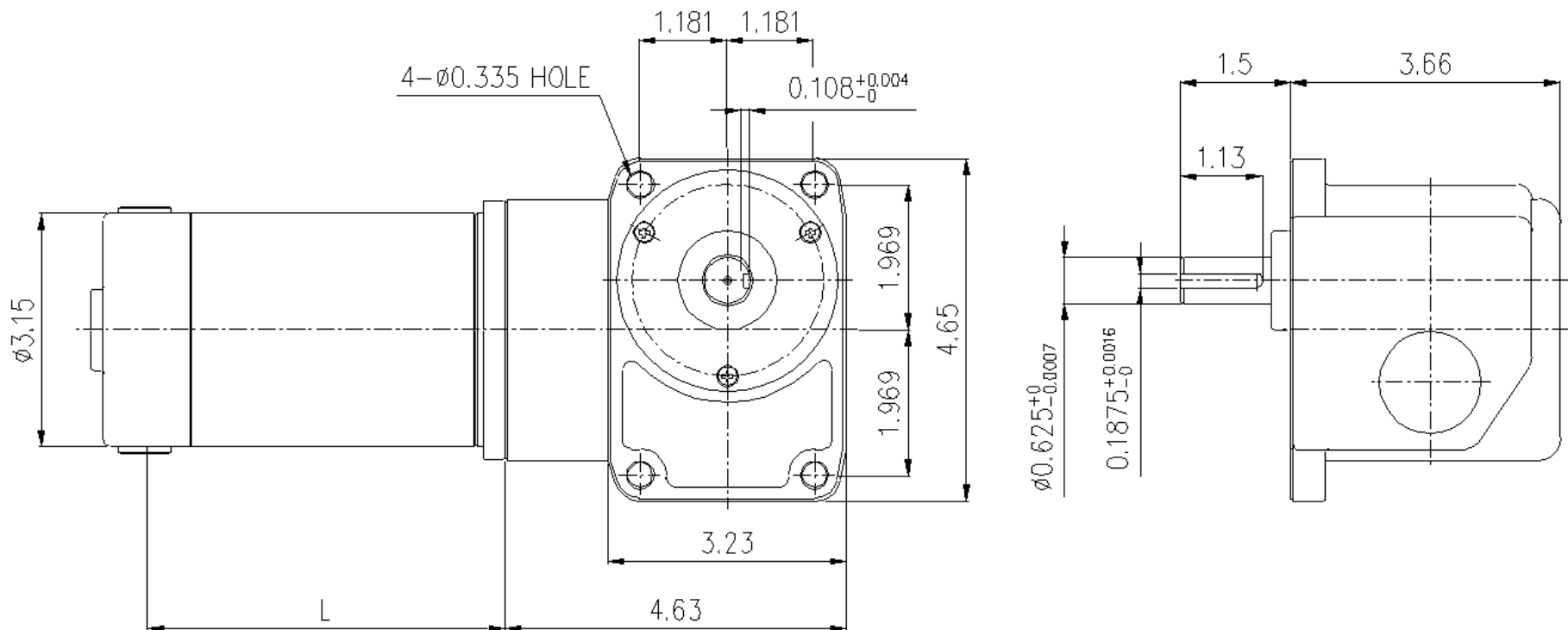
RIGHT ANGLE GEARBOX

ASSEMBLY INFO

MODEL:
7CR16-R35



DAYTON ELECTRIC MANUFACTURING CO.
100 GRAINGER PARKWAY
LAKE FOREST, IL 60045 USA



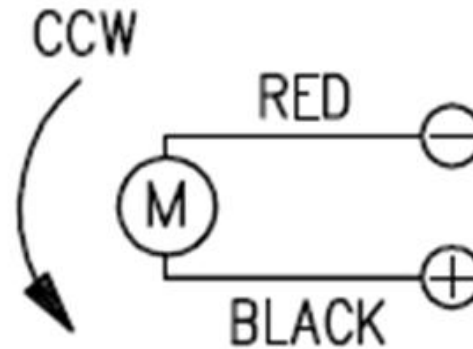
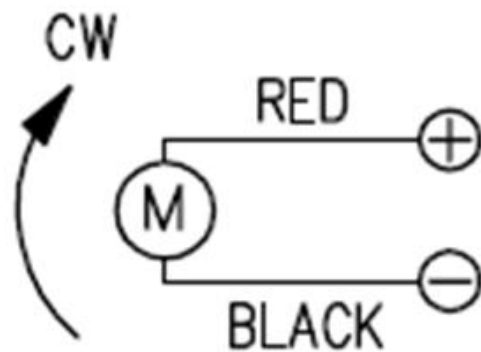
OUTLINE DRAWING

MODEL:

7CR16-R35




**DAYTON ELECTRIC MANUFACTURING
CO.
100 GRAINGER PARKWAY
LAKE FOREST, IL 60045 USA**



NOTE:

1. THIS MOTOR HAS A 1.0 FORM FACTOR (FF) RATING, SO THE MOTOR SUPPLY MUST HAVE THE SAME RATING.
2. USING A MOTOR SUPPLY WHICH HAS A HIGHER FF RATING WILL OVERHEAT THE MOTOR.

HP: 1/12	Watt: 60	Speed: 2800 RPM	Volt: 24 DC	FLA: 3.6	FF: 1.0	Capacitor Value: None
WIRE DIAGRAM			MODEL:			DAYTON ELECTRIC MANUFACTURING CO. 100 GRAINGER PARKWAY LAKE FOREST, IL 60045 USA
			7CR16-R35			
Revision Date: 11-21-2012						Page 3 of 4

7-Combo No.	Motor SKU	Gearbox SKU	"L" Dimension (IN)	Shaft Rotation with Respect to Motor Shaft	No Load Speed (RPM)	Estimated Full Load Speed (RPM)	Gear Box Ratio	Max. Torque (IN-LB)	Max. Over Hung Load (LB)	Max. Thrust Load (LB)
7CR16	23L395	23L494	5.61	Opposite	1000	933	3:1	3.69	112.4	56.2
7CR17	23L395	23L495	5.61	Opposite	833	778	3.6:1	4.43	112.4	56.2
7CR18	23L395	23L496	5.61	Opposite	600	560	5:1	6.16	112.4	56.2
7CR19	23L395	23L497	5.61	Opposite	500	467	6:1	7.39	112.4	56.2
7CR20	23L395	23L498	5.61	Opposite	400	373	7.5:1	9.23	112.4	56.2
7CR21	23L395	23L499	5.61	Opposite	333	311	9:1	11.1	112.4	56.2
7CR22	23L395	23L501	5.61	Opposite	240	224	12.5:1	15.4	134.89	56.2
7CR23	23L395	23L502	5.61	Opposite	200	187	15:1	18.5	134.89	56.2
7CR24	23L395	23L503	5.61	Opposite	167	156	18:1	22.2	134.89	56.2
7CR25	23L395	23L504	5.61	Opposite	120	112	25:1	30.8	134.89	56.2
7CR26	23L395	23L505	5.61	Opposite	100	93.3	30:1	32.6	157.37	56.2
7CR27	23L395	23L506	5.61	Opposite	83.3	77.8	36:1	39.1	157.37	56.2
7CR28	23L395	23L507	5.61	Opposite	60.0	56.0	50:1	54.3	157.37	56.2
7CR29	23L395	23L508	5.61	Opposite	50.0	46.7	60:1	65.2	157.37	56.2
7CR30	23L395	23L509	5.61	Opposite	40.0	37.3	75:1	81.5	157.37	56.2
7CR31	23L395	23L510	5.61	Opposite	33.3	31.1	90:1	97.8	157.37	56.2
7CR32	23L395	23L511	5.61	Opposite	30.0	28.0	100:1	108.6	157.37	56.2
7CR33	23L395	23L512	5.61	Opposite	25.0	23.3	120:1	108.6	157.37	56.2
7CR34	23L395	23L513	5.61	Opposite	20.0	18.7	150:1	135.8	157.37	56.2
7CR35	23L395	23L514	5.61	Opposite	16.7	15.6	180:1	162.9	157.37	56.2

SPECIFICATIONS

MODEL:

7CR16-R35



DAYTON ELECTRIC MANUFACTURING CO.
100 GRAINGER PARKWAY
LAKE FOREST, IL 60045 USA