



DC MOTOR



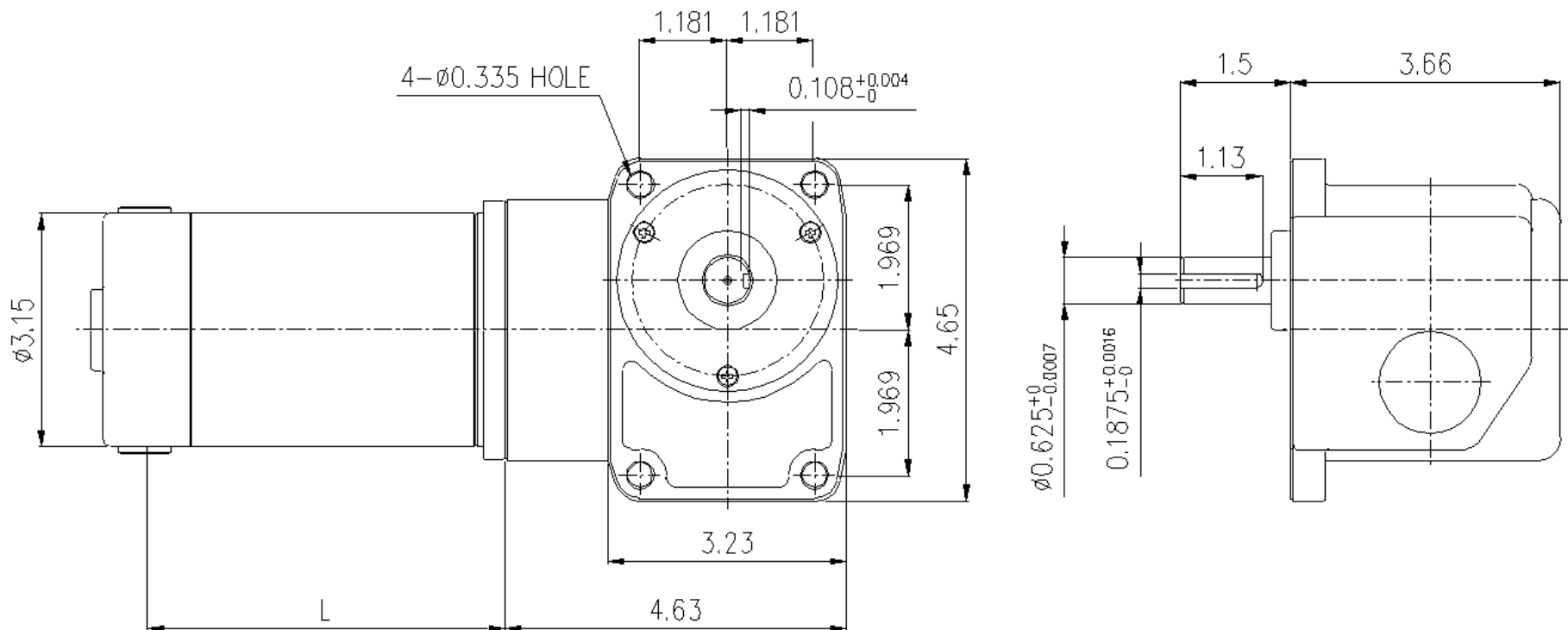
RIGHT ANGLE GEARBOX

ASSEMBLY INFO

MODEL:
7CR36-R55



DAYTON ELECTRIC MANUFACTURING CO.
100 GRAINGER PARKWAY
LAKE FOREST, IL 60045 USA



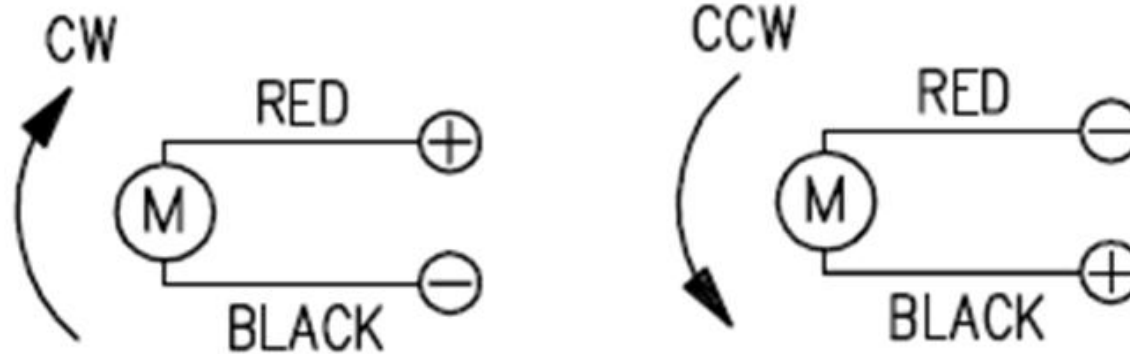
OUTLINE DRAWING

MODEL:

7CR36-R55




DAYTON ELECTRIC MANUFACTURING CO.
 100 GRAINGER PARKWAY
 LAKE FOREST, IL 60045 USA



NOTES:

1. THIS MOTOR HAS A 1.0 FORM FACTOR (FF) RATING, SO THE MOTOR SUPPLY MUST HAVE THE SAME RATING.
2. USING A MOTOR SUPPLY WHICH HAS A HIGHER FF RATING WILL OVERHEAT THE MOTOR.
3. DO NOT USE SCR, 1.3 FF MOTOR SPEED CONTROL WITH THIS MOTOR.

HP: 1/12	Watt: 60	Speed: 2900 RPM	Volt: 90 DC	FLA: 1.0	FF: 1.0	Capacitor Value: None
WIRE DIAGRAM			MODEL:		DAYTON ELECTRIC MANUFACTURING CO. 100 GRAINGER PARKWAY LAKE FOREST, IL 60045 USA	
			7CR36-R55			
Revision Date: 11-21-2012						Page 3 of 4

7-Combo No.	Motor SKU	Gearbox SKU	"L" Dimension (IN)	Shaft Rotation with Respect to Motor Shaft	No Load Speed (RPM)	Estimated Full Load Speed (RPM)	Gear Box Ratio	Max. Torque (IN-LB)	Max. Over Hung Load (LB)	Max. Thrust Load (LB)
7CR36	23L396	23L494	5.61	Opposite	1033	967	3:1	3.9	112.4	56.2
7CR37	23L396	23L495	5.61	Opposite	861	806	3.6:1	4.7	112.4	56.2
7CR38	23L396	23L496	5.61	Opposite	620	580	5:1	6.5	112.4	56.2
7CR39	23L396	23L497	5.61	Opposite	517	483	6:1	7.8	112.4	56.2
7CR40	23L396	23L498	5.61	Opposite	413	387	7.5:1	9.8	112.4	56.2
7CR41	23L396	23L499	5.61	Opposite	344	322	9:1	11.7	112.4	56.2
7CR42	23L396	23L501	5.61	Opposite	248	232	12.5:1	16.3	134.89	56.2
7CR43	23L396	23L502	5.61	Opposite	207	193	15:1	19.5	134.89	56.2
7CR44	23L396	23L503	5.61	Opposite	172	161	18:1	23.4	134.89	56.2
7CR45	23L396	23L504	5.61	Opposite	124	116	25:1	32.5	134.89	56.2
7CR46	23L396	23L505	5.61	Opposite	103	96.7	30:1	34.4	157.37	56.2
7CR47	23L396	23L506	5.61	Opposite	86.1	80.6	36:1	41.3	157.37	56.2
7CR48	23L396	23L507	5.61	Opposite	62.0	58.0	50:1	57.4	157.37	56.2
7CR49	23L396	23L508	5.61	Opposite	51.7	48.3	60:1	68.9	157.37	56.2
7CR50	23L396	23L509	5.61	Opposite	41.3	38.7	75:1	86.1	157.37	56.2
7CR51	23L396	23L510	5.61	Opposite	34.4	32.2	90:1	103.3	157.37	56.2
7CR52	23L396	23L511	5.61	Opposite	31.0	29.0	100:1	114.8	157.37	56.2
7CR53	23L396	23L512	5.61	Opposite	25.8	24.2	120:1	114.8	157.37	56.2
7CR54	23L396	23L513	5.61	Opposite	20.7	19.3	150:1	143.5	157.37	56.2
7CR55	23L396	23L514	5.61	Opposite	17.2	16.1	180:1	172.2	157.37	56.2

SPECIFICATIONS

MODEL:

7CR36-R55



DAYTON ELECTRIC MANUFACTURING CO.
100 GRAINGER PARKWAY
LAKE FOREST, IL 60045 USA