

AC PSC MOTOR WITH SPEED CONTROL



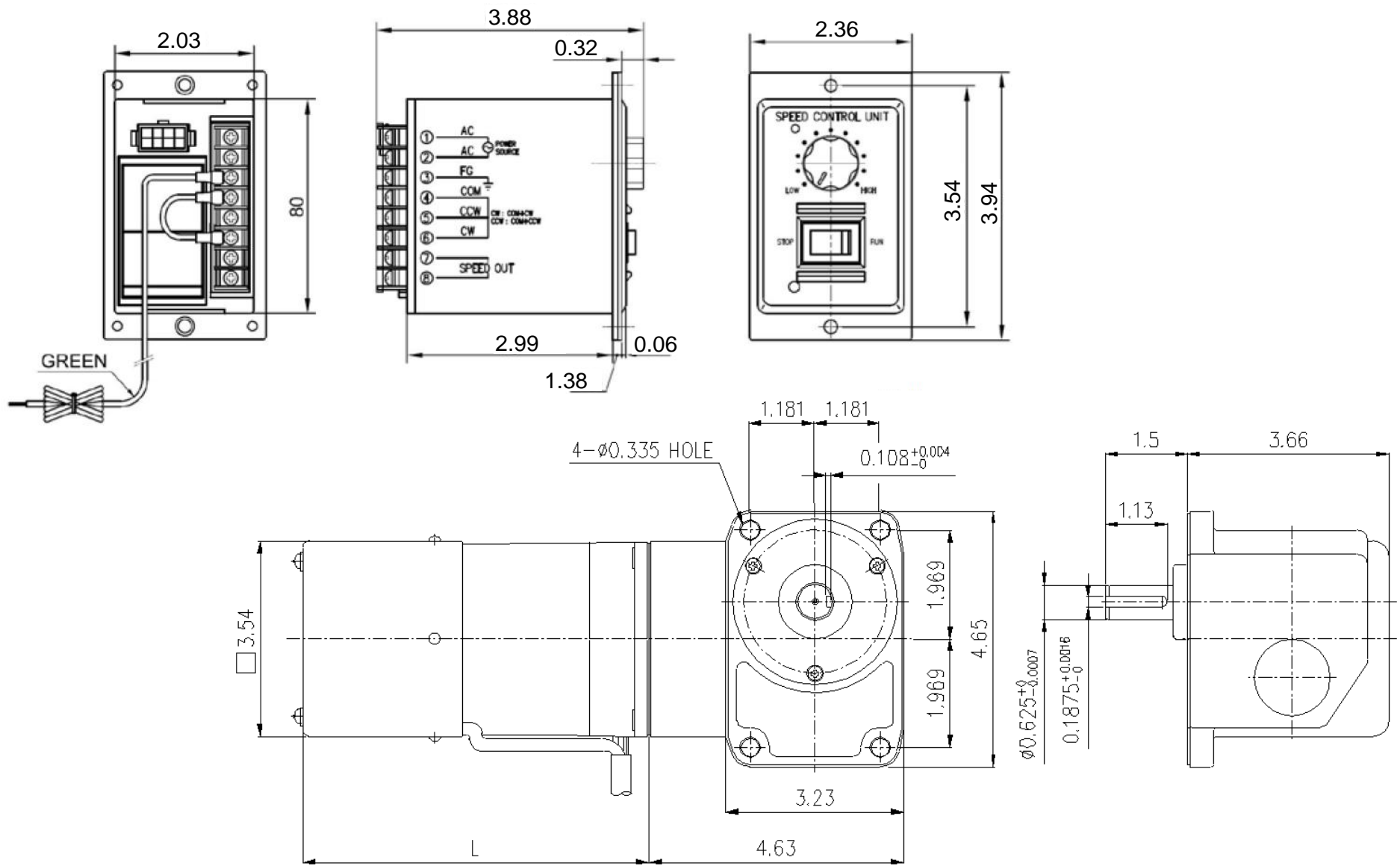
RIGHT ANGLE GEARBOX

ASSEMBLY INFO

MODEL:
7CP76-P95



DAYTON ELECTRIC MANUFACTURING CO.
100 GRAINGER PARKWAY
LAKE FOREST, IL 60045 USA



OUTLINE DRAWING

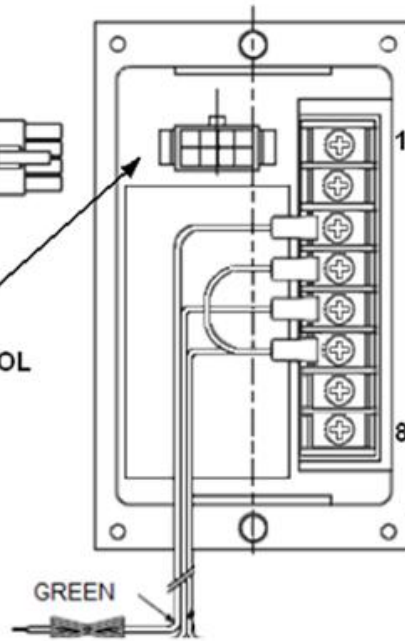
MODEL:
7CP76-P95



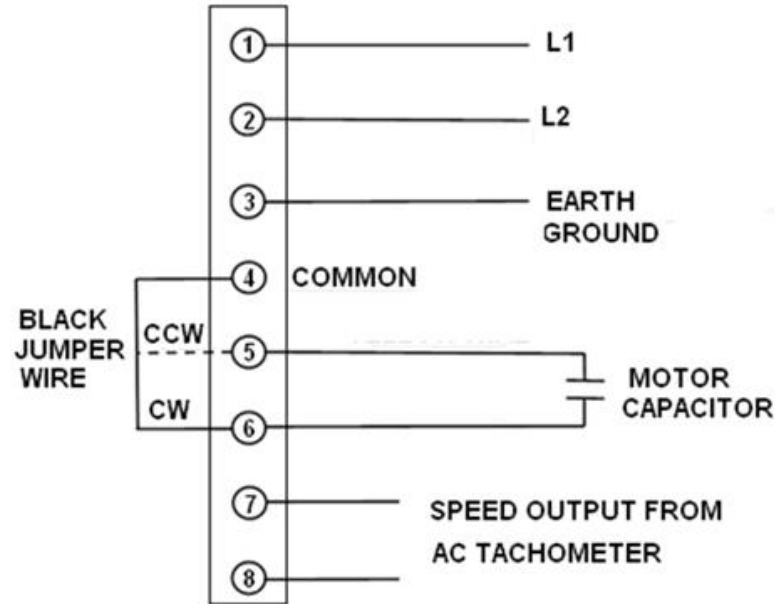
DAYTON ELECTRIC MANUFACTURING CO.
100 GRAINGER PARKWAY
LAKE FOREST, IL 60045 USA



MOTOR CABLE PLUGS INTO RECEPTACLE LOCATED ON BACK OF THE SPEED CONTROL



**SPEED CONTROL
TERMINAL BLOCK**



MOTOR IS SHOWN WIRED FOR CW ROTATION.
SWITCH THE WIRE JUMPER FROM TERMINAL 6 TO 5
FOR CCW ROTATION.

HP: 1/12 Watt: 60 Speed: 1600 RPM

Volt: 220 VAC / 1 Phase FLA: 0.48 Freq: 60 Hz

Capacitor Value: 4 MFD / 450 VAC

WIRE DIAGRAM

MODEL:
7CP76-P95



DAYTON ELECTRIC MANUFACTURING CO.
100 GRAINGER PARKWAY
LAKE FOREST, IL 60045 USA

7-Combo No.	Motor SKU	Gearbox SKU	Speed Control SKU	"L" Dimension (IN)	Shaft Rotation with Respect to Motor Shaft	No Load Speed (RPM)	Estimated Full Load Speed (RPM)	Gear Box Ratio	Max. Torque (IN-LB)	Max. Over Hung Load (LB)	Max. Thrust Load (LB)
7CP76	23L393	23L494	23L583	6.29	Opposite	600	533	3:1	6.27	112.4	56.2
7CP77	23L393	23L495	23L583	6.29	Opposite	500	444	3.6:1	7.52	112.4	56.2
7CP78	23L393	23L496	23L583	6.29	Opposite	360	320	5:1	10.4	112.4	56.2
7CP79	23L393	23L497	23L583	6.29	Opposite	300	266	6:1	12.5	112.4	56.2
7CP80	23L393	23L498	23L583	6.29	Opposite	240	213	7.5:1	15.7	112.4	56.2
7CP81	23L393	23L499	23L583	6.29	Opposite	200	177	9:1	18.8	112.4	56.2
7CP82	23L393	23L501	23L583	6.29	Opposite	144	128	12.5:1	26.1	134.89	56.2
7CP83	23L393	23L502	23L583	6.29	Opposite	120	106	15:1	31.3	134.89	56.2
7CP84	23L393	23L503	23L583	6.29	Opposite	100	88.8	18:1	37.6	134.89	56.2
7CP85	23L393	23L504	23L583	6.29	Opposite	72	64	25:1	52.2	134.89	56.2
7CP86	23L393	23L505	23L583	6.29	Opposite	60	53.3	30:1	55.3	157.37	56.2
7CP87	23L393	23L506	23L583	6.29	Opposite	50	44.4	36:1	66.4	157.37	56.2
7CP88	23L393	23L507	23L583	6.29	Opposite	36	32	50:1	92.2	157.37	56.2
7CP89	23L393	23L508	23L583	6.29	Opposite	30	26.6	60:1	110.6	157.37	56.2
7CP90	23L393	23L509	23L583	6.29	Opposite	24	21.3	75:1	138.2	157.37	56.2
7CP91	23L393	23L510	23L583	6.29	Opposite	20	17.7	90:1	165.9	157.37	56.2
7CP92	23L393	23L511	23L583	6.29	Opposite	18	16	100:1	177	157.37	56.2
7CP93	23L393	23L512	23L583	6.29	Opposite	15	13.4	120:1	177	157.37	56.2
7CP94	23L393	23L513	23L583	6.29	Opposite	12	10.7	150:1	177	157.37	56.2
7CP95	23L393	23L514	23L583	6.29	Opposite	10	8.9	180:1	177	157.37	56.2

SPECIFICATIONS

MODEL:
7CP76-P95



DAYTON ELECTRIC MANUFACTURING CO.
100 GRAINGER PARKWAY
LAKE FOREST, IL 60045 USA