

AC PSC MOTOR WITH
CONDUIT BOX



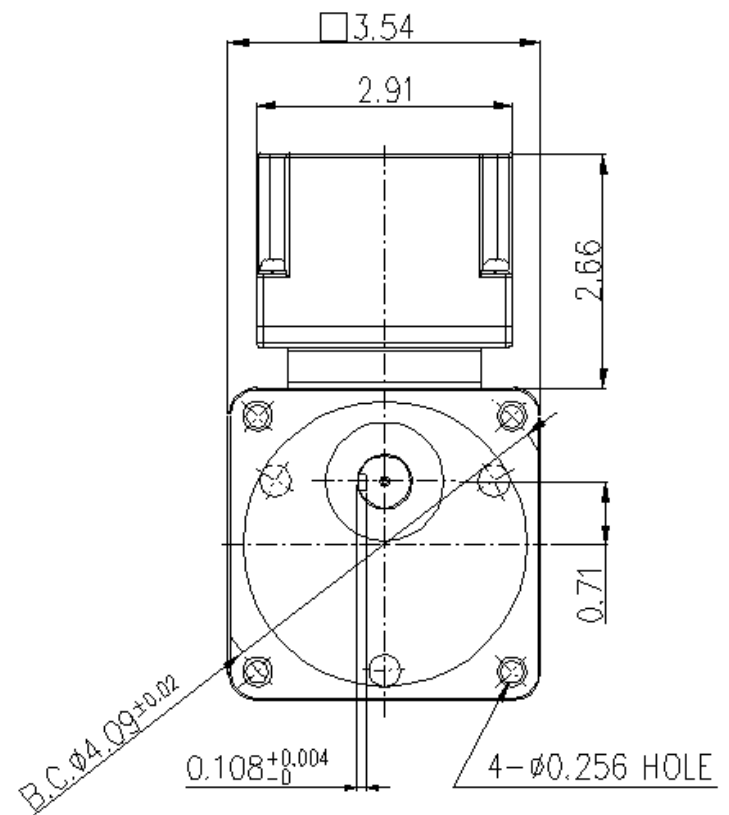
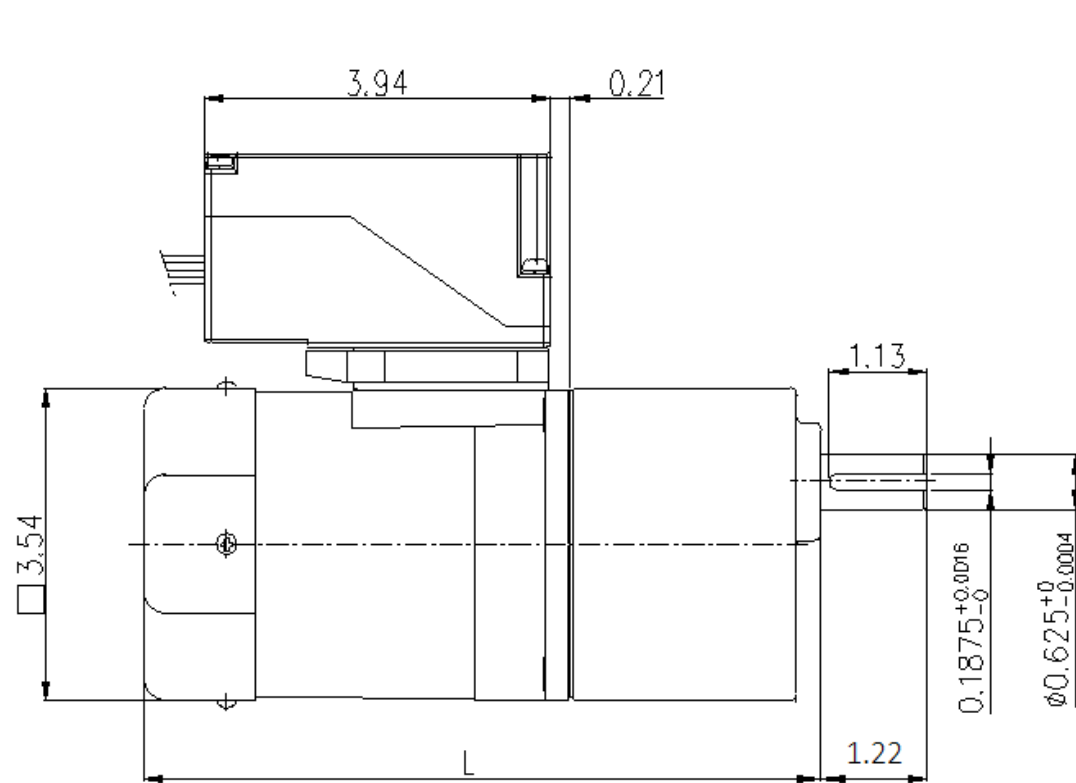
PARALLEL GEARBOX

ASSEMBLY INFO

MODEL:
7CK60-K83

Dayton®

DAYTON ELECTRIC MANUFACTURING CO.
100 GRAINGER PARKWAY
LAKE FOREST, IL 60045 USA



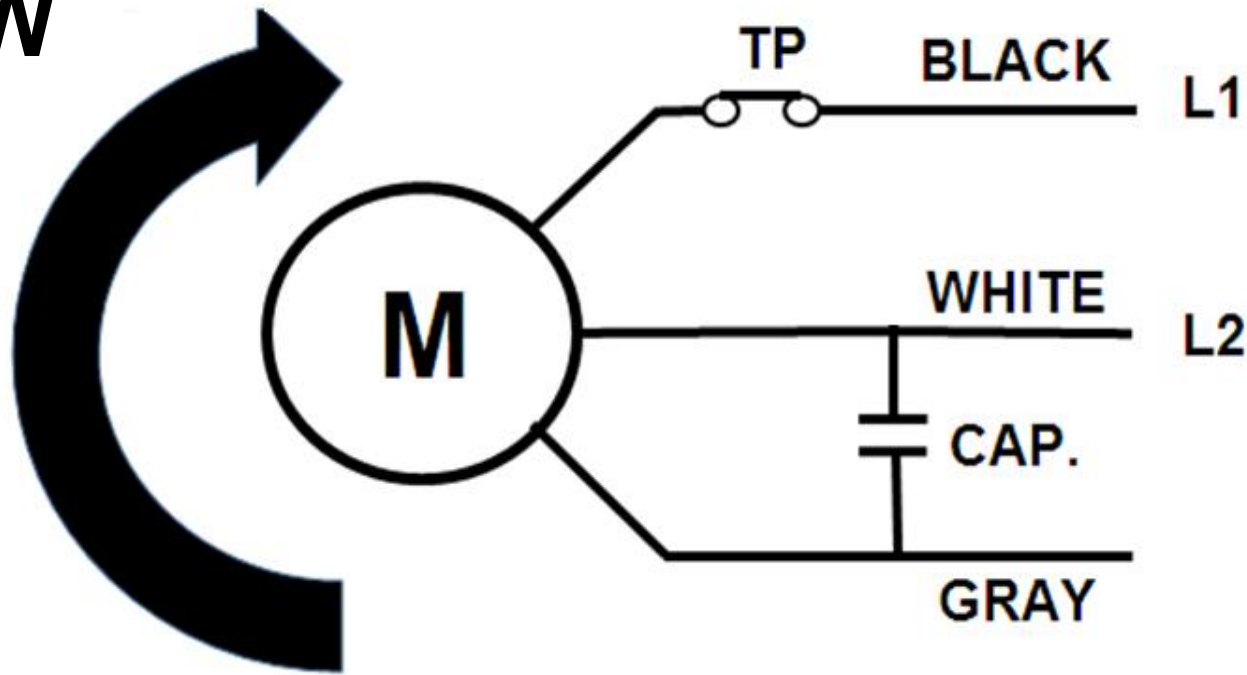
OUTLINE DRAWING

MODEL:
7CK60-K83



DAYTON ELECTRIC MANUFACTURING CO.
100 GRAINGER PARKWAY
LAKE FOREST, IL 60045 USA

CW



CW ROTATION SHOWN AT THE SHAFT END.
CONNECT L2 TO GRAY WIRE INSTEAD OF WHITE
WIRE TO REVERSE MOTOR DIRECTION.

HP: 1/12	Watt: 60	Speed: 1650 RPM	Volt: 115 VAC / 1 Phase	FLA: 1.08	Freq: 60 Hz	Capacitor Value: 18 MFD / 250 VAC
----------	----------	-----------------	-------------------------	-----------	-------------	-----------------------------------

WIRE DIAGRAM	MODEL:		DAYTON ELECTRIC MANUFACTURING CO. 100 GRAINGER PARKWAY LAKE FOREST, IL 60045 USA
	7CK60-K83		

Revision Date: 11-21-2012	Page 3 of 4
---------------------------	-------------

7-Combo No.	Motor SKU	Gearbox SKU	Length Less Shaft "L" Dimension (IN)	Shaft Rotation with Respect to Motor Shaft	No Load Speed (RPM)	Estimated Full Load Speed (RPM)	Gear Box Ratio	Max. Torque (IN-LB)	Max. Over Hung Load (LB)	Max. Thrust Load (LB)
7CK60	23L388	23L540	7.72	Same	600	550	3:1	7.5	99.2	33
7CK61	23L388	23L541	7.72	Same	500	458	3.6:1	9.0	99.2	33
7CK62	23L388	23L542	7.72	Same	360	330	5:1	12.4	99.2	33
7CK63	23L388	23L543	7.72	Same	300	275	6:1	14.9	99.2	33
7CK64	23L388	23L544	7.72	Same	240	220	7.5:1	18.7	99.2	33
7CK65	23L388	23L545	7.72	Same	200	183	9:1	22.4	99.2	33
7CK66	23L388	23L546	7.72	Same	180	165	10:1	24.9	99.2	33
7CK67	23L388	23L547	7.72	Opposite	144	132	12.5:1	28.0	114.6	33
7CK68	23L388	23L548	7.72	Opposite	120	110	15:1	33.6	114.6	33
7CK69	23L388	23L549	7.72	Opposite	100	91.7	18:1	40.4	114.6	33
7CK70	23L388	23L550	7.72	Opposite	90	82.5	20:1	44.9	114.6	33
7CK71	23L388	23L551	7.72	Same	72	66.0	25:1	50.7	132.3	33
7CK72	23L388	23L552	7.72	Same	60	55.0	30:1	60.8	132.3	33
7CK73	23L388	23L553	7.72	Same	50	45.8	36:1	73.0	132.3	33
7CK74	23L388	23L554	7.72	Same	45	41.2	40:1	81.1	132.3	33
7CK75	23L388	23L555	7.72	Same	36	33.0	50:1	101.4	132.3	33
7CK76	23L388	23L556	7.72	Same	30	27.5	60:1	121.7	132.3	33
7CK77	23L388	23L557	7.72	Opposite	24	22.0	75:1	135.9	132.3	33
7CK78	23L388	23L558	7.72	Opposite	20	18.3	90:1	163.1	132.3	33
7CK79	23L388	23L559	7.72	Opposite	18	16.9	100:1	173.6	132.3	33
7CK80	23L388	23L560	7.72	Opposite	15	14.2	120:1	173.6	132.3	33
7CK81	23L388	23L561	7.72	Opposite	12	11.5	150:1	173.6	132.3	33
7CK82	23L388	23L562	7.72	Opposite	10	9.6	180:1	173.6	132.3	33
7CK83	23L388	23L563	7.72	Opposite	9.0	8.7	200:1	173.6	132.3	33

SPECIFICATIONS

MODEL:
7CK60-K83



DAYTON ELECTRIC MANUFACTURING CO.
100 GRAINGER PARKWAY
LAKE FOREST, IL 60045 USA