

AC PSC MOTOR WITH  
ELECTROMAGNETIC BRAKE



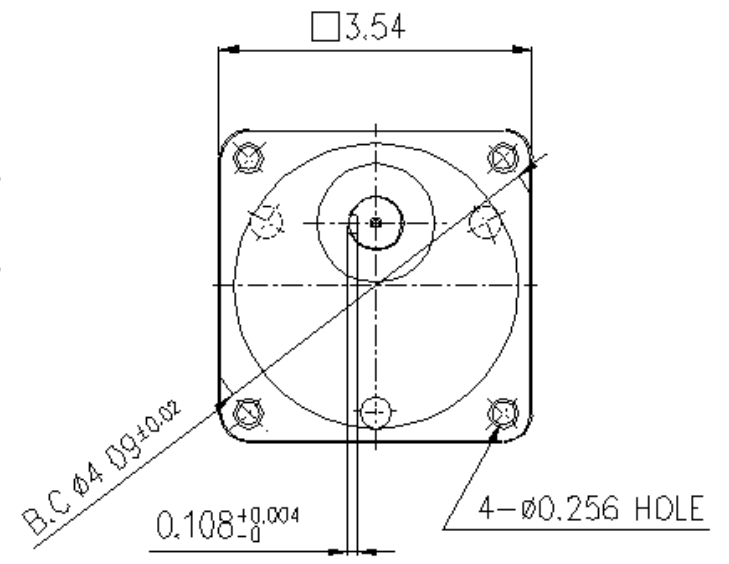
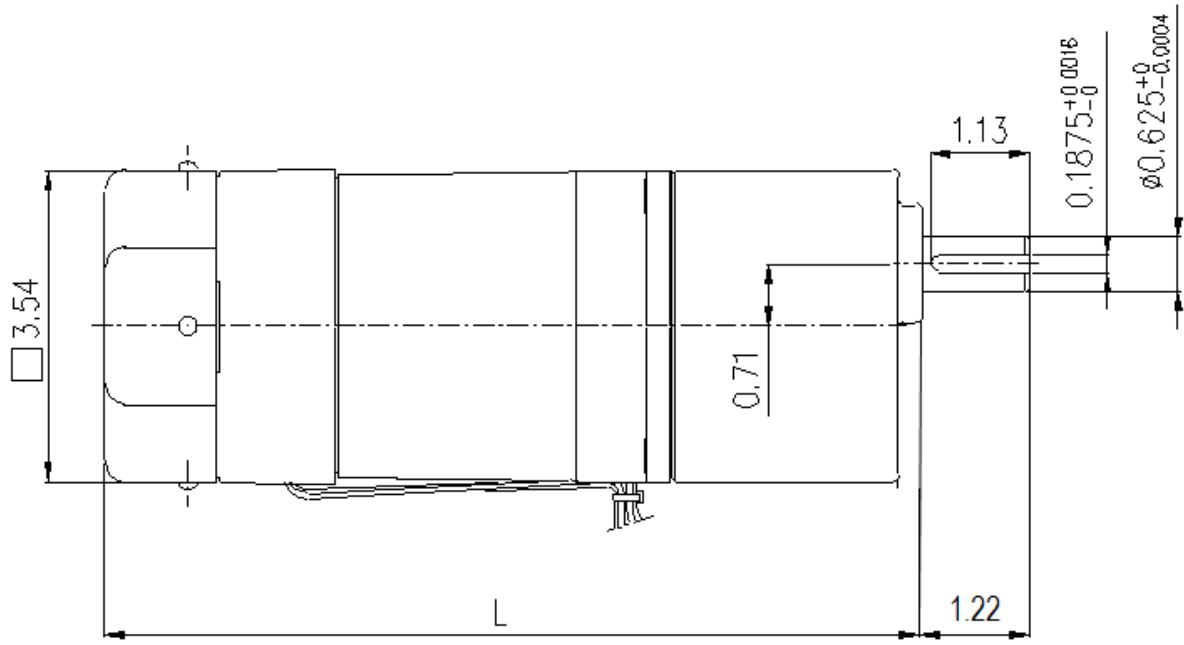
PARALLEL GEARBOX

## ASSEMBLY INFO

MODEL:  
7CL32-L55



DAYTON ELECTRIC MANUFACTURING CO.  
100 GRAINGER PARKWAY  
LAKE FOREST, IL 60045 USA



**OUTLINE DRAWING**

**MODEL:**  
7CL32-L55



DAYTON ELECTRIC MANUFACTURING CO.  
100 GRAINGER PARKWAY  
LAKE FOREST, IL 60045 USA



7-Combo No.	Motor SKU	Gearbox SKU	Length Less Shaft "L" Dimension (IN)	Shaft Rotation with Respect to Motor Shaft	No Load Speed (RPM)	Estimated Full Load Speed (RPM)	Gear Box Ratio	Max. Torque (IN-LB)	Max. Over Hung Load (LB)	Max. Thrust Load (LB)
7CL32	23L391	23L540	9.32	Same	600	550	3:1	7.5	99.2	33
7CL33	23L391	23L541	9.32	Same	500	458	3.6:1	9.0	99.2	33
7CL34	23L391	23L542	9.32	Same	360	330	5:1	12.4	99.2	33
7CL35	23L391	23L543	9.32	Same	300	275	6:1	14.9	99.2	33
7CL36	23L391	23L544	9.32	Same	240	220	7.5:1	18.7	99.2	33
7CL37	23L391	23L545	9.32	Same	200	183	9:1	22.4	99.2	33
7CL38	23L391	23L546	9.32	Same	180	165	10:1	24.9	99.2	33
7CL39	23L391	23L547	9.32	Opposite	144	132	12.5:1	28.0	114.6	33
7CL40	23L391	23L548	9.32	Opposite	120	110	15:1	33.6	114.6	33
7CL41	23L391	23L549	9.32	Opposite	100	91.7	18:1	40.4	114.6	33
7CL42	23L391	23L550	9.32	Opposite	90	82.5	20:1	44.9	114.6	33
7CL43	23L391	23L551	9.32	Same	72	66.0	25:1	50.7	132.3	33
7CL44	23L391	23L552	9.32	Same	60	55.0	30:1	60.8	132.3	33
7CL45	23L391	23L553	9.32	Same	50	45.8	36:1	73.0	132.3	33
7CL46	23L391	23L554	9.32	Same	45	41.2	40:1	81.1	132.3	33
7CL47	23L391	23L555	9.32	Same	36	33.0	50:1	101.4	132.3	33
7CL48	23L391	23L556	9.32	Same	30	27.5	60:1	121.7	132.3	33
7CL49	23L391	23L557	9.32	Opposite	24	22.0	75:1	135.9	132.3	33
7CL50	23L391	23L558	9.32	Opposite	20	18.3	90:1	163.1	132.3	33
7CL51	23L391	23L559	9.32	Opposite	18	16.9	100:1	173.6	132.3	33
7CL52	23L391	23L560	9.32	Opposite	15	14.2	120:1	173.6	132.3	33
7CL53	23L391	23L561	9.32	Opposite	12	11.5	150:1	173.6	132.3	33
7CL54	23L391	23L562	9.32	Opposite	10	9.6	180:1	173.6	132.3	33
7CL55	23L391	23L563	9.32	Opposite	9.0	8.7	200:1	173.6	132.3	33

## SPECIFICATIONS

**MODEL:**  
7CL32-L55



**DAYTON ELECTRIC MANUFACTURING CO.**  
100 GRAINGER PARKWAY  
LAKE FOREST, IL 60045 USA