

AC PSC MOTOR WITH  
CONDUIT BOX

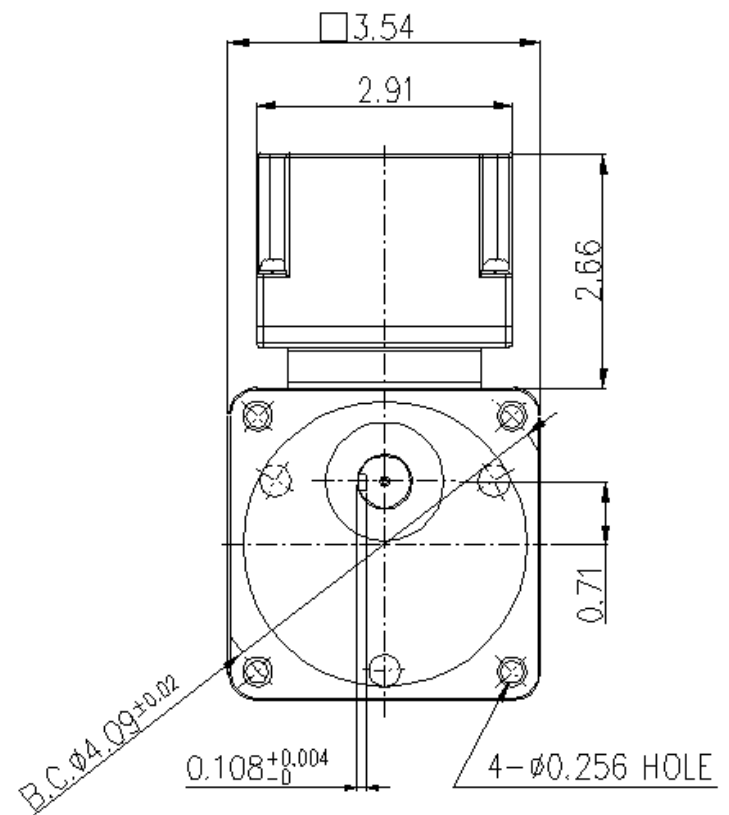
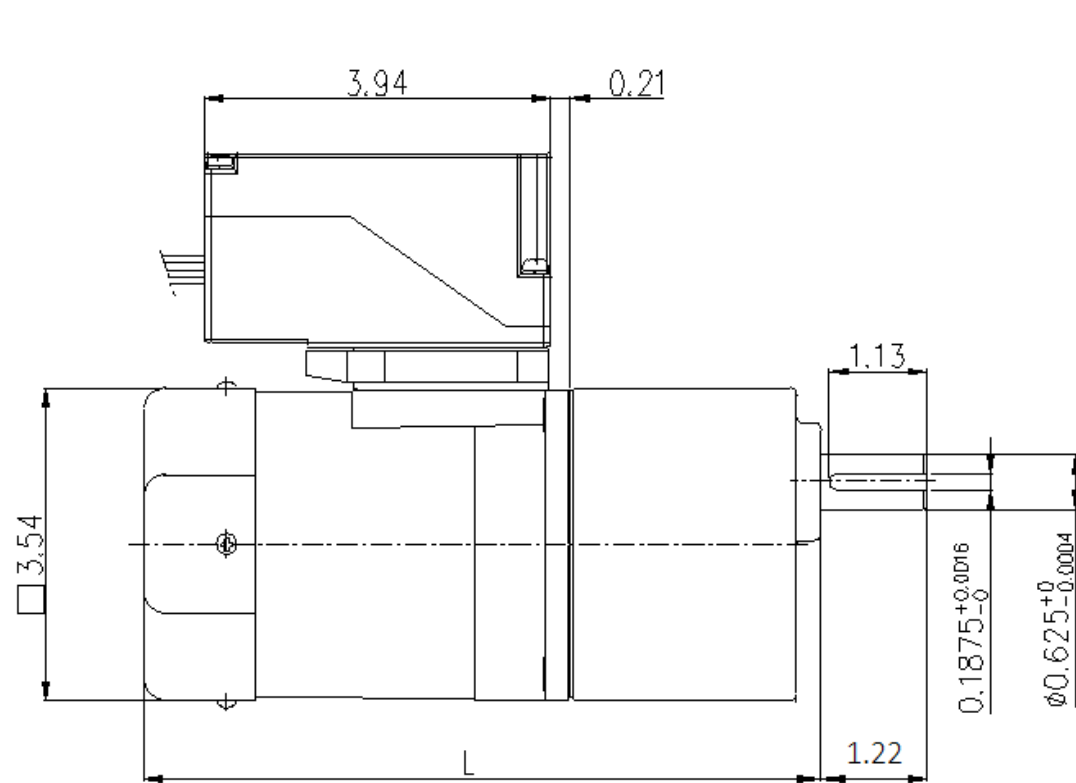
PARALLEL GEARBOX

## ASSEMBLY INFO

MODEL:  
7CR77-R97

**Dayton**®

DAYTON ELECTRIC MANUFACTURING CO.  
100 GRAINGER PARKWAY  
LAKE FOREST, IL 60045 USA



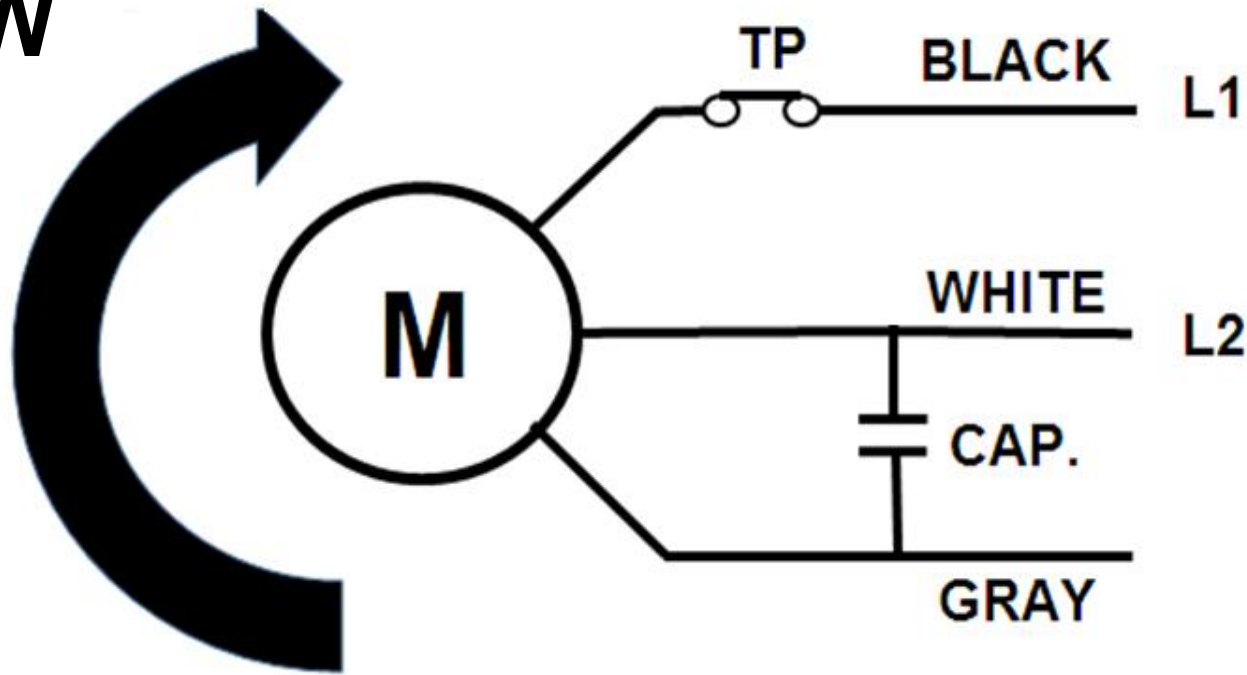
**OUTLINE DRAWING**

**MODEL:**  
7CR77-R97



**DAYTON ELECTRIC MANUFACTURING CO.**  
100 GRAINGER PARKWAY  
LAKE FOREST, IL 60045 USA

**CW**



CW ROTATION SHOWN AT THE SHAFT END.  
CONNECT L2 TO GRAY WIRE INSTEAD OF WHITE  
WIRE TO REVERSE MOTOR DIRECTION.

HP: 1/8 Watt: 90

Speed: 1650 RPM

Volt: 115 VAC / 1 Phase FLA: 0.79 Freq: 60 Hz

Capacitor Value: 6 MFD / 450 VAC

**WIRE DIAGRAM**

MODEL:

7CR77-R97

**Dayton**®

DAYTON ELECTRIC MANUFACTURING CO.  
100 GRAINGER PARKWAY  
LAKE FOREST, IL 60045 USA

7-Combo No.	Motor SKU	Gearbox SKU	Length Less Shaft "L" Dimension (IN)	Shaft Rotation with Respect to Motor Shaft	No Load Speed (RPM)	Estimated Full Load Speed (RPM)	Gear Box Ratio	Max. Torque (IN-LB)	Max. Over Hung Load (LB)	Max. Thrust Load (LB)
7CR77	23L398	23L540	8.31	Same	600	550	3:1	11.2	99.2	33
7CR78	23L398	23L541	8.31	Same	500	458	3.6:1	13.4	99.2	33
7CR79	23L398	23L542	8.31	Same	360	330	5:1	18.7	99.2	33
7CR80	23L398	23L543	8.31	Same	300	275	6:1	22.4	99.2	33
7CR81	23L398	23L544	8.31	Same	240	220	7.5:1	28.0	99.2	33
7CR82	23L398	23L545	8.31	Same	200	183	9:1	33.6	99.2	33
7CR83	23L398	23L546	8.31	Same	180	165	10:1	37.3	99.2	33
7CR84	23L398	23L547	8.31	Opposite	144	132	12.5:1	42.0	114.6	33
7CR85	23L398	23L548	8.31	Opposite	120	110	15:1	50.5	114.6	33
7CR86	23L398	23L549	8.31	Opposite	100	91.7	18:1	60.6	114.6	33
7CR87	23L398	23L550	8.31	Opposite	90	82.5	20:1	67.3	114.6	33
7CR88	23L398	23L551	8.31	Same	72	66.0	25:1	76.0	132.3	33
7CR89	23L398	23L552	8.31	Same	60	55.0	30:1	91.2	132.3	33
7CR90	23L398	23L553	8.31	Same	50	45.8	36:1	109.5	132.3	33
7CR91	23L398	23L554	8.31	Same	45	41.2	40:1	121.7	132.3	33
7CR92	23L398	23L555	8.31	Same	36	33.0	50:1	152.1	132.3	33
7CR93	23L398	23L556	8.31	Same	30	27.5	60:1	173.6	132.3	33
7CR94	23L398	23L557	8.31	Opposite	24	22.6	75:1	173.6	132.3	33
7CR95	23L398	23L558	8.31	Opposite	20	19.0	90:1	173.6	132.3	33
7CR96	23L398	23L559	8.31	Opposite	18	17.2	100:1	173.6	132.3	33
7CR97	23L398	23L560	8.31	Opposite	15	14.4	120:1	173.6	132.3	33

## SPECIFICATIONS

MODEL:  
7CR77-R97



DAYTON ELECTRIC MANUFACTURING CO.  
100 GRAINGER PARKWAY  
LAKE FOREST, IL 60045 USA