

AC PSC MOTOR WITH
ELECTROMAGNETIC BRAKE



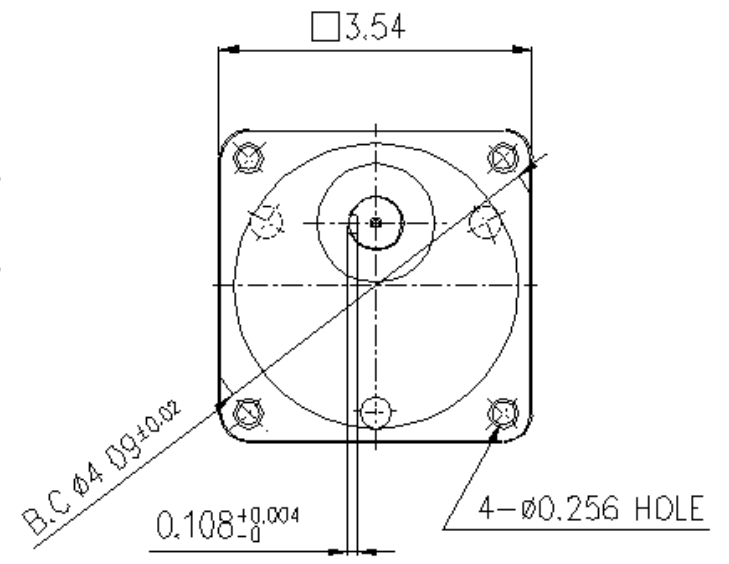
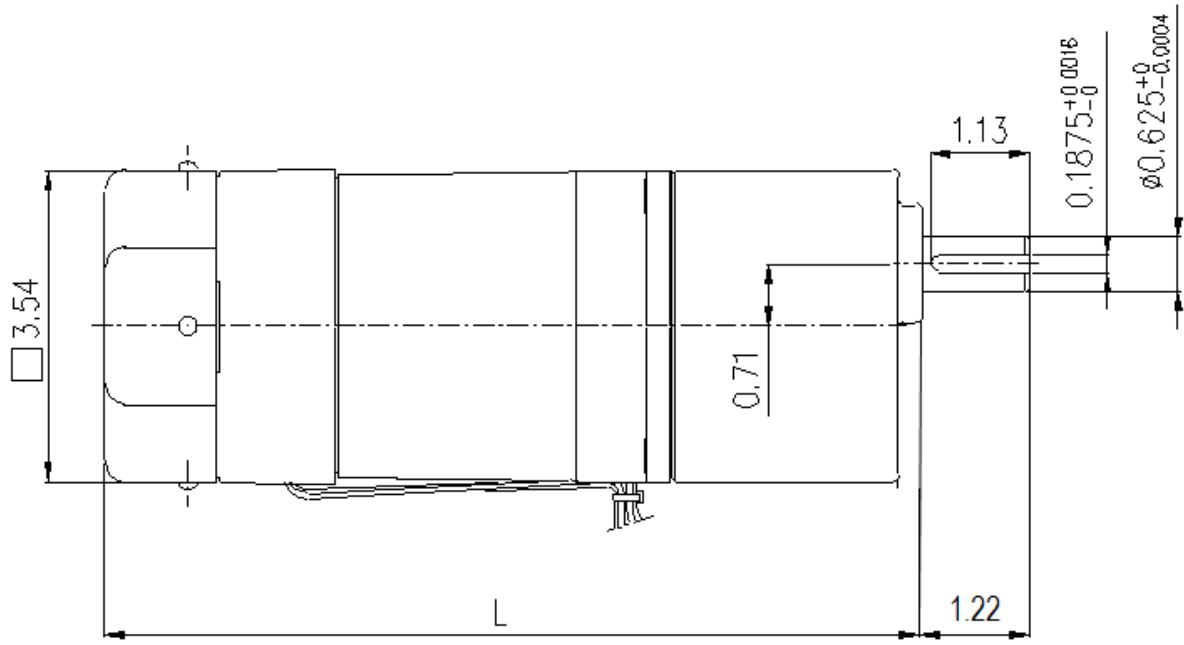
PARALLEL GEARBOX

ASSEMBLY INFO

MODEL:
7CT19-T39



DAYTON ELECTRIC MANUFACTURING CO.
100 GRAINGER PARKWAY
LAKE FOREST, IL 60045 USA

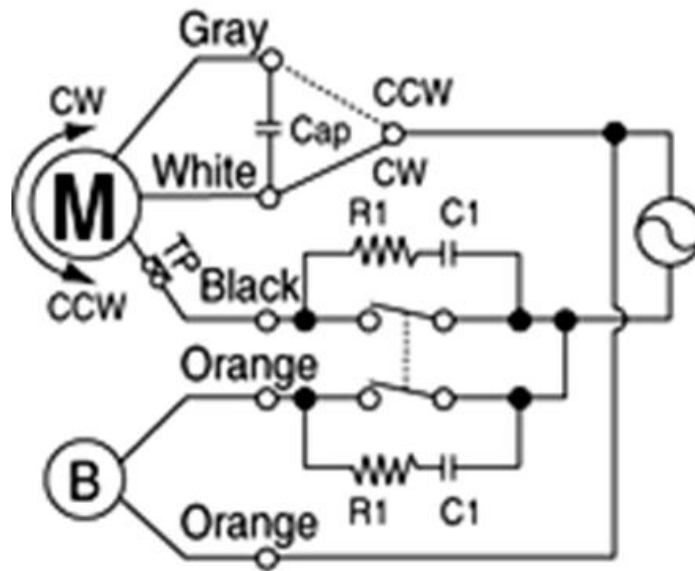


OUTLINE DRAWING

MODEL:
7CT19-T39




DAYTON ELECTRIC MANUFACTURING CO.
100 GRAINGER PARKWAY
LAKE FOREST, IL 60045 USA



NOTES:

1. Motor is rated for **30 minute duty max.**
2. The R1, C1 and line switch are to be supplied by user.
3. The recommended values for R1 and C1 are:
R1= 10 to 200 Ohm, min 1/4W rating
C1 = 0.1 to 0.33 MFD, min. 125 WVAC (115 V motor) or 250WVAC (220V Motor)

HP: 1/8	Watt: 90	Speed: 1550 RPM	Volt: 220 VAC / 1 Phase	FLA: 0.98	Freq: 60 Hz	Capacitor Value: 7 MFD / 450 VAC
WIRE DIAGRAM			MODEL: 7CT19-T39		 DAYTON ELECTRIC MANUFACTURING CO. 100 GRAINGER PARKWAY LAKE FOREST, IL 60045 USA	
			Revision Date: 11-21-2012			

7-Combo No.	Motor SKU	Gearbox SKU	Length Less Shaft "L" Dimension (IN)	Shaft Rotation with Respect to Motor Shaft	No Load Speed (RPM)	Estimated Full Load Speed (RPM)	Gear Box Ratio	Max. Torque (IN-LB)	Max. Over Hung Load (LB)	Max. Thrust Load (LB)
7CT19	23L401	23L540	9.90	Same	600	516	3:1	11.2	99.2	33
7CT20	23L401	23L541	9.90	Same	500	430	3.6:1	13.4	99.2	33
7CT21	23L401	23L542	9.90	Same	360	310	5:1	18.7	99.2	33
7CT22	23L401	23L543	9.90	Same	300	258	6:1	22.4	99.2	33
7CT23	23L401	23L544	9.90	Same	240	206	7.5:1	28.0	99.2	33
7CT24	23L401	23L545	9.90	Same	200	172	9:1	33.6	99.2	33
7CT25	23L401	23L546	9.90	Same	180	155	10:1	37.3	99.2	33
7CT26	23L401	23L547	9.90	Opposite	144	124	12.5:1	42.0	114.6	33
7CT27	23L401	23L548	9.90	Opposite	120	103	15:1	50.5	114.6	33
7CT28	23L401	23L549	9.90	Opposite	100	86	18:1	60.6	114.6	33
7CT29	23L401	23L550	9.90	Opposite	90	77.5	20:1	67.3	114.6	33
7CT30	23L401	23L551	9.90	Same	72	62	25:1	76.0	132.3	33
7CT31	23L401	23L552	9.90	Same	60	51.6	30:1	91.2	132.3	33
7CT32	23L401	23L553	9.90	Same	50	43	36:1	109.5	132.3	33
7CT33	23L401	23L554	9.90	Same	45	38.7	40:1	121.7	132.3	33
7CT34	23L401	23L555	9.90	Same	36	31	50:1	152.1	132.3	33
7CT35	23L401	23L556	9.90	Same	30	25.8	60:1	173.6	132.3	33
7CT36	23L401	23L557	9.90	Opposite	24	21.2	75:1	173.6	132.3	33
7CT37	23L401	23L558	9.90	Opposite	20	17.8	90:1	173.6	132.3	33
7CT38	23L401	23L559	9.90	Opposite	18	16.2	100:1	173.6	132.3	33
7CT39	23L401	23L560	9.90	Opposite	15	13.6	120:1	173.6	132.3	33

SPECIFICATIONS

MODEL:
7CT19-T39



DAYTON ELECTRIC MANUFACTURING CO.
100 GRAINGER PARKWAY
LAKE FOREST, IL 60045 USA