

AC PSC MOTOR WITH SPEED CONTROL



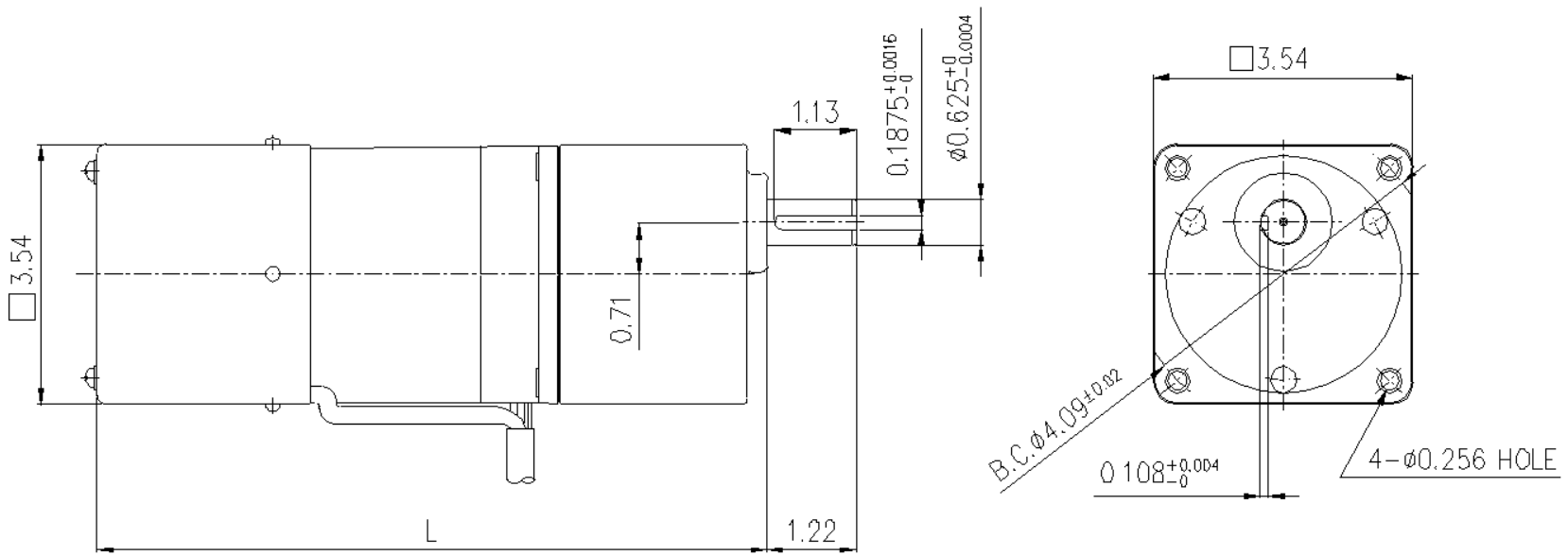
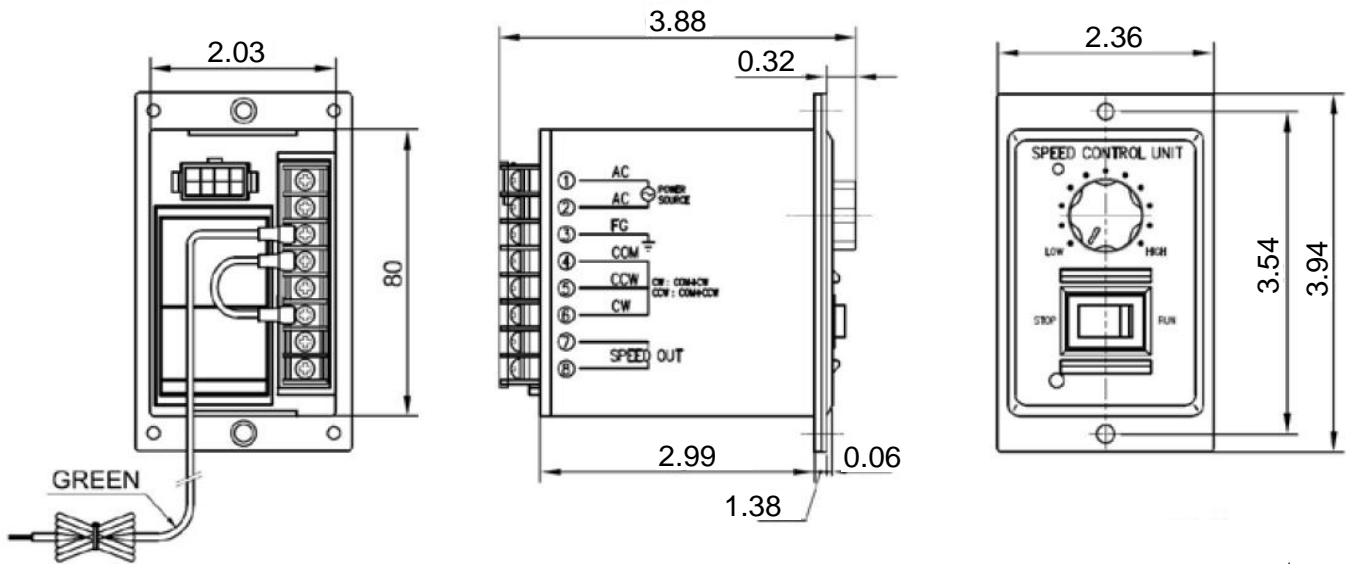
PARALLEL GEARBOX

**ASSEMBLY INFO**

MODEL:  
7CT40-T60



DAYTON ELECTRIC MANUFACTURING CO.  
100 GRAINGER PARKWAY  
LAKE FOREST, IL 60045 USA



**OUTLINE DRAWING**

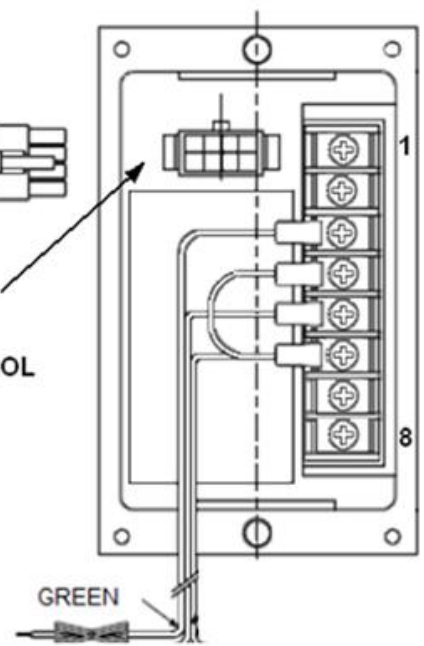
**MODEL:**  
7CT40-T60



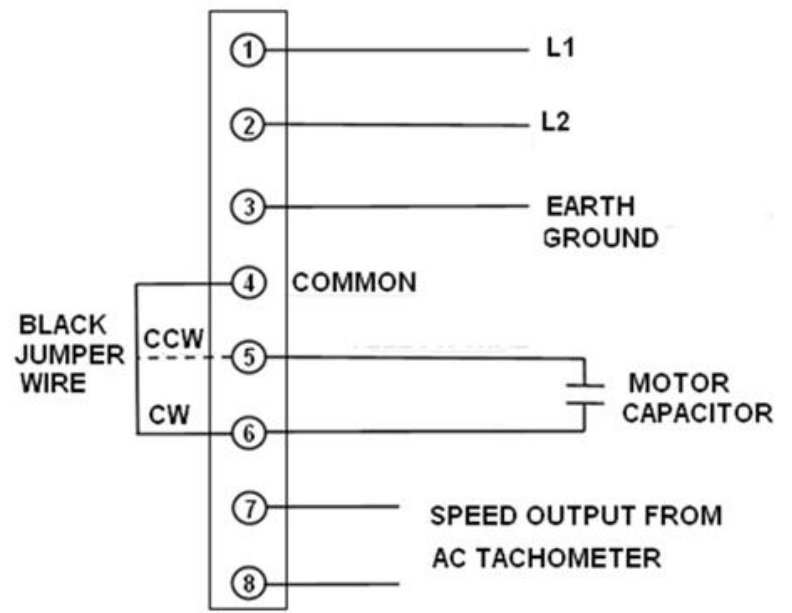
**DAYTON ELECTRIC MANUFACTURING CO.**  
100 GRAINGER PARKWAY  
LAKE FOREST, IL 60045 USA



MOTOR CABLE PLUGS INTO RECEPTACLE LOCATED ON BACK OF THE SPEED CONTROL



SPEED CONTROL TERMINAL BLOCK



MOTOR IS SHOWN WIRED FOR CW ROTATION. SWITCH THE WIRE JUMPER FROM TERMINAL 6 TO 5 FOR CCW ROTATION.

HP: 1/8	Watt: 90	Speed: 1650 RPM	Volt: 115 VAC / 1 Phase	FLA: 1.26	Freq: 60 Hz	Capacitor Value: 20 MFD / 250 VAC
---------	----------	-----------------	-------------------------	-----------	-------------	-----------------------------------

**WIRE DIAGRAM**

MODEL:  
7CT40-T60



DAYTON ELECTRIC MANUFACTURING CO.  
100 GRAINGER PARKWAY  
LAKE FOREST, IL 60045 USA

7-Combo No.	Motor SKU	Gearbox SKU	Speed Control SKU	Length Less Shaft "L" Dimension (IN)	Shaft Rotation with Respect to Motor Shaft	No Load Speed (RPM)	Estimated Full Load Speed (RPM)	Gear Box Ratio	Max. Torque (IN-LB)	Max. Over Hung Load (LB)	Max. Thrust Load (LB)
7CT40	23L402	23L540	23L580	9.77	Same	600	550	3:1	11.2	99.2	33
7CT41	23L402	23L541	23L580	9.77	Same	500	458	3.6:1	13.4	99.2	33
7CT42	23L402	23L542	23L580	9.77	Same	360	330	5:1	18.7	99.2	33
7CT43	23L402	23L543	23L580	9.77	Same	300	275	6:1	22.4	99.2	33
7CT44	23L402	23L544	23L580	9.77	Same	240	220	7.5:1	28.0	99.2	33
7CT45	23L402	23L545	23L580	9.77	Same	200	183	9:1	33.6	99.2	33
7CT46	23L402	23L546	23L580	9.77	Same	180	165	10:1	37.3	99.2	33
7CT47	23L402	23L547	23L580	9.77	Opposite	144	132	12.5:1	42.0	114.6	33
7CT48	23L402	23L548	23L580	9.77	Opposite	120	110	15:1	50.5	114.6	33
7CT49	23L402	23L549	23L580	9.77	Opposite	100	91.7	18:1	60.6	114.6	33
7CT50	23L402	23L550	23L580	9.77	Opposite	90	82.5	20:1	67.3	114.6	33
7CT51	23L402	23L551	23L580	9.77	Same	72	66.0	25:1	76.0	132.3	33
7CT52	23L402	23L552	23L580	9.77	Same	60	55.0	30:1	91.2	132.3	33
7CT53	23L402	23L553	23L580	9.77	Same	50	45.8	36:1	109.5	132.3	33
7CT54	23L402	23L554	23L580	9.77	Same	45	41.2	40:1	121.7	132.3	33
7CT55	23L402	23L555	23L580	9.77	Same	36	33.0	50:1	152.1	132.3	33
7CT56	23L402	23L556	23L580	9.77	Same	30	27.5	60:1	173.6	132.3	33
7CT57	23L402	23L557	23L580	9.77	Opposite	24	22.6	75:1	173.6	132.3	33
7CT58	23L402	23L558	23L580	9.77	Opposite	20	19.0	90:1	173.6	132.3	33
7CT59	23L402	23L559	23L580	9.77	Opposite	18	17.2	100:1	173.6	132.3	33
7CT60	23L402	23L560	23L580	9.77	Opposite	15	14.4	120:1	173.6	132.3	33

## SPECIFICATIONS

MODEL:  
7CT40-T60



DAYTON ELECTRIC MANUFACTURING CO.  
100 GRAINGER PARKWAY  
LAKE FOREST, IL 60045 USA