

AC PSC MOTOR WITH SPEED CONTROL



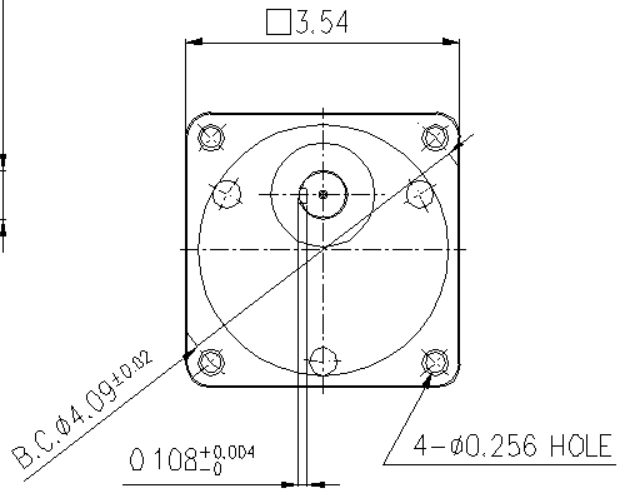
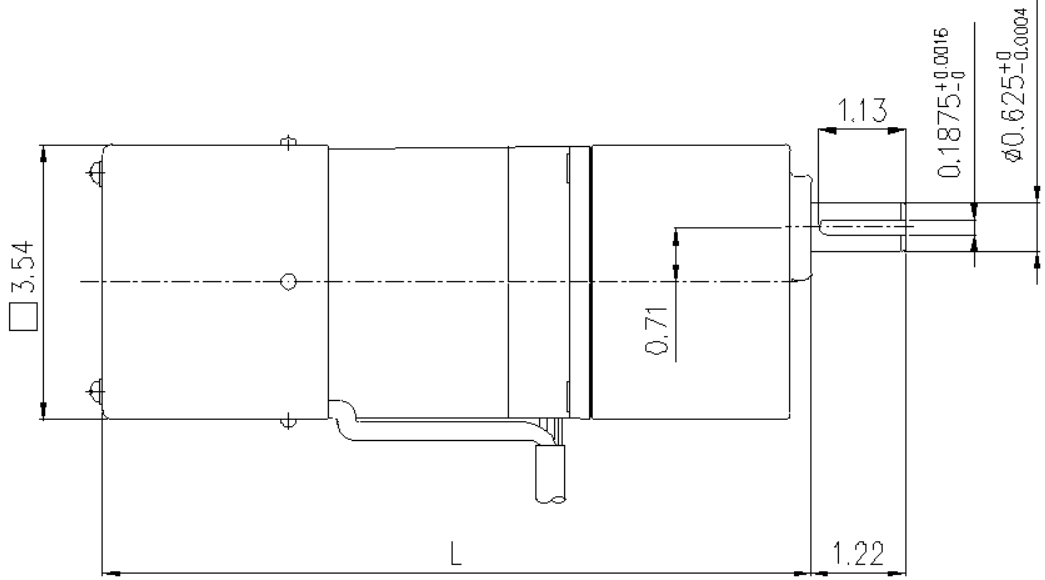
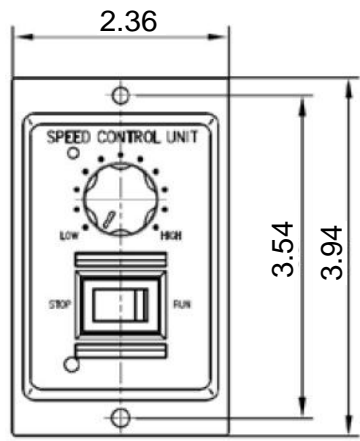
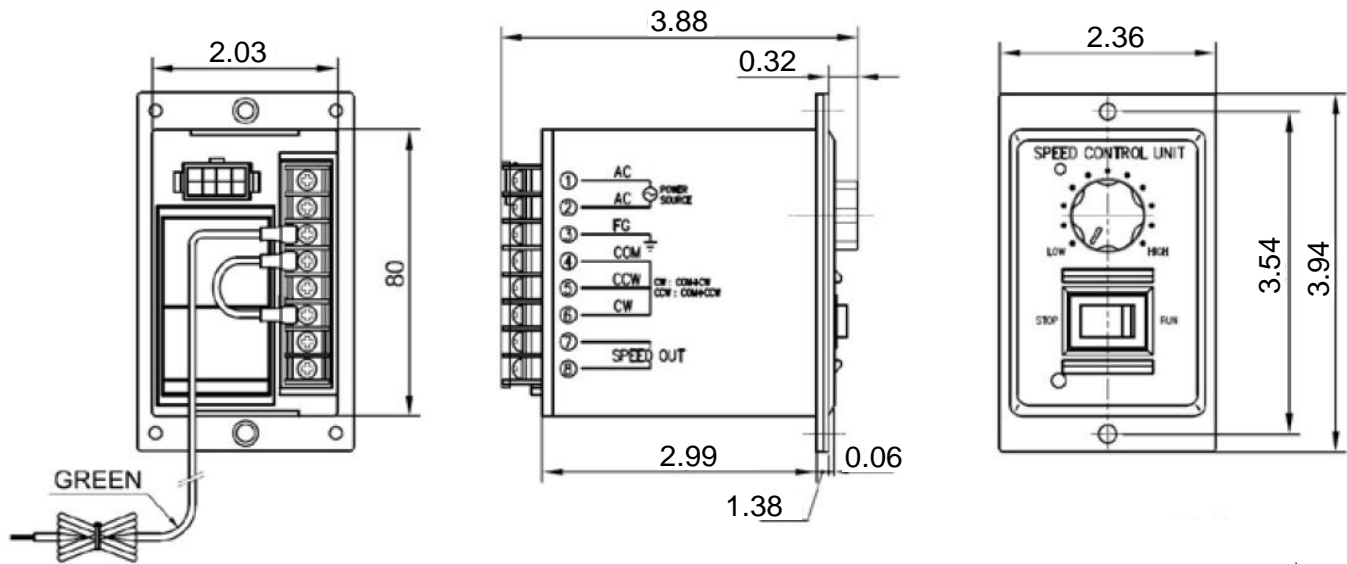
PARALLEL GEARBOX

ASSEMBLY INFO

MODEL:
7CT61-T81



DAYTON ELECTRIC MANUFACTURING CO.
100 GRAINGER PARKWAY
LAKE FOREST, IL 60045 USA



OUTLINE DRAWING

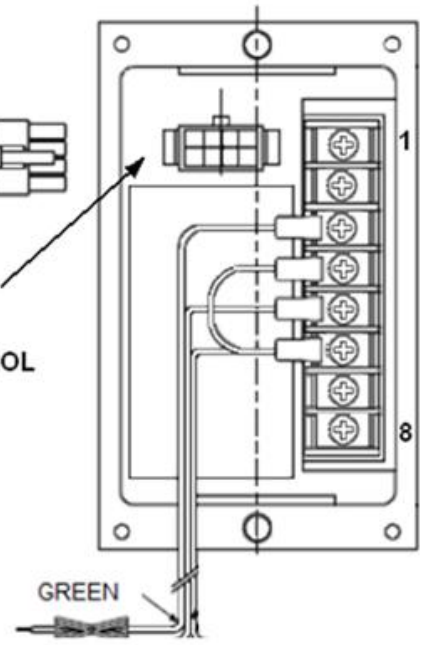
MODEL:
7CT61-T81



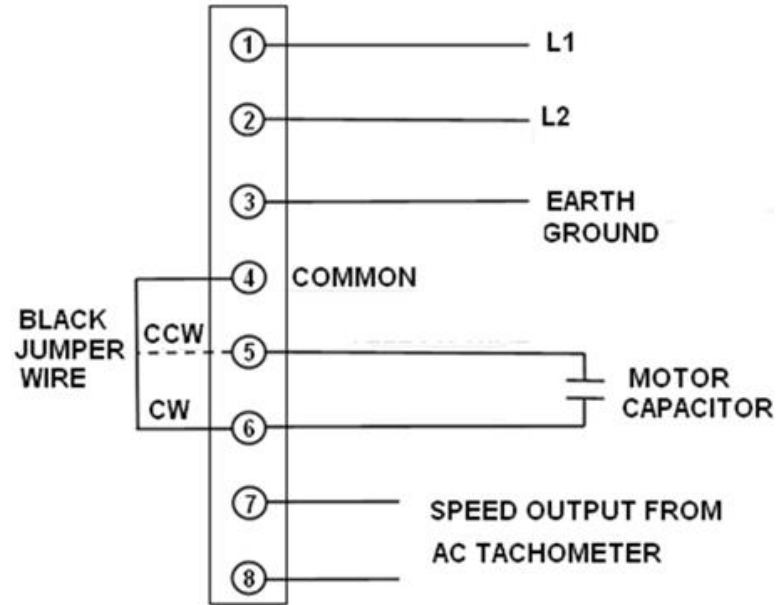
DAYTON ELECTRIC MANUFACTURING CO.
100 GRAINGER PARKWAY
LAKE FOREST, IL 60045 USA



MOTOR CABLE PLUGS INTO RECEPTACLE LOCATED ON BACK OF THE SPEED CONTROL



SPEED CONTROL TERMINAL BLOCK



MOTOR IS SHOWN WIRED FOR CW ROTATION. SWITCH THE WIRE JUMPER FROM TERMINAL 6 TO 5 FOR CCW ROTATION.

HP: 1/8	Watt: 90	Speed: 1650 RPM	Volt: 220 VAC / 1 Phase	FLA: 0.79	Freq: 60 Hz	Capacitor Value: 6 MFD / 450 VAC
---------	----------	-----------------	-------------------------	-----------	-------------	----------------------------------

WIRE DIAGRAM	MODEL:	Dayton ®	DAYTON ELECTRIC MANUFACTURING CO. 100 GRAINGER PARKWAY LAKE FOREST, IL 60045 USA
	7CT61-T81		

7-Combo No.	Motor SKU	Gearbox SKU	Speed Control SKU	Length Les Shaft "L" Dimension (IN)	Shaft Rotation with Respect to Motor Shaft	No Load Speed (RPM)	Estimated Full Load Speed (RPM)	Gear Box Ratio	Max. Torque (IN-LB)	Max. Over Hung Load (LB)	Max. Thrust Load (LB)
7CT61	23L403	23L540	23L584	9.77	Same	600	550	3:1	11.2	99.2	33
7CT62	23L403	23L541	23L584	9.77	Same	500	458	3.6:1	13.4	99.2	33
7CT63	23L403	23L542	23L584	9.77	Same	360	330	5:1	18.7	99.2	33
7CT64	23L403	23L543	23L584	9.77	Same	300	275	6:1	22.4	99.2	33
7CT65	23L403	23L544	23L584	9.77	Same	240	220	7.5:1	28.0	99.2	33
7CT66	23L403	23L545	23L584	9.77	Same	200	183	9:1	33.6	99.2	33
7CT67	23L403	23L546	23L584	9.77	Same	180	165	10:1	37.3	99.2	33
7CT68	23L403	23L547	23L584	9.77	Opposite	144	132	12.5:1	42.0	114.6	33
7CT69	23L403	23L548	23L584	9.77	Opposite	120	110	15:1	50.5	114.6	33
7CT70	23L403	23L549	23L584	9.77	Opposite	100	91.7	18:1	60.6	114.6	33
7CT71	23L403	23L550	23L584	9.77	Opposite	90	82.5	20:1	67.3	114.6	33
7CT72	23L403	23L551	23L584	9.77	Same	72	66.0	25:1	76.0	132.3	33
7CT73	23L403	23L552	23L584	9.77	Same	60	55.0	30:1	91.2	132.3	33
7CT74	23L403	23L553	23L584	9.77	Same	50	45.8	36:1	109.5	132.3	33
7CT75	23L403	23L554	23L584	9.77	Same	45	41.2	40:1	121.7	132.3	33
7CT76	23L403	23L555	23L584	9.77	Same	36	33.0	50:1	152.1	132.3	33
7CT77	23L403	23L556	23L584	9.77	Same	30	27.5	60:1	173.6	132.3	33
7CT78	23L403	23L557	23L584	9.77	Opposite	24	22.6	75:1	173.6	132.3	33
7CT79	23L403	23L558	23L584	9.77	Opposite	20	19.0	90:1	173.6	132.3	33
7CT80	23L403	23L559	23L584	9.77	Opposite	18	17.2	100:1	173.6	132.3	33
7CT81	23L403	23L560	23L584	9.77	Opposite	15	14.4	120:1	173.6	132.3	33

SPECIFICATIONS

MODEL:
7CT61-T81



DAYTON ELECTRIC MANUFACTURING CO.
100 GRAINGER PARKWAY
LAKE FOREST, IL 60045 USA