



DC MOTOR



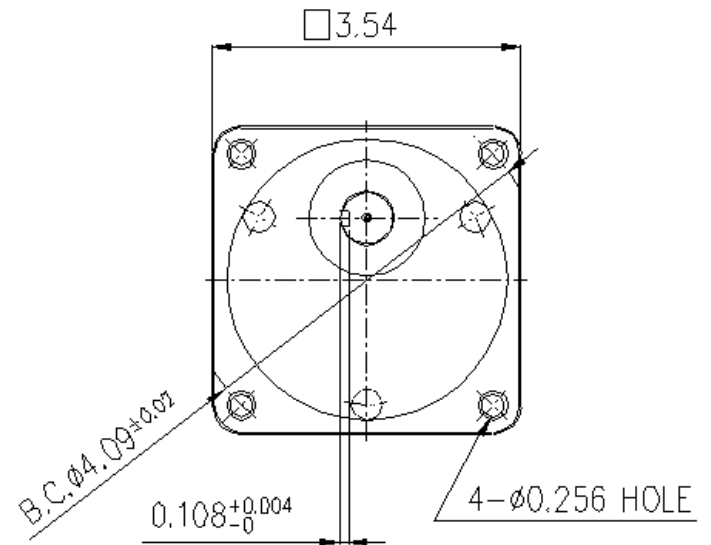
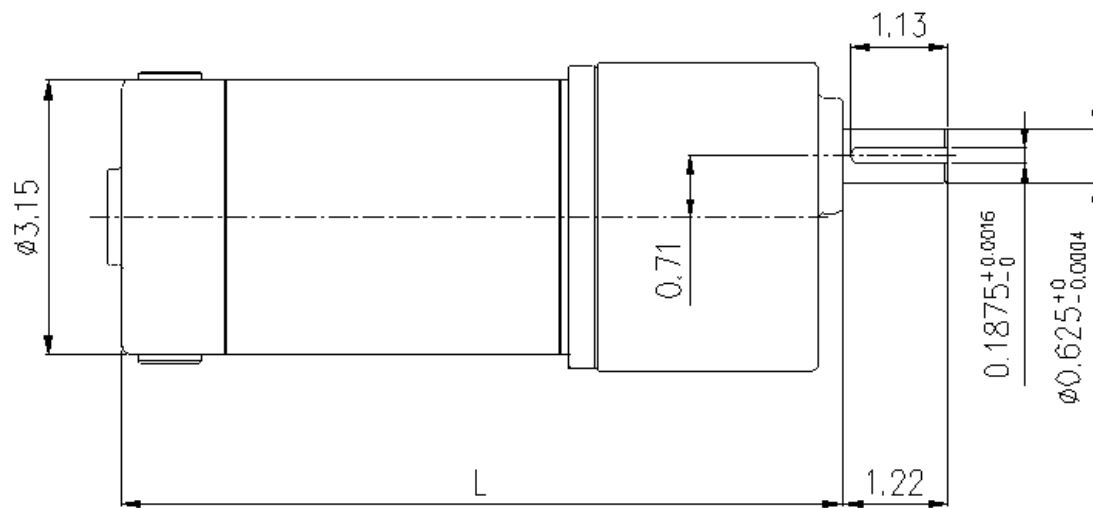
PARALLEL GEARBOX

ASSEMBLY INFO

MODEL:
7CT82-T99,7CU00-U02



DAYTON ELECTRIC MANUFACTURING CO.
100 GRAINGER PARKWAY
LAKE FOREST, IL 60045 USA

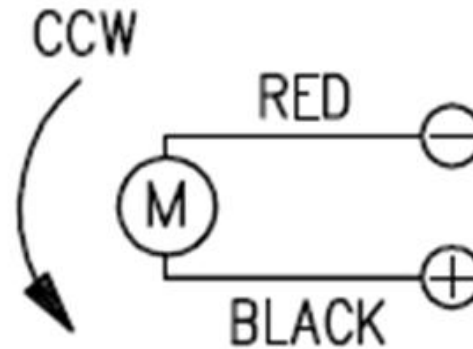
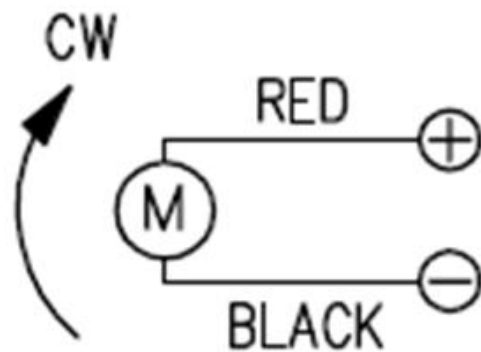


OUTLINE DRAWING

MODEL:
7CT82-T99,7CU00-U02




DAYTON ELECTRIC MANUFACTURING
CO.
100 GRAINGER PARKWAY
LAKE FOREST, IL 60045 USA



NOTE:

1. THIS MOTOR HAS A 1.0 FORM FACTOR (FF) RATING, SO THE MOTOR SUPPLY MUST HAVE THE SAME RATING.
2. USING A MOTOR SUPPLY WHICH HAS A HIGHER FF RATING WILL OVERHEAT THE MOTOR.

HP: 1/8 Watt: 90 Speed: 2750 RPM	Volt: 12 DC	FLA: 10.5	FF: 1.0	Capacitor Value: None
WIRE DIAGRAM	MODEL:	 DAYTON ELECTRIC MANUFACTURING CO. 100 GRAINGER PARKWAY LAKE FOREST, IL 60045 USA		
	7CT82-T99,7CU00-U02			
Revision Date: 11-21-2012				Page 3 of 4

7-Combo No.	Motor SKU	Gearbox SKU	Length Less Shaft "L" Dimension (IN)	Shaft Rotation with Respect to Motor Shaft	No Load Speed (RPM)	Estimated Full Load Speed	Gear Box Ratio	Max. Torque (IN-LB)	Max. Over Hung Load (LB)	Max. Thrust Load (LB)
7CT82	23L404	23L540	8.50	Same	1033	917	3:1	6.72	99.2	33
7CT83	23L404	23L541	8.50	Same	861	764	3.6:1	8.06	99.2	33
7CT84	23L404	23L542	8.50	Same	620	550	5:1	11.2	99.2	33
7CT85	23L404	23L543	8.50	Same	517	458	6:1	13.4	99.2	33
7CT86	23L404	23L544	8.50	Same	413	367	7.5:1	16.8	99.2	33
7CT87	23L404	23L545	8.50	Same	344	306	9:1	20.2	99.2	33
7CT88	23L404	23L546	8.50	Same	310	275	10:1	22.4	99.2	33
7CT89	23L404	23L547	8.50	Opposite	248	220	12.5:1	25.2	114.6	33
7CT90	23L404	23L548	8.50	Opposite	207	183	15:1	30.3	114.6	33
7CT91	23L404	23L549	8.50	Opposite	172	153	18:1	36.3	114.6	33
7CT92	23L404	23L550	8.50	Opposite	155	138	20:1	40.4	114.6	33
7CT93	23L404	23L551	8.50	Same	124	110	25:1	45.6	132.3	33
7CT94	23L404	23L552	8.50	Same	103	91.7	30:1	54.7	132.3	33
7CT95	23L404	23L553	8.50	Same	86.1	76.4	36:1	65.7	132.3	33
7CT96	23L404	23L554	8.50	Same	77.5	68.8	40:1	73.0	132.3	33
7CT97	23L404	23L555	8.50	Same	62.0	55.0	50:1	91.2	132.3	33
7CT98	23L404	23L556	8.50	Same	51.7	45.8	60:1	109.5	132.3	33
7CT99	23L404	23L557	8.50	Opposite	41.3	36.7	75:1	122.3	132.3	33
7CU00	23L404	23L558	8.50	Opposite	1033	30.6	90:1	146.8	132.3	33
7CU01	23L404	23L559	8.50	Opposite	861	27.5	100:1	163.1	132.3	33
7CU02	23L404	23L560	8.50	Opposite	620	23.2	120:1	173.6	132.3	33

SPECIFICATIONS

MODEL:
7CT82-T99,7CU00-U02



DAYTON ELECTRIC MANUFACTURING CO.
100 GRAINGER PARKWAY
LAKE FOREST, IL 60045 USA