



DC MOTOR



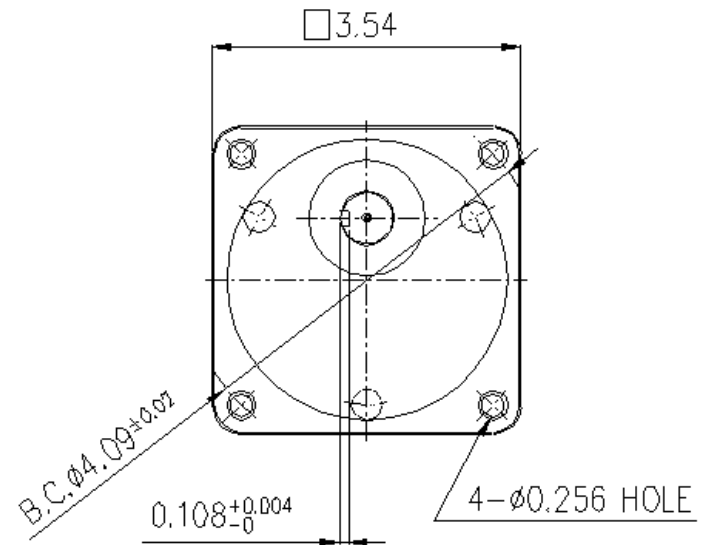
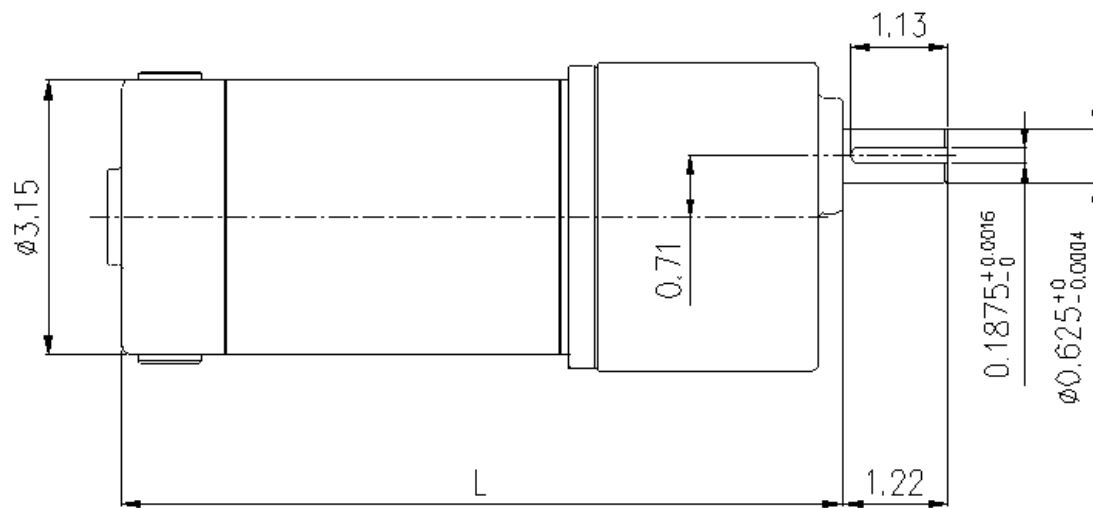
PARALLEL GEARBOX

**ASSEMBLY INFO**

**MODEL:**  
7CU03 -U23



DAYTON ELECTRIC MANUFACTURING CO.  
100 GRAINGER PARKWAY  
LAKE FOREST, IL 60045 USA

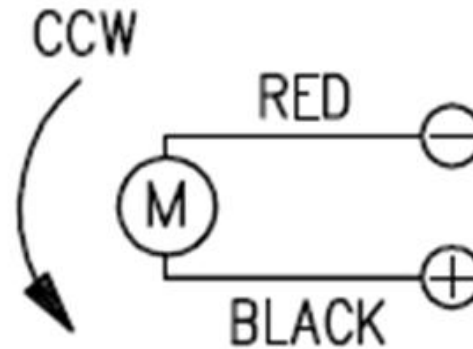
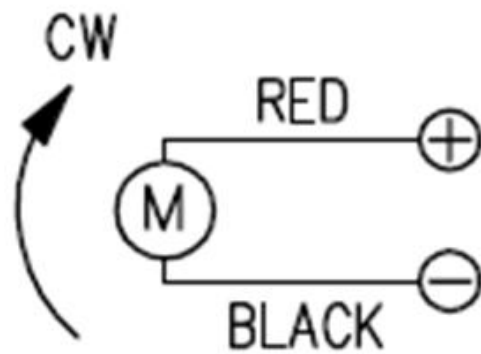


**OUTLINE DRAWING**

**MODEL:**  
7CU03 -U23




**DAYTON ELECTRIC MANUFACTURING CO.**  
100 GRAINGER PARKWAY  
LAKE FOREST, IL 60045 USA



NOTE:

1. THIS MOTOR HAS A 1.0 FORM FACTOR (FF) RATING, SO THE MOTOR SUPPLY MUST HAVE THE SAME RATING.
2. USING A MOTOR SUPPLY WHICH HAS A HIGHER FF RATING WILL OVERHEAT THE MOTOR.

HP: 1/8	Watt: 90	Speed: 2920 RPM	Volt: 24 DC	FLA: 5.6	FF: 1.0	Capacitor Value: None
<b>WIRE DIAGRAM</b>	MODEL:		 DAYTON ELECTRIC MANUFACTURING CO. 100 GRAINGER PARKWAY LAKE FOREST, IL 60045 USA			
	7CU03 -U23					

7-Combo No.	Motor SKU	Gearbox SKU	Length Less Shaft "L" Dimension (IN)	Shaft Rotation with Respect to Motor Shaft	No Load Speed (RPM)	Estimated Full Load Speed (RPM)	Gear Box Ratio	Max. Torque (IN-LB)	Max. Over Hung Load (LB)	Max. Thrust Load (LB)
7CU03	23L405	23L540	8.50	Same	1033	973	3:1	6.33	99.2	33
7CU04	23L405	23L541	8.50	Same	861	811	3.6:1	7.59	99.2	33
7CU05	23L405	23L542	8.50	Same	620	584	5:1	10.5	99.2	33
7CU06	23L405	23L543	8.50	Same	517	487	6:1	12.7	99.2	33
7CU07	23L405	23L544	8.50	Same	413	389	7.5:1	15.8	99.2	33
7CU08	23L405	23L545	8.50	Same	344	324	9:1	19.0	99.2	33
7CU09	23L405	23L546	8.50	Same	310	292	10:1	21.1	99.2	33
7CU10	23L405	23L547	8.50	Opposite	248	234	12.5:1	23.8	114.6	33
7CU11	23L405	23L548	8.50	Opposite	207	195	15:1	28.5	114.6	33
7CU12	23L405	23L549	8.50	Opposite	172	162	18:1	34.2	114.6	33
7CU13	23L405	23L550	8.50	Opposite	155	146	20:1	38.0	114.6	33
7CU14	23L405	23L551	8.50	Same	124	117	25:1	43.0	132.3	33
7CU15	23L405	23L552	8.50	Same	103	97.3	30:1	51.6	132.3	33
7CU16	23L405	23L553	8.50	Same	86.1	81.1	36:1	61.9	132.3	33
7CU17	23L405	23L554	8.50	Same	77.5	73.0	40:1	68.7	132.3	33
7CU18	23L405	23L555	8.50	Same	62.0	58.4	50:1	85.9	132.3	33
7CU19	23L405	23L556	8.50	Same	51.7	48.7	60:1	103.1	132.3	33
7CU20	23L405	23L557	8.50	Opposite	41.3	38.9	75:1	115.2	132.3	33
7CU21	23L405	23L558	8.50	Opposite	34.4	32.4	90:1	138.3	132.3	33
7CU22	23L405	23L559	8.50	Opposite	31.0	29.2	100:1	153.6	132.3	33
7CU23	23L405	23L560	8.50	Opposite	25.8	24.5	120:1	173.6	132.3	33

## SPECIFICATIONS

**MODEL:**  
7CU03 -U23



DAYTON ELECTRIC MANUFACTURING CO.  
100 GRAINGER PARKWAY  
LAKE FOREST, IL 60045 USA