



DC MOTOR



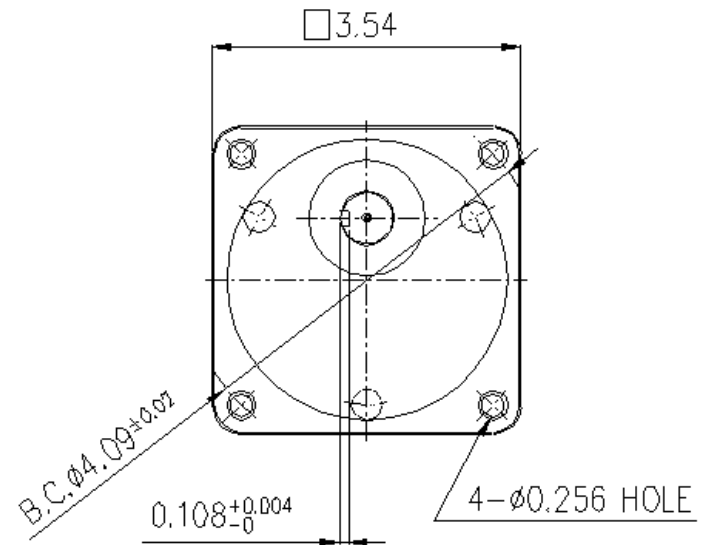
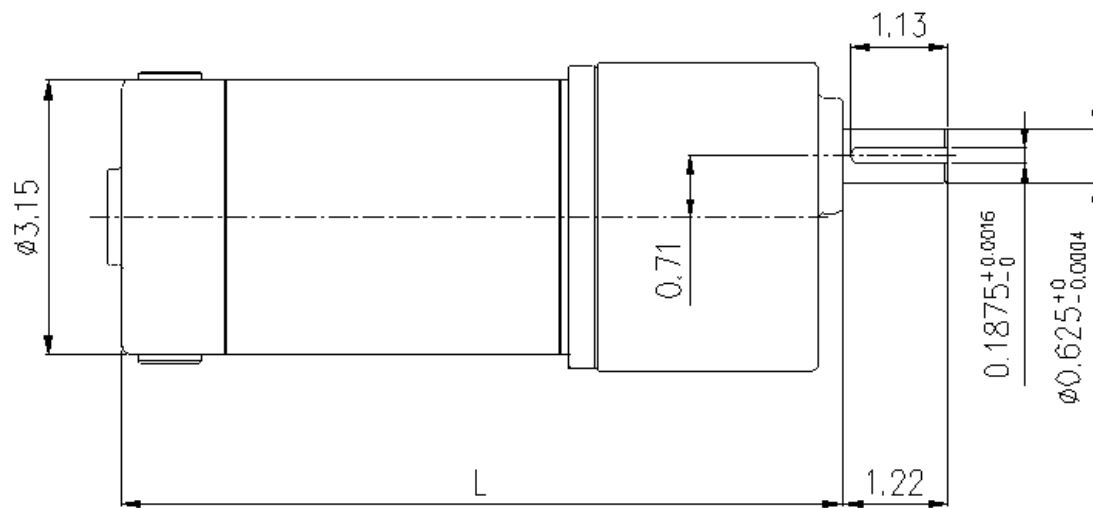
PARALLEL GEARBOX

ASSEMBLY INFO

MODEL:
7CU24-U44



DAYTON ELECTRIC MANUFACTURING CO.
100 GRAINGER PARKWAY
LAKE FOREST, IL 60045 USA

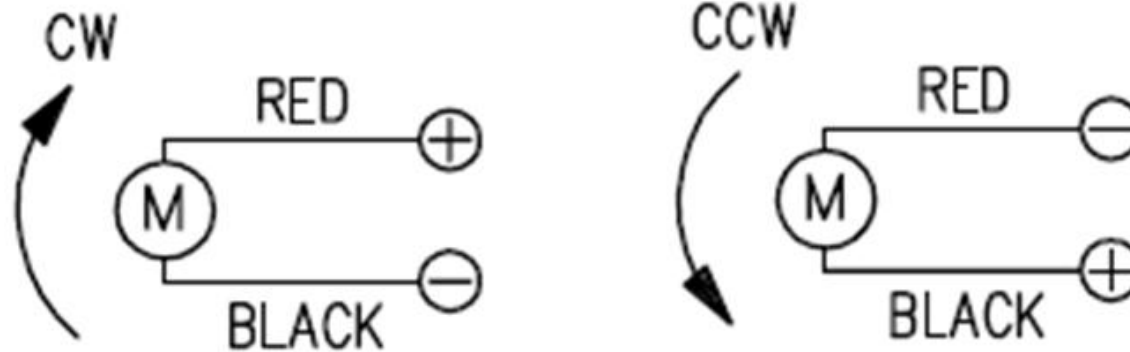


OUTLINE DRAWING

MODEL:
7CU24-U44




**DAYTON ELECTRIC MANUFACTURING
CO.**
100 GRAINGER PARKWAY
LAKE FOREST, IL 60045 USA



NOTES:

1. THIS MOTOR HAS A 1.0 FORM FACTOR (FF) RATING, SO THE MOTOR SUPPLY MUST HAVE THE SAME RATING.
2. USING A MOTOR SUPPLY WHICH HAS A HIGHER FF RATING WILL OVERHEAT THE MOTOR.
3. DO NOT USE SCR, 1.3 FF MOTOR SPEED CONTROL WITH THIS MOTOR.

HP: 1/8	Watt: 90	Speed: 2800 RPM	Volt: 90 DC	FLA: 1.4	FF: 1.0	Capacitor Value: None
WIRE DIAGRAM			MODEL:		DAYTON ELECTRIC MANUFACTURING CO. 100 GRAINGER PARKWAY LAKE FOREST, IL 60045 USA	
			7CU24-U44			
Revision Date: 11-21-2012						Page 3 of 4

7-Combo No.	Motor SKU	Gearbox SKU	Length Less Shaft "L" Dimension (IN)	Shaft Rotation with Respect to Motor Shaft	No Load Speed (RPM)	Estimated Full Load Speed (RPM)	Gear Box Ratio	Max. Torque (IN-LB)	Max. Over Hung Load (LB)	Max. Thrust Load (LB)
7CU24	23L406	23L540	8.50	Same	1033	933	3:1	6.72	99.2	33
7CU25	23L406	23L541	8.50	Same	861	778	3.6:1	8.06	99.2	33
7CU26	23L406	23L542	8.50	Same	620	560	5:1	11.2	99.2	33
7CU27	23L406	23L543	8.50	Same	517	467	6:1	13.4	99.2	33
7CU28	23L406	23L544	8.50	Same	413	373	7.5:1	16.8	99.2	33
7CU29	23L406	23L545	8.50	Same	344	311	9:1	20.2	99.2	33
7CU30	23L406	23L546	8.50	Same	310	280	10:1	22.4	99.2	33
7CU31	23L406	23L547	8.50	Opposite	248	224	12.5:1	25.2	114.6	33
7CU32	23L406	23L548	8.50	Opposite	207	187	15:1	30.3	114.6	33
7CU33	23L406	23L549	8.50	Opposite	172	156	18:1	36.3	114.6	33
7CU34	23L406	23L550	8.50	Opposite	155	140	20:1	40.4	114.6	33
7CU35	23L406	23L551	8.50	Same	124	112	25:1	45.6	132.3	33
7CU36	23L406	23L552	8.50	Same	103	93.3	30:1	54.7	132.3	33
7CU37	23L406	23L553	8.50	Same	86.1	77.8	36:1	65.7	132.3	33
7CU38	23L406	23L554	8.50	Same	77.5	70.0	40:1	73.0	132.3	33
7CU39	23L406	23L555	8.50	Same	62.0	56.0	50:1	91.2	132.3	33
7CU40	23L406	23L556	8.50	Same	51.7	46.7	60:1	109.5	132.3	33
7CU41	23L406	23L557	8.50	Opposite	41.3	37.3	75:1	122.3	132.3	33
7CU42	23L406	23L558	8.50	Opposite	34.4	31.1	90:1	146.8	132.3	33
7CU43	23L406	23L559	8.50	Opposite	31.0	28.0	100:1	163.1	132.3	33
7CU44	23L406	23L560	8.50	Opposite	25.8	23.6	120:1	173.6	132.3	33

SPECIFICATIONS

MODEL:
7CU24-U44



DAYTON ELECTRIC MANUFACTURING CO.
100 GRAINGER PARKWAY
LAKE FOREST, IL 60045 USA