

AC PSC MOTOR WITH SPEED CONTROL



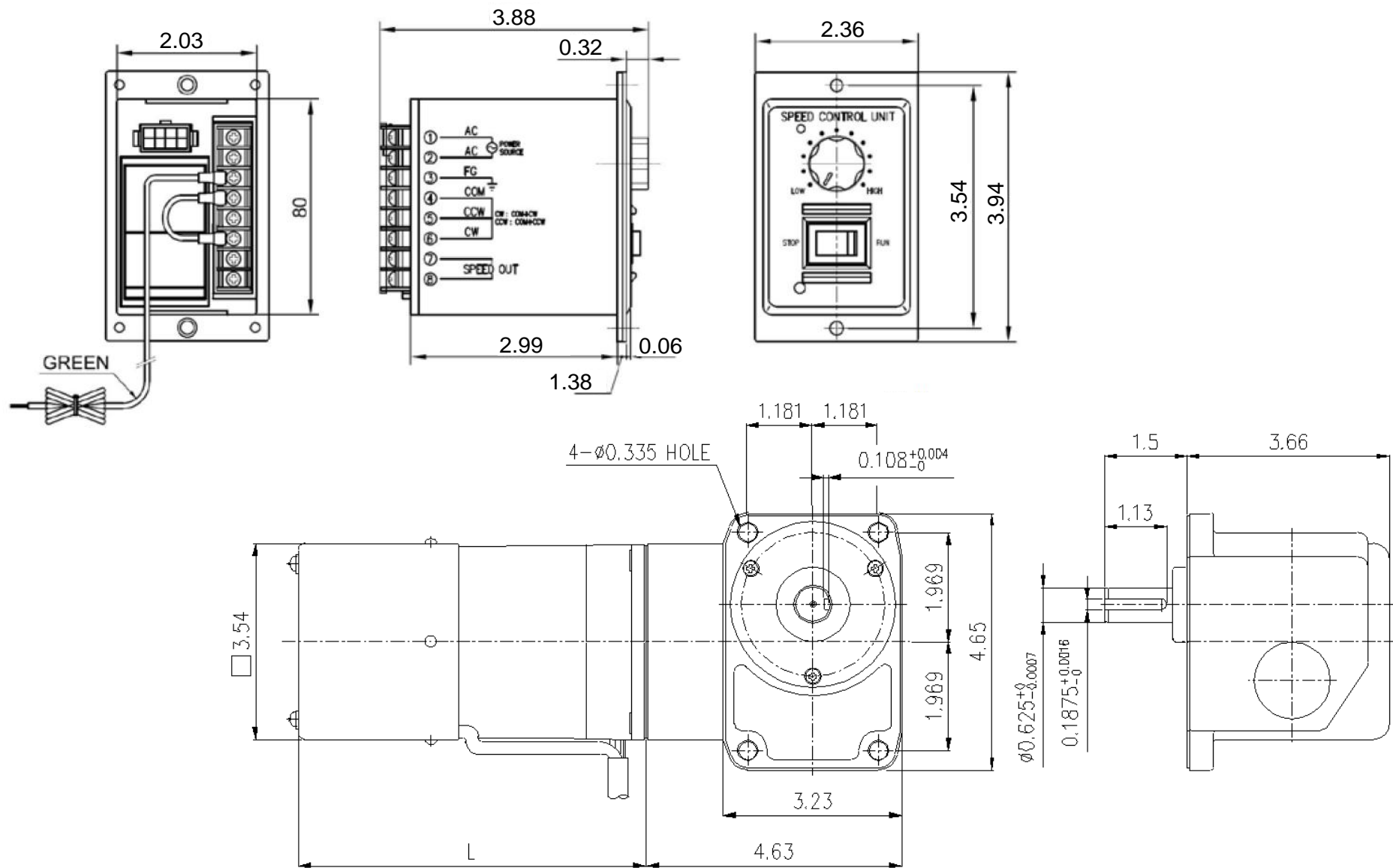
RIGHT ANGLE GEARBOX

**ASSEMBLY INFO**

MODEL:  
7CV05-V19



DAYTON ELECTRIC MANUFACTURING CO.  
100 GRAINGER PARKWAY  
LAKE FOREST, IL 60045 USA



**OUTLINE DRAWING**

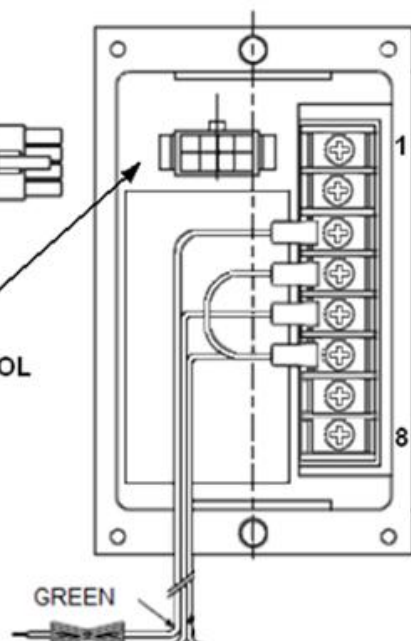
**MODEL:**  
7CV05-V19



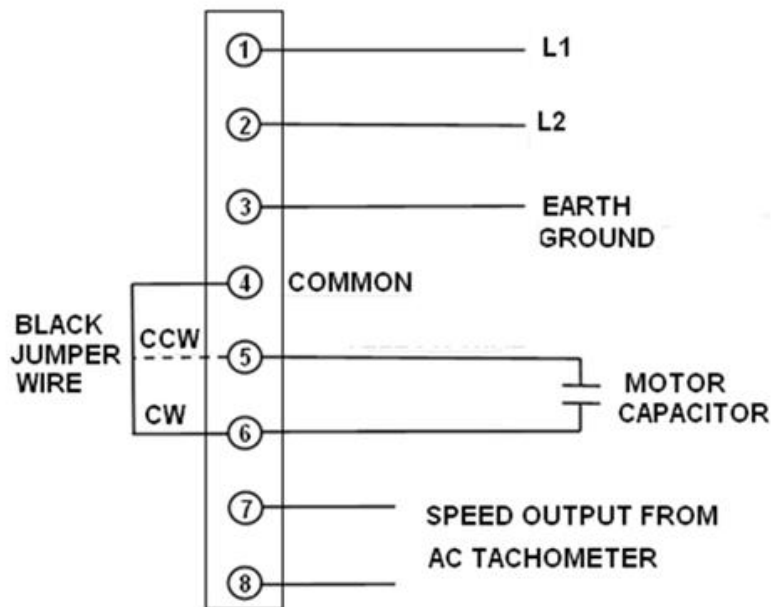
**DAYTON ELECTRIC MANUFACTURING CO.**  
100 GRAINGER PARKWAY  
LAKE FOREST, IL 60045 USA



MOTOR CABLE PLUGS INTO RECEPTACLE LOCATED ON BACK OF THE SPEED CONTROL



**SPEED CONTROL  
TERMINAL BLOCK**



MOTOR IS SHOWN WIRED FOR CW ROTATION.  
SWITCH THE WIRE JUMPER FROM TERMINAL 6 TO 5  
FOR CCW ROTATION.

HP: 1/8    Watt: 90    Speed: 1650 RPM

Volt: 115 VAC / 1 Phase    FLA: 1.26    Freq: 60 Hz

Capacitor Value: 20 MFD / 250 VAC

**WIRE DIAGRAM**

**MODEL:**  
7CV05-V19



DAYTON ELECTRIC MANUFACTURING CO.  
100 GRAINGER PARKWAY  
LAKE FOREST, IL 60045 USA

7-Combo No.	Motor SKU	Gearbox SKU	Speed Control SKU	"L" Dimension (IN)	Shaft Rotation with Respect to Motor Shaft	No Load Speed (RPM)	Estimated Full Load Speed (RPM)	Gear Box Ratio	Max. Torque (IN-LB)	Max. Over Hung Load (LB)	Max. Thrust Load (LB)
7CV05	23L402	23L494	23L580	6.88	Opposite	600	550	3:1	9.40	112.4	56.2
7CV06	23L402	23L495	23L580	6.88	Opposite	500	458	3.6:1	11.3	112.4	56.2
7CV07	23L402	23L496	23L580	6.88	Opposite	360	330	5:1	15.7	112.4	56.2
7CV08	23L402	23L497	23L580	6.88	Opposite	300	275	6:1	18.8	112.4	56.2
7CV09	23L402	23L498	23L580	6.88	Opposite	240	220	7.5:1	23.5	112.4	56.2
7CV10	23L402	23L499	23L580	6.88	Opposite	200	183	9:1	28.2	112.4	56.2
7CV11	23L402	23L501	23L580	6.88	Opposite	144	132	12.5:1	39.2	134.89	56.2
7CV12	23L402	23L502	23L580	6.88	Opposite	120	110	15:1	47.0	134.89	56.2
7CV13	23L402	23L503	23L580	6.88	Opposite	100	91.6	18:1	56.4	134.89	56.2
7CV14	23L402	23L504	23L580	6.88	Opposite	72	66	25:1	78.3	134.89	56.2
7CV15	23L402	23L505	23L580	6.88	Opposite	60	55	30:1	82.9	157.37	56.2
7CV16	23L402	23L506	23L580	6.88	Opposite	50	45.8	36:1	99.5	157.37	56.2
7CV17	23L402	23L507	23L580	6.88	Opposite	36	33	50:1	138.2	157.37	56.2
7CV18	23L402	23L508	23L580	6.88	Opposite	30	27.5	60:1	165.9	157.37	56.2
7CV19	23L402	23L509	23L580	6.88	Opposite	24	22	75:1	177	157.37	56.2

## SPECIFICATIONS

MODEL:  
7CV05-V19



DAYTON ELECTRIC MANUFACTURING CO.  
100 GRAINGER PARKWAY  
LAKE FOREST, IL 60045 USA