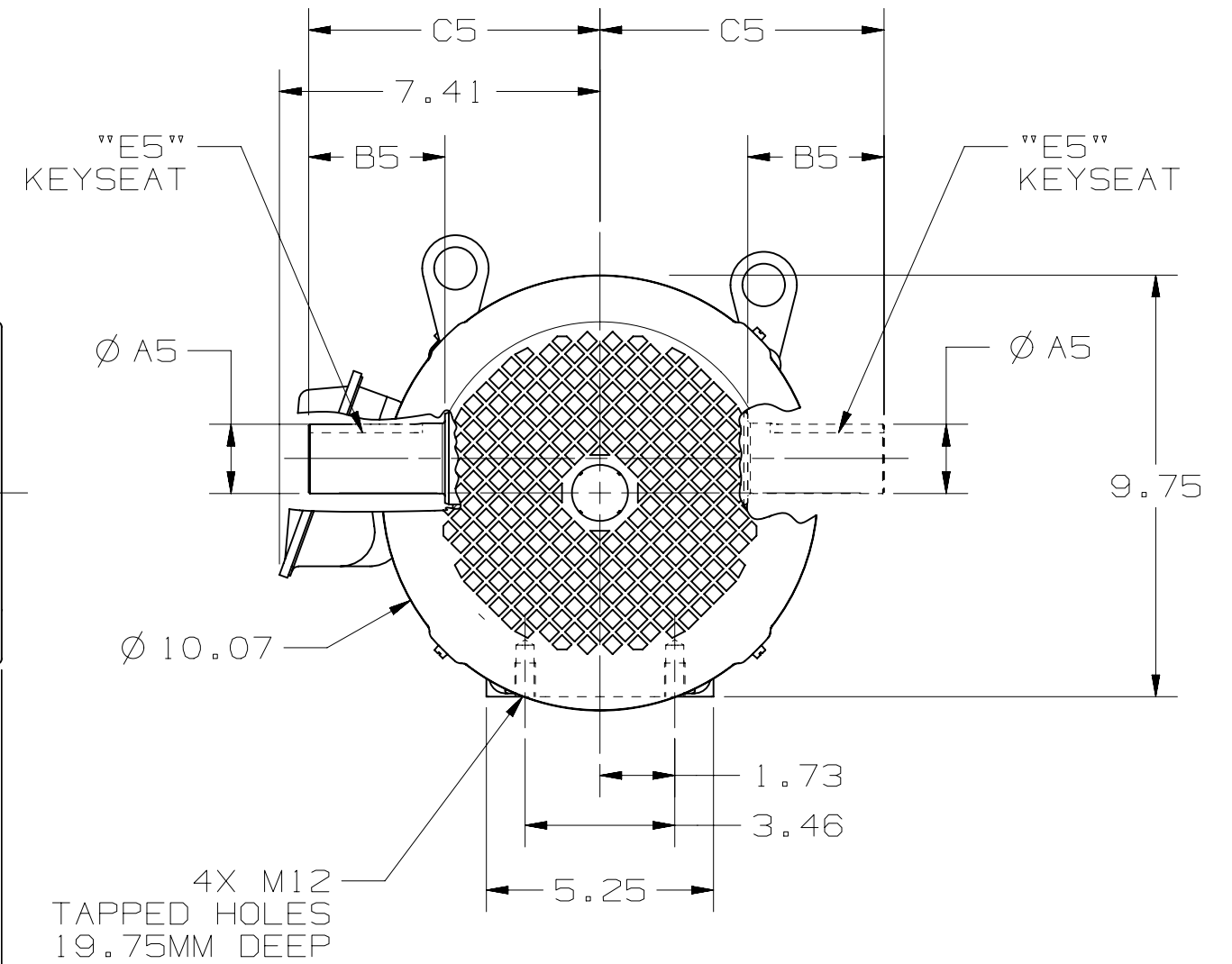
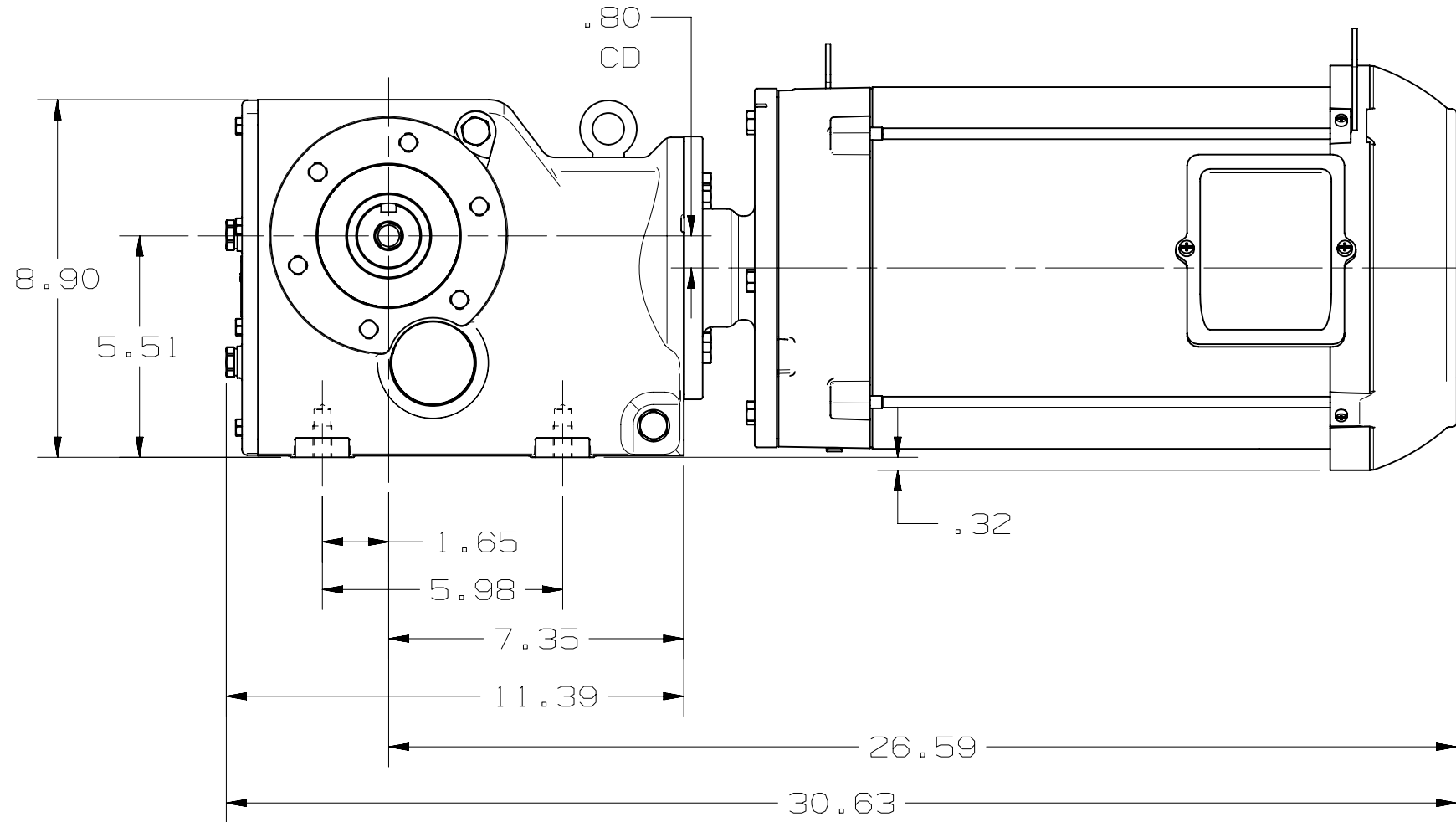


BOSTON GEAR®

GP42063RHDXX OUTLINE DWG



THIS DRAWING IS THE PROPERTY OF BOSTON GEAR AND MUST NOT BE USED IN ANY MANNER DETRIMENTAL TO THE INTERESTS OF THE COMPANY.

SHAFT SIZE	Ø A5	B5	C5	E5 KEYSEAT
D22	1.375	2.76	6.34	5/16 X 5/16
D26	1.625	3.15	6.73	3/8 X 3/8
D32	2.000	3.94	7.52	1/2 X 1/2
DM35	35mm	70mm	161mm	10mm X 8mm
DM40	40mm	80mm	171mm	12mm X 8mm
DM50	50mm	100mm	191mm	14mm X 9mm

DIMENSIONS TO ROUGH CASTINGS ARE APPROXIMATE

OUTPUT SHAFT PROJECTION SHOWN ABOVE:
 GD-LEFT PROJECTION SHOWN IN SOLID LINES
 JD-RIGHT PROJECTION SHOWN IN DASHED LINES
 HD-DUAL PROJECTION SHOWN IN BOTH DASHED AND SOLID LINES