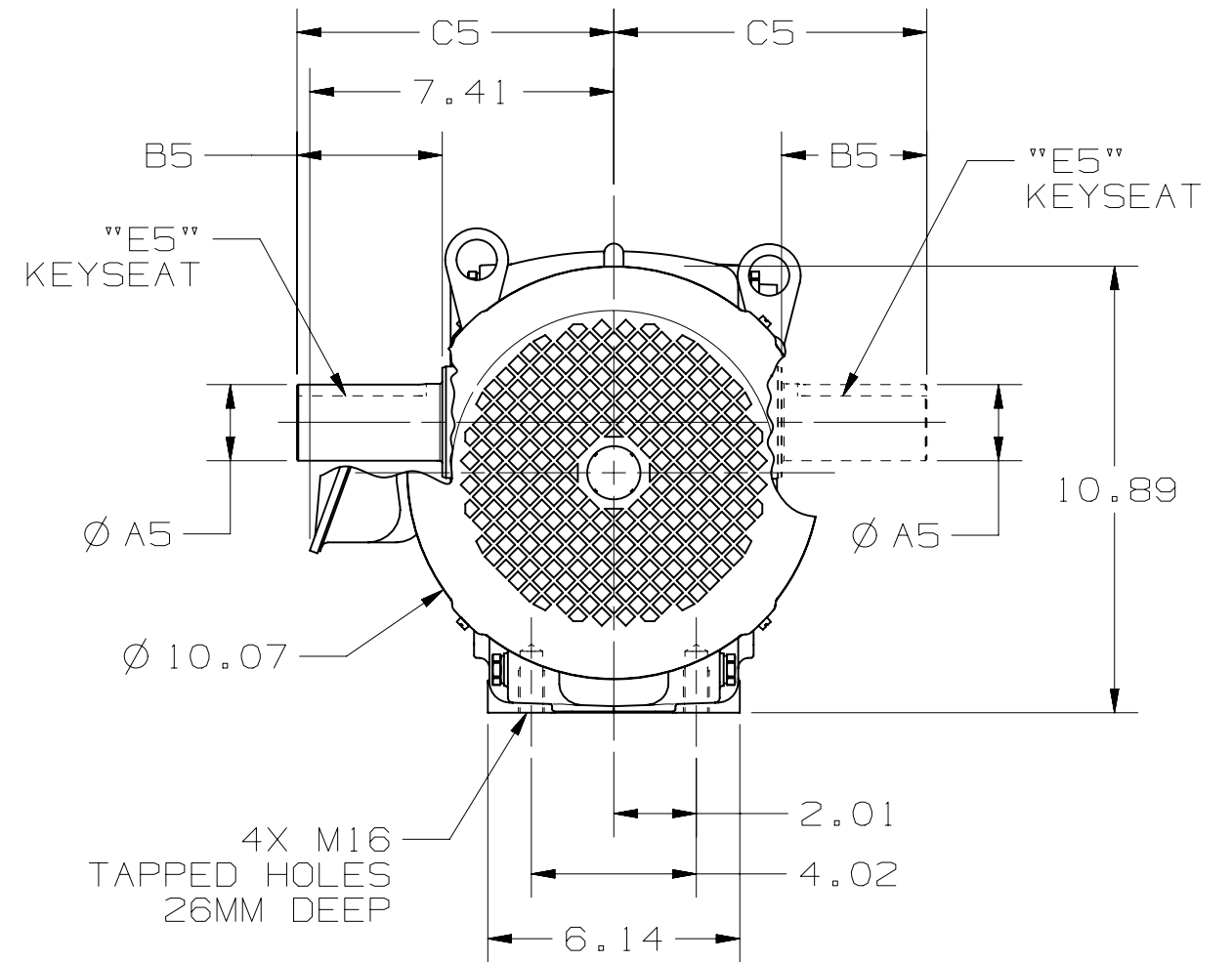
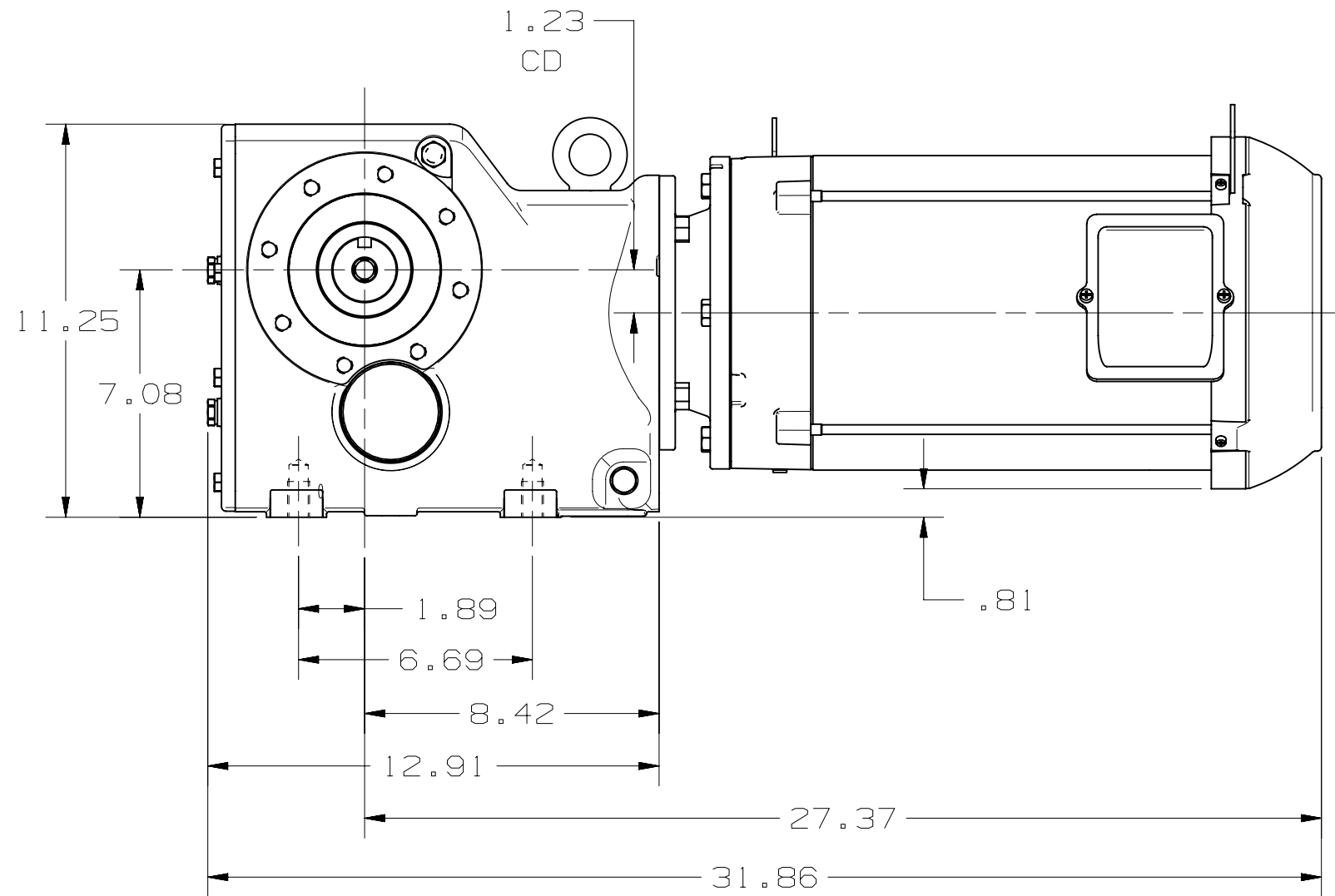


BOSTON GEAR®

GP42073RHDXX OUTLINE DWG



SHAFT SIZE	$\phi A5$	B5	C5	E5 KEYSEAT
D28	1.750	3.54	7.72	3/8 X 3/8
D30	1.875	3.54	7.72	3/8 X 3/8
D32	2.000	3.94	8.12	1/2 X 1/2
D34	2.125	3.94	8.12	1/2 X 1/2
D38	2.375	4.72	8.90	5/8 X 5/8
DM45	45mm	90mm	196.10mm	14mm X 9mm
DM50	50mm	100mm	206.10mm	14mm X 9mm

DIMENSIONS TO ROUGH
CASTINGS ARE APPROXIMATE

OUTPUT SHAFT PROJECTION SHOWN ABOVE:
GD-LEFT PROJECTION SHOWN IN SOLID LINES
JD-RIGHT PROJECTION SHOWN IN DASHED LINES
HD-DUAL PROJECTION SHOWN IN BOTH DASHED AND SOLID LINES

THIS DRAWING IS THE PROPERTY OF BOSTON GEAR AND MUST NOT BE
USED IN ANY MANNER DETRIMENTAL TO THE INTERESTS OF THE COMPANY.