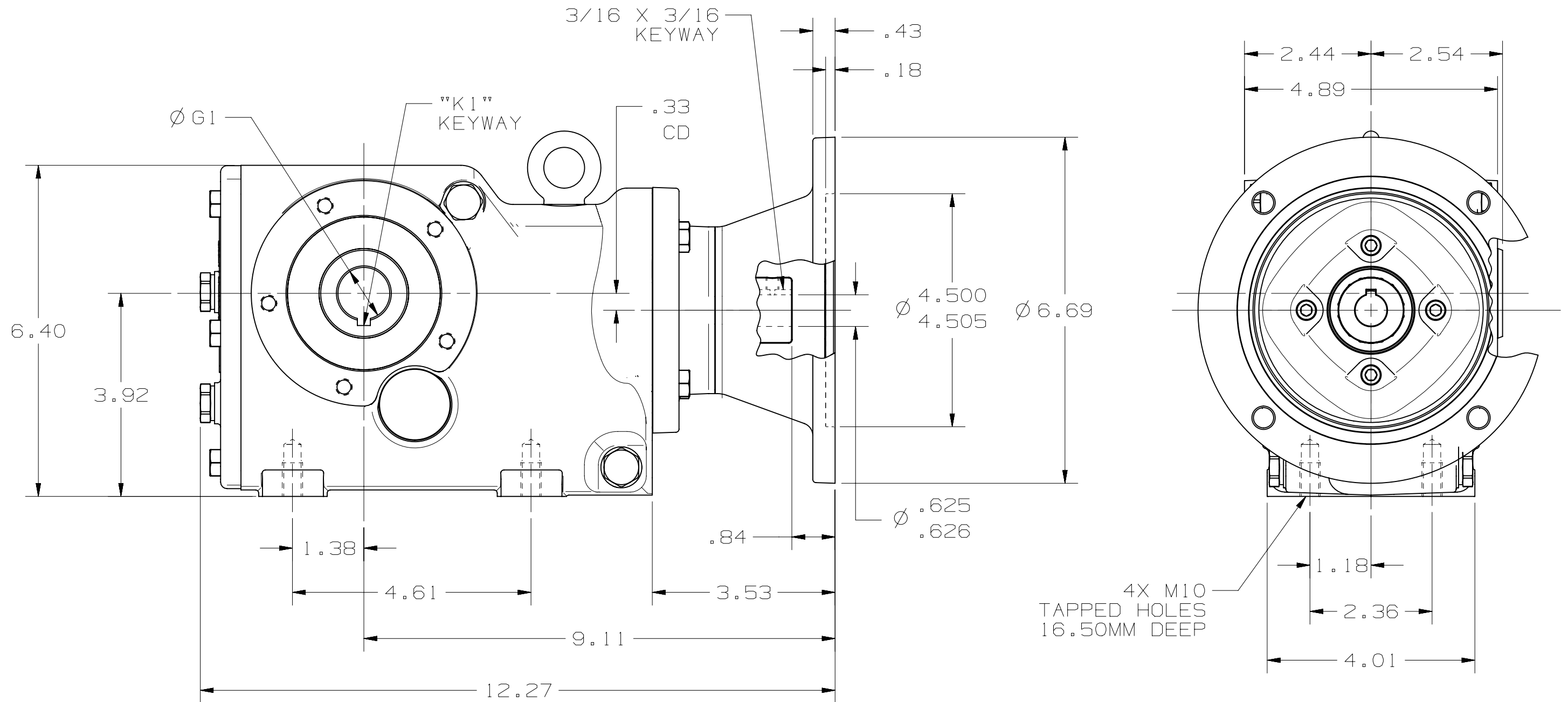


# BOSTON GEAR®

## RF2033RB5HPXX OUTLINE DWG



DIMENSIONS TO ROUGH  
CASTINGS ARE APPROXIMATE

SHAFT SIZE	$\phi G1$	K1 KEYWAY
P16	1.000	1/4 X 1/4
P19	1.1875	1/4 X 1/4
P20	1.250	1/4 X 1/4
PM30	30mm	8mm X 8mm