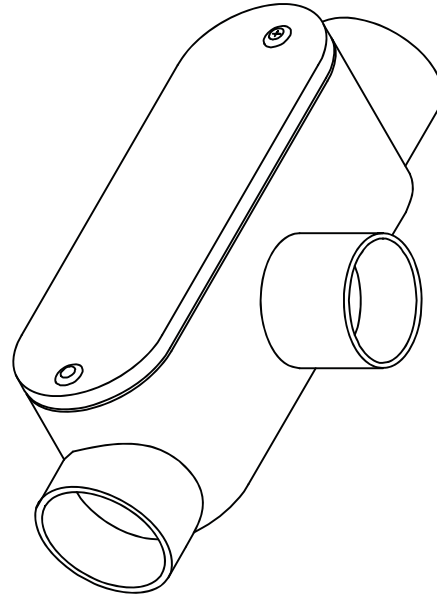




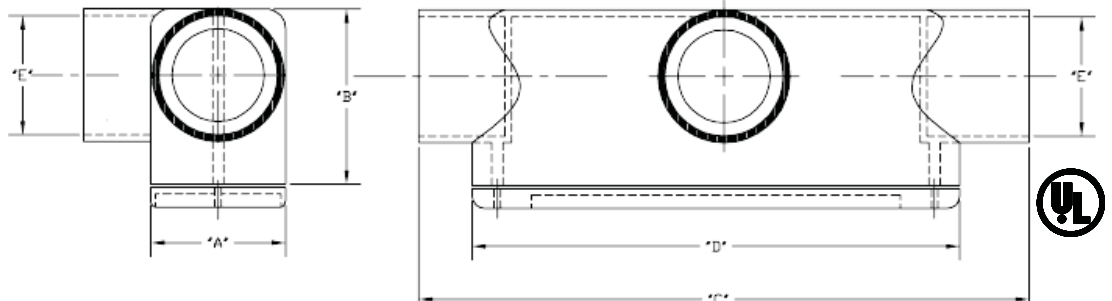
Conduit Body - Type T

Rectangular shaped conduit body with removable cover.

The fitting consist of three conduit hubs. One entrance hub is in each end wall of the conduit body and one at 90° in the middle of the side wall.



UL Listed
 UL File # E98429
 UL Category Code QCMZ
 UL Control Number 39N9
 See NEC Article 314 for use
 Material is Rigid PVC
 Gasket Closed Cell Neoprene
 Screws are Zinc Plated Steel



Part Number	Size	Item Weight	"A"	"B"	"C"	"D"	"E"	Volume Cu. In.	3-wire Fill
GR5133563	1/2	0.19	1.313	1.500	4.625	4.000	0.875	4.30	#6 or smaller
GR5133564	3/4	0.26	1.500	1.688	5.375	4.625	1.063	6.50	#6 or smaller
GR5133565	1	0.37	1.750	2.000	6.563	5.375	1.313	11.80	#6 or smaller
GR5133566	1 1/4	0.71	2.500	2.500	8.188	7.188	1.688	25.00	XHHW #1
GR5133567	1 1/2	0.93	2.625	2.813	9.250	8.000	1.938	36.50	XHHW #2/0
GR5133568	2	1.56	3.125	3.375	10.375	9.500	2.375	63.50	XHHW #4/0
*GR5133569	2 1/2	4.94	4.625	4.625	19.000	12.875	3.500	198.00	XHHW 500 MCM
GR5133570	3	4.52	4.625	4.625	19.000	12.875	3.500	198.00	XHHW 500 MCM
*GR5133572	3 1/2	8.83	5.563	5.563	20.375	13.750	4.000	305.00	XHHW 500 MCM
GR5133571	4	7.61	5.563	5.563	20.188	13.875	4.500	305.00	XHHW 500 MCM

* Reducer bushing installed in next larger size