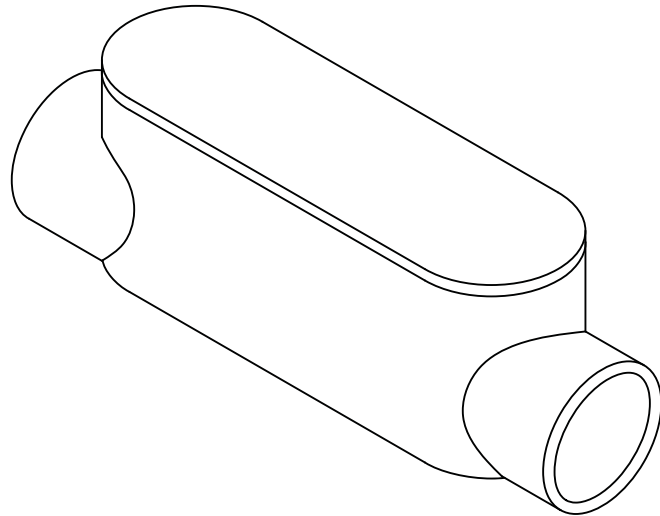




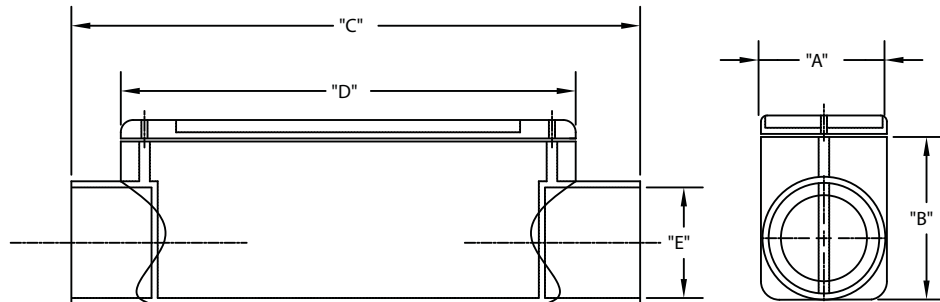
Conduit Body - Type C

Rectangular shaped conduit body with removable cover. Used as a connector in straight line installations which allows access for wire pulling and limited wire splices as allowed by the National Electrical Code (NEC).

The fitting consist of one conduit hub at each end.



UL Listed
 UL File # E98429
 UL Category Code QCMZ
 UL Control Number 39N9
 See NEC Article 314 for use
 Material is Rigid PVC
 Gasket Closed Cell Neoprene
 Screws are Zinc Plated Steel



Part Number	Size	Item Weight	"A"	"B"	"C"	"D"	"E"	Volume Cu. In.	3-wire Fill
GR5133101	1/2	0.19	1.313	1.500	4.625	4.000	0.875	4.30	#6 or smaller
GR5133102	3/4	0.26	1.500	1.688	5.375	4.625	1.063	6.50	#6 or smaller
GR5133103	1	0.37	1.750	2.000	6.563	5.375	1.313	11.80	#6 or smaller
GR5133104	1 1/4	0.68	2.500	2.500	8.188	7.188	1.688	25.00	XHHW #1
GR5133105	1 1/2	0.88	2.625	2.813	9.250	8.000	1.938	36.50	XHHW #2/0
GR5133106	2	1.50	3.125	3.375	10.375	9.500	2.375	63.50	XHHW #4/0
*GR5133108	2 1/2	4.35	4.625	4.625	19.000	12.875	2.875	198.00	XHHW 500 MCM
GR5133107	3	4.43	4.625	4.625	19.000	12.875	3.500	198.00	XHHW 500 MCM
*GR5133110	3 1/2	6.05	5.563	5.563	20.375	13.875	4.000	305.00	XHHW 500 MCM
GR5133109	4	6.27	5.563	5.563	20.375	13.875	4.500	305.00	XHHW 500 MCM

* Reducer bushing installed in next larger size