

Surge Protection Made Simple™ for UL Applications

Single Pole BSP UL Series for 120, 240 and 347Vac Single-Phase 2 Wire Systems



Description

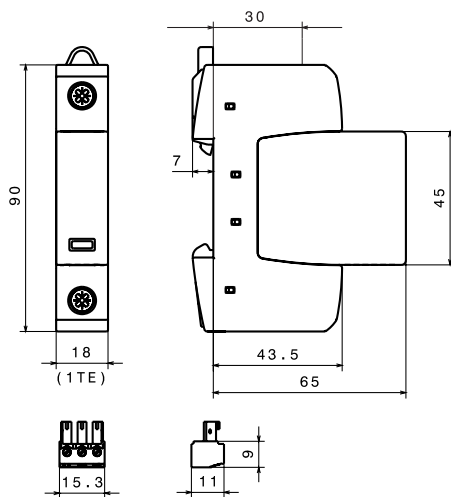
The Cooper Bussmann single pole UL modular surge arresters for 120, 240 and 347Vac single-phase systems feature local, *easyID*™ visual indication and optional remote contact signaling. The unique module locking system fixes the protection module to the base part. Modules can be easily replaced without tools by simply depressing the release buttons. Integrated mechanical coding between the base and protection module ensures against installing an incorrect replacement module.

- Surge arrester according to UL 1449 3rd Edition, Type 2 Component Assembly helps meet UL 508A requirements
- Heavy-duty zinc oxide varistors for high discharge capacity
- "Thermo Dynamic Control" SPD monitoring device ensures high reliability against surge events
- Module locking system with module release button makes module replacement easy without tools
- Up to 200kA Short-Circuit Current Rating (SCCR) makes higher *assembly* SCCR ratings possible
- Optional remote signaling of all protection modules makes status monitoring easy and accurate in any monitoring scheme
- No upstream overcurrent protection necessary to make installation easier and more economical
- Vibration and shock tested according to EN 60068-2 to withstand harsh environments

Optional Remote Signaling Contact

The remote signaling contact versions have a floating changeover contact for use as a break or make contact for easy adoption in any monitoring application.

Dimensions - mm



Shown with optional remote contact signaling



BSPM1120S2G
BSPM1240S2G
BSPM1347S2G



easyID™
Visual Status Indication

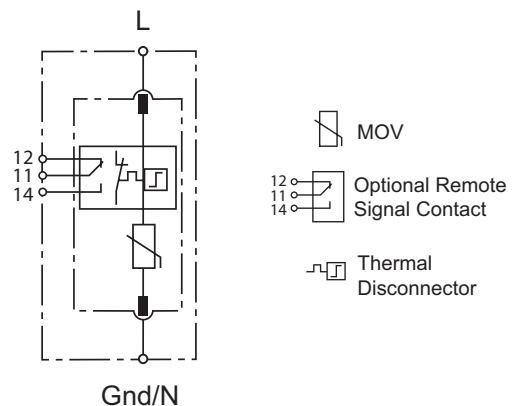


Remote Signal
Contact Available



SCCR Rated BSP UL Series (Type 2)

Circuit Diagram



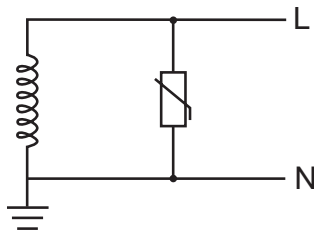
BSPM1120S2G, BSPM1240S2G, BSPM1347S2G*

Shown with optional remote contact signaling

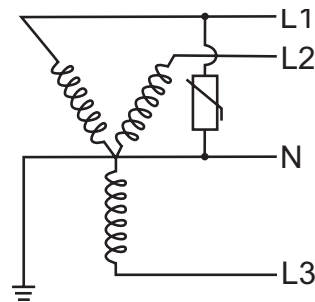
* For remote signaling contact, add "R" suffix to the part number. E.g., BSPM1347S2GR

ORDERING INFORMATION				
Nominal System Voltage		120Vac	240, 277 or 240 & 277Vac	347Vac
Max. Continuous Operating AC Voltage (MCOV) [V _C]		275Vac	385Vac	600Vac
Catalog Numbers:	Without Remote Signaling	BSPM1120S2G	BSPM1240S2G	BSPM1347S2G
	With Remote Signaling	BSPM1120S2GR	BSPM1240S2GR	BSPM1347S2GR
Replacement Module	MOV Technology	BPM275UL	BPM385UL	BPM600UL
SPECIFICATIONS				
Rated Voltage		120-127Vac	240-277Vac	347Vac
Voltage Protection Rating V _{PR}		1kV	1.5kV	2kV
SCCR		200kA	200kA	125kA
Nominal Discharge Current I _n (kA)			20kA	
Max. Discharge Current I _{max} (kA)			40kA	
Response Time t _A			≤25 ns	
Frequency			50/60Hz	
Number of Poles			1	
Number of Wires/Connection Points			2 Wires / 2 Connection Points	
Operating State/Fault Indication			Green (good) / Red (replace)	
Cross-Sectional Area (min.)			14AWG - Cu Stranded, Solid or Fine	
Cross-Sectional Area (max.)			2AWG - Cu Solid or Stranded / 4AWG - Cu Fine	
Terminal Torque			45 lb-in	
For Mounting On			35mm DIN Rail per to EN 60715	
Enclosure Material			Thermoplastic, UL 94V0	
Degree of Protection			IP20 (finger-safe)	
Location Category			Indoor	
Capacity			1 Mods, DIN 43880	
Application			UL Type 2 Component Assembly	
Standard			UL 1449, 3 rd Edition	
Agency Information			cURus, RoHS Compliant	
Product Warranty			Five Years*	
REMOTE CONTACT SIGNALING				
Remote Contact Signaling Type			Changeover Contact	
AC Switching Capacity (Volts/Amps)			250V/0.5A	
DC Switching Capacity (Volts/Amps)			250V/0.1A; 125V/0.2A; 75V/0.5A	
Conductor Ratings and Cross-Sectional Area for Remote Contact Signal Terminals			60/75°C Max. 1.5mm ² /14AWG Solid/Flexible	
Ordering Information			Order from Catalog Numbers Above	

* See Cooper Bussmann SPD Limited Warranty Statement (3A1502) for details at www.cooperbussmann.com/surge.



120, 240, 347Vac 2 Wire Systems



120, 277, 347Vac 2 Wire Wye Systems

Part Numbers for all systems BSPM1120S2G, BSPM1240S2G, BSPM1347S2G

The only controlled copy of this Data Sheet is the electronic read-only version located on the Cooper Bussmann Network Drive. All other copies of this document are by definition uncontrolled. This bulletin is intended to clearly present comprehensive product data and provide technical information that will help the end user with design applications. Cooper Bussmann reserves the right, without notice, to change design or construction of any products and to discontinue or limit distribution of any products. Cooper Bussmann also reserves the right to change or update, without notice, any technical information contained in this bulletin. Once a product has been selected, it should be tested by the user in all possible applications.