

## Surge Protection Made Simple™ for UL Applications

2-Pole BSP UL Series for 120/240, 120/208, 127/254, 240, 240/480, 277/480 and 480Vac Single Phase & Three Phase 2 Wire / 3 Wire Systems



### Description

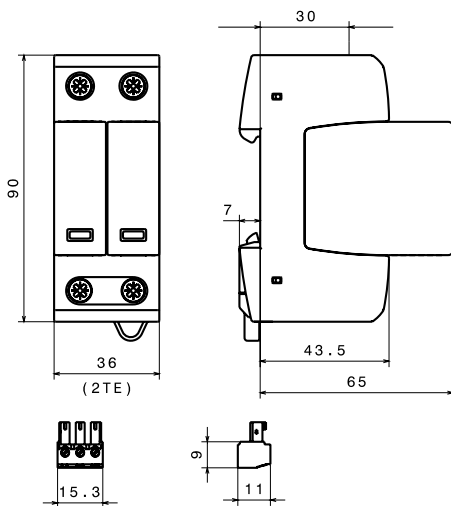
The Cooper Bussmann 2-pole UL modular surge arresters for 120/240, 120/208, 127/254, 240, 240/480, 277/480 and 480Vac (split-phase) systems feature local, *easyID*™ visual indication and optional remote contact signaling. The unique module locking system fixes the protection module to the base part. Modules can be easily replaced without tools by simply depressing the release buttons. Integrated mechanical coding between the base and protection module ensures against installing an incorrect replacement module.

- Surge arrester according to UL 1449 3<sup>rd</sup> Edition, Type 2 Component Assembly helps meet UL 508A requirements
- Heavy-duty zinc oxide varistors for high discharge capacity
- "Thermo Dynamic Control" SPD monitoring device ensures high reliability against surge events
- Module locking system with module release button make module replacement easy without tools
- Up to 200kA Short-Circuit Current Rating (SCCR) make higher *assembly* SCCR ratings possible
- Optional remote signaling of all protection modules make status monitoring easy and accurate in any monitoring scheme
- No upstream overcurrent protection necessary to make installation easier and more economical
- Vibration and shock tested according to EN 60068-2 to withstand harsh environments

### Optional Remote Signaling Contact

The remote signaling contact versions have a floating changeover contact for use as a break or make contact for easy adoption in any monitoring application.

### Dimensions - mm



Shown with optional remote contact signaling



BSPM2240S3G  
BSPM2480S3G



*easyID*™  
Visual Status Indication

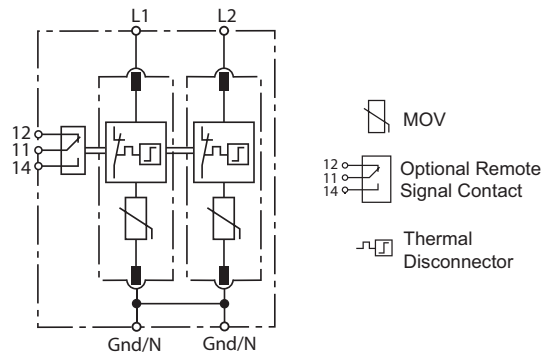


Remote Signal Contact Available



**SCCR Rated  
BSP UL Series (Type 2)**

### Circuit Diagram



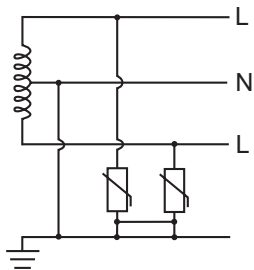
BSPM2240S3G, BSPM2480S3G\*

Shown with optional remote contact signaling

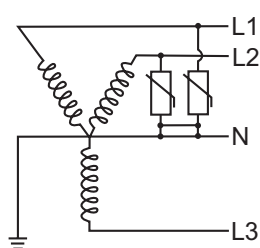
\* For remote signaling contact, add "R" suffix to the part number. E.g., BSPM2480S3GR

ORDERING INFORMATION			
Nominal System Voltage		120/240, 240Vac	240/480Vac
Max. Continuous Operating Voltage MCOV	[L-G/L-L]	275/550Vac	385/770Vac
Catalog Numbers:	Without Remote Signaling	BSPM2240S3G	BSPM2480S3G
	With Remote Signaling	BSPM2240S3GR	BSPM2480S3GR
Replacement Module	MOV Technology	BPM275UL	BPM385UL
SPECIFICATIONS			
Rated Voltage		120-127Vac 240-254Vac 240Vac	240-480Vac 480Vac
Voltage Protection Rating $V_{PR}$ [L-G/L-L]		1kV/1.8kV	1.5kV/2.5kV
Nominal Discharge Current $I_n$ (kA)			20kA
Max. Discharge Current $I_{max}$ (kA)			40kA
Response Time $t_A$			$\leq 25$ ns
SCCR			200kA
Frequency			50/60Hz
Number of Poles			2
Number of Wires/Connection Points			2 Wires or 3 Wires / 3 Connection Points
Operating State/Fault Indication			Green (good) / Red (replace)
Cross-Sectional Area (min.)			14AWG - Cu Stranded, Solid or Fine
Cross-Sectional Area (max.)			2AWG - Cu Solid or Stranded, 4AWG - Cu Fine
Terminal Torque			45 lb-in
For Mounting On			35mm DIN-Rail per EN 60715
Enclosure Material			Thermoplastic, UL 94V0
Degree of Protection			IP20 (finger-safe)
Location Category			Indoor
Capacity			2 mods, DIN 43880
Application			UL Type 2 Component Assembly
Standard			UL 1449, 3 <sup>rd</sup> Edition
Agency Information			cURus, RoHS Compliant
Product Warranty			Five Years*
REMOTE CONTACT SIGNALING			
Remote Contact Signaling Type			Changeover Contact
AC Switching Capacity (Volts/Amps)			250V/0.5A
DC Switching Capacity (Volts/Amps)			250V/0.1A; 125V/0.2A; 75V/0.5A
Conductor Ratings and Cross-Sectional Area for Remote Contact Signal Terminals			60/75°C Max. 1.5mm <sup>2</sup> /14AWG Solid/Flexible
Ordering Information			Order from Catalog Numbers Above

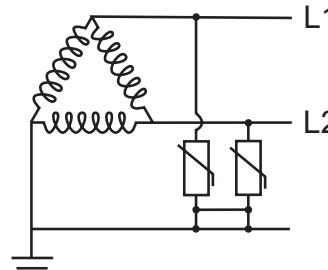
\* See Cooper Bussmann SPD Limited Warranty Statement (3A1502) for details at [www.cooperbussmann.com/surge](http://www.cooperbussmann.com/surge).



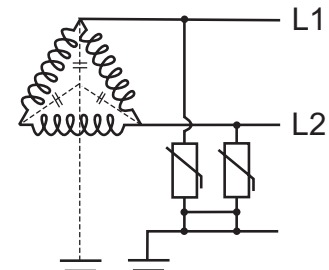
120/240V, 240/480Vac  
Single Phase (Split) Center Tap  
**BSPM2240S3G, BSPM2480S3G**



120/208V, 277/480Vac  
3 Wire Wye System  
**BSPM2240S3G, BSPM2480S3G**



2 Wire Corner Grounded Delta



240, 480Vac  
2 Wire Ungrounded Delta  
**BSPM2440S3G, BSPM2480S3G**

The only controlled copy of this Data Sheet is the electronic read-only version located on the Cooper Bussmann Network Drive. All other copies of this document are by definition uncontrolled. This bulletin is intended to clearly present comprehensive product data and provide technical information that will help the end user with design applications. Cooper Bussmann reserves the right, without notice, to change design or construction of any products and to discontinue or limit distribution of any products. Cooper Bussmann also reserves the right to change or update, without notice, any technical information contained in this bulletin. Once a product has been selected, it should be tested by the user in all possible applications.