

Surge Protection Made Simple™ for UL Applications

4-Pole BSP UL Series for 120/240, 240/480Vac Three Phase 4 Wire Highleg Delta and 120/208, 127/220, 277/480 and 347/600Vac Three Phase 4 Wire Wye Systems



Description

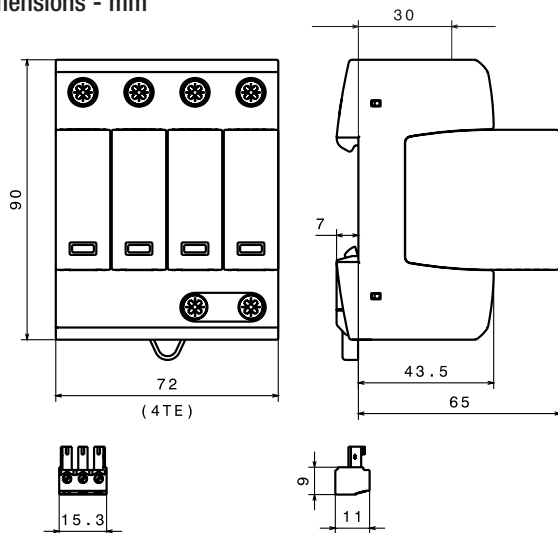
The Cooper Bussmann 4-pole UL modular surge arresters for 120/240, 240/480Vac 3-phase Highleg Delta and 120/208, 127/220, 277/480 and 347/600Vac 3-phase 4 wire Wye systems feature local, *easyID*™ visual indication and optional remote contact signaling. The unique module locking system fixes the protection module to the base part. Modules can be easily replaced without tools by simply depressing the release buttons. Integrated mechanical coding between the base and protection module ensures against installing an incorrect replacement module.

- Surge arrester according to UL 1449 3rd Edition, Type 2 Component Assembly helps meet UL 508A requirements
- Heavy-duty zinc oxide varistors for high discharge capacity
- "Thermo Dynamic Control" SPD monitoring device ensures high reliability against surge events
- Module locking system with module release button make module replacement easy without tools
- Up to 200kA Short-Circuit Current Rating (SCCR) make higher *assembly* SCCR ratings possible
- Optional remote signaling of all protection modules make status monitoring easy and accurate in any monitoring scheme
- No upstream overcurrent protection necessary to make installation easier and more economical
- Vibration and shock tested according to EN 60068-2 to withstand harsh environments

Optional Remote Signaling Contact

The remote signaling contact versions have a floating changeover contact for use as a break or make contact for easy adoption in any monitoring application.

Dimensions - mm



Shown with optional remote contact signaling



BSPM4208WYNG
BSPM4480WYNG
BSPM4600WYNG
BSPM4240HLG
BSPM4480HLG



easyID™
Visual Status Indication

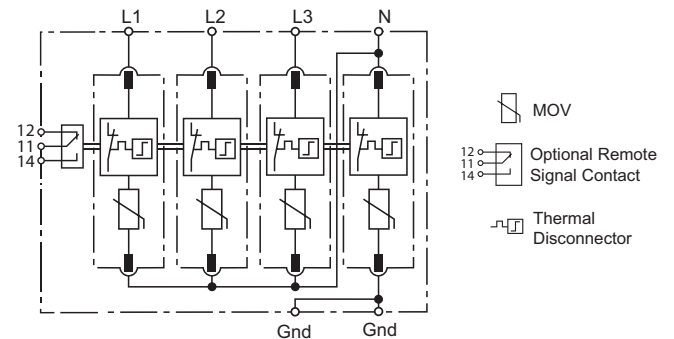


Remote Signal
Contact Available



**SCCR Rated
BSP UL Series (Type 2)**

Circuit Diagram



**BSPM4208WYNG, BSPM4480WYNG, BSPM4600WYNG
BSPM4240HLG, BSPM4480HLG***

Shown with optional remote contact signaling

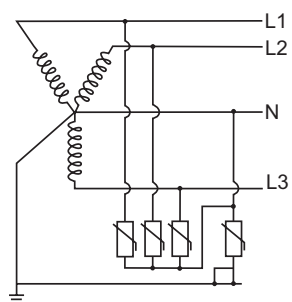
* For remote signaling contact, add "R" suffix to the part number. E.g., BSPM4480HLGR

ORDERING INFORMATION						
Nominal System Voltage		120/208Vac, 127/220Vac	120/240Vac	240/480Vac	277/480Vac	347/600Vac
Max. continuous operating AC voltage MCOV	[L-N]/[L-G]	275/550Vac	275/550Vac	385/770Vac	385/660Vac	600/875Vac
	[N-G]/[L-L]	275/550Vac	275/550Vac	385/770Vac	275/770Vac	275/1200Vac
	[H-N]/[H-G]	--	275/550Vac	600/985Vac	--	--
	[H-L]	--	550Vac	985Vac	--	--
Catalog Numbers:	Without Remote Signaling	BSPM4208WYNG	BSPM4240HLG	BSPM4480HLG	BSPM4480WYNG	BSPM4600WYNG
	With Remote Signaling	BSPM4208WYNGR	BSPM4240HLGR	BSPM4480HLGR	BSPM4480WYNGR	BSPM4600WYNGR
Replacement Modules	Module Positions	L1 or L3	BPM275UL	BPM275UL	BPM385UL	BPM385UL
MOV Technology		L2	BPM275UL	BPM275UL	BPM600UL	BPM385UL
Four (4) Total Required		N	BPM275UL	BPM275UL	BPM385UL	BPM275UL

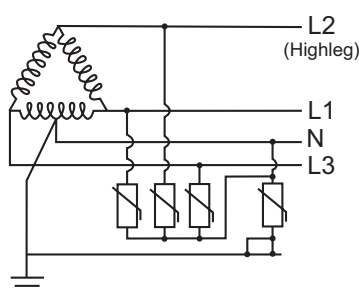
SPECIFICATIONS						
Rated Voltage		120/208Vac, 127/220Vac	120/240Vac	240/480Vac	277/480Vac	347/600Vac
Voltage Protection Rating V_{PR}	[L-N/L-G]	1kV/1.8kV	1kV/1.8kV	1.5kV/2.5kV	1.5kV/2.5kV	2kV/3kV
	[N-G/L-L]	1kV/1.8kV	1kV/1.8kV	1.5kV/2.5kV	1kV/2.5kV	1kV/4kV
	[H-N/H-G]	--	1kV/1.8kV	2kV/3kV	--	--
	[H-L]	--	1.8kV	3kV	--	--
SCCR		200kA	200kA	125kA	200kA	125kA
Nominal Discharge Current I_n (kA)				20kA		
Max. Discharge Current I_{max} (kA)				40kA		
Response Time t_A				≤ 25 ns		
Frequency				50/60Hz		
Number of Poles				4		
Number of Wires/Connection Points				4 Wires / 5 Connection Points		
Operating State/Fault Indication				Green (good) / Red (replace)		
Cross-Sectional Area (min.)				14AWG - Cu Stranded, Solid or Fine		
Cross-Sectional Area (max.)				2AWG - Cu Solid or Stranded, 4AWG - Cu Fine		
Terminal Torque				45 lb-in		
For Mounting On				35mm DIN-Rail per to EN 60715		
Enclosure Material				Thermoplastic, UL 94V0		
Degree of Protection				IP20 (finger-safe)		
Location Category				Indoor		
Capacity				4 Mods, DIN 43880		
Application				UL Type 2 Component Assembly		
Standard				UL 1449, 3 rd edition		
Agency Information				cJURus, RoHS Compliant		
Product Warranty				Five Years*		

REMOTE CONTACT SIGNALING	
Remote Contact Signaling Type	Changeover Contact
AC Switching Capacity (Volts/Amps)	250V/0.5A
DC Switching Capacity (Volts/Amps)	250V/0.1A; 125V/0.2A; 75V/0.5A
Conductor Ratings and Cross-Sectional Area for Remote Contact Signal Terminals	60/75°C Max. 1.5mm ² /14AWG Solid/Flexible
Ordering Information	Order from Catalog Numbers Above

* See Cooper Bussmann SPD Limited Warranty Statement (3A1502) for details at www.cooperbussmann.com/surge.



120/208V, 127/220V, 277/480V, 347/600Vac
Wye 3-Phase, 4 Wire + Ground
**BSPM4208WYNG, BSPM4480WYNG,
BSPM4600WYNG**



120/240V, 240/480Vac
Highleg Delta, 3-Phase, 4 Wire + Ground
BSPM4240HLG, BSPM4480HLG

The only controlled copy of this Data Sheet is the electronic read-only version located on the Cooper Bussmann Network Drive. All other copies of this document are by definition uncontrolled. This bulletin is intended to clearly present comprehensive product data and provide technical information that will help the end user with design applications. Cooper Bussmann reserves the right, without notice, to change design or construction of any products and to discontinue or limit distribution of any products. Cooper Bussmann also reserves the right to change or update, without notice, any technical information contained in this bulletin. Once a product has been selected, it should be tested by the user in all possible applications.