

®
Dayton



Ash Vacuum

COMMERCIAL/INDUSTRIAL USE

Model 22XJ65

®
Dayton

**PLEASE READ AND SAVE
THESE INSTRUCTIONS.
READ CAREFULLY
BEFORE ATTEMPTING
TO ASSEMBLE, INSTALL,
OPERATE OR MAINTAIN THE
PRODUCT DESCRIBED.**

**PROTECT YOURSELF AND
OTHERS BY OBSERVING ALL
SAFETY INFORMATION. FAILURE
TO COMPLY WITH INSTRUCTIONS
COULD RESULT IN PERSONAL
INJURY AND/OR PROPERTY
DAMAGE! RETAIN INSTRUCTIONS
FOR FUTURE REFERENCE.**

**PLEASE REFER TO BACK COVER
FOR INFORMATION REGARDING
DAYTON'S WARRANTY
AND OTHER IMPORTANT
INFORMATION.**

Model #: _____

Serial #: _____

Purch. Date: _____

*Form 5S7397 / Printed in China
07985 Version 0 7/2013*

**© 2013 Dayton Electric Manufacturing Co.
All Rights Reserved**

IMPORTANT SAFETY INSTRUCTIONS



**ALWAYS WEAR
EYE PROTECTION**

⚠ DANGER



Never operate this unit when flammable materials or vapors are present because electrical devices produce arcs or sparks that can cause a fire or explosion. NEVER OPERATE UNATTENDED!

When using an electrical appliance, basic precautions should always be followed, including the following: **READ ALL INSTRUCTIONS BEFORE USING THIS APPLIANCE. DO NOT PICK UP HOT OR WARM ASH MATERIALS.**

⚠ WARNING

TO REDUCE THE RISK OF FIRE, ELECTRIC SHOCK, OR INJURY:



1. Do not leave appliance when plugged in. Unplug from outlet when not in use and before servicing. Connect to a properly grounded outlet only. See Grounding Instructions.
2. Do not use on wet surfaces. Do not expose to rain—store indoors.
3. Do not allow to be used as a toy. Close attention is necessary when used by or near children.
4. Use only as described in this manual. Use only Manufacturer's recommended attachments.
5. Do not use with damaged cord or plug. If appliance is not working as it should, has been dropped, damaged, left outdoors or dropped into water, return it to a service center.
6. Do Not: pull or carry by cord, use cord as a handle, close a door on cord or pull cord around sharp edges or corners. Do not run appliance over cord. Keep cord away from heated surfaces.
7. Do not unplug by pulling on cord. To unplug, grasp the plug, not the cord.
8. Do not handle plug or appliance with wet hands.
9. Do not put any object into openings. Do not use with any openings blocked; keep free of dust, lint, hair and anything that may reduce air flow.
10. Keep hair, loose clothing, fingers and all parts of body away from openings and moving parts.
11. Do not pick up anything that is burning or smoking, such as cigarettes, matches or hot ashes.
12. Do not use without filter in place.
13. Turn off all controls before unplugging.
14. Use extra care when cleaning on stairs.
15. Do not use to pick up flammable or combustible liquids such as gasoline or use in areas where they may be present.
16. Do not use your cleaner as a sprayer of flammable liquids such as oil base paints, lacquers, household cleaners, etc.
17. Do not vacuum toxic, carcinogenic, combustible or other hazardous materials such as asbestos, arsenic, barium, beryllium, lead, pesticides, or other health endangering materials. Specially designed units are available for these purposes.
18. Do not pick up ash; such as wood or coal ash; without cartridge filter in place. These are very fine particles that may pass through the wire screen and affect the performance of the motor or be exhausted back into the air.
19. Do not leave the cord lying on the floor once you have finished the cleaning job. It can become a tripping hazard.
20. Use special care when emptying heavily loaded tanks.
21. To avoid spontaneous combustion, empty tank after each use.
22. The operation of a utility vac can result in foreign objects being blown into eyes, which can result in eye damage. Always wear safety goggles when operating vacuum.
23. **STAY ALERT.** Watch what you are doing and use common sense. Do not use vacuum cleaner when you are tired, distracted or under the influence of drugs, alcohol, or medication causing diminished control.
24. **WARNING!** Do **NOT** use this vacuum cleaner to vacuum lead paint debris because this may disperse fine lead particles into the air. This vacuum cleaner is not intended for use under EPA Regulation 40 CFR Part 745 for lead paint material cleanup.

SAVE THESE INSTRUCTIONS

⚠ WARNING

DO NOT LEAVE VACUUM UNATTENDED WHEN IT IS PLUGGED IN AND/OR OPERATING. UNPLUG UNIT WHEN NOT IN USE.

GROUNDING INSTRUCTIONS

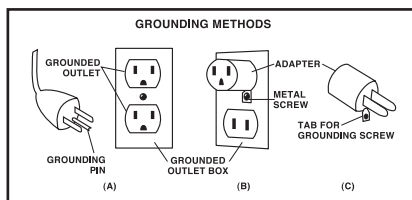
This appliance must be grounded. If it should malfunction or breakdown, grounding provides a path of least resistance for electric current to reduce the risk of electric shock. This appliance is equipped with a cord having an equipment-grounding conductor and grounding plug. The plug must be inserted into an appropriate outlet that is properly installed and grounded in accordance with all local codes and ordinances.

⚠ WARNING



IMPROPER CONNECTION OF THE EQUIPMENT-GROUNDING CONDUCTOR CAN RESULT IN A RISK OF ELECTRIC SHOCK. CHECK WITH A QUALIFIED ELECTRICIAN OR SERVICE PERSON IF YOU ARE IN DOUBT AS TO WHETHER THE OUTLET IS PROPERLY GROUNDED. DO NOT MODIFY THE PLUG PROVIDED WITH THE APPLIANCE – IF IT WILL NOT FIT THE OUTLET HAVE A PROPER OUTLET INSTALLED BY A QUALIFIED ELECTRICIAN.

This appliance is for use on a nominal 120-volt circuit, and has a grounded plug that looks like the plug illustrated in **sketch A**. A temporary adaptor that looks like the adaptor illustrated in **sketches B and C** may be used to connect this plug to a 2-pole receptacle as shown in **sketch B** if a properly grounded outlet is not available. The temporary adaptor should be used only until a properly grounded outlet (**sketch A**) can be installed by a qualified electrician. The green colored rigid ear, lug or the like extending from the adaptor must be connected to a permanent ground such as a properly grounded outlet box cover. Whenever the adaptor is used, it must be held in place by a metal screw.



IN CANADA, THE USE OF A TEMPORARY ADAPTOR IS NOT PERMITTED BY THE CANADIAN ELECTRICAL CODE. Make sure that the appliance is connected to an outlet having the same configuration as the plug. No adaptor should be used with this appliance.

⚠ WARNING *IF THE CORD IS DAMAGED, IT MUST BE REPLACED BY A SPECIAL CORD OR ASSEMBLY AVAILABLE FROM THE MANUFACTURER OR HIS AUTHORIZED SERVICE AGENT.*

EXTENSION CORDS

When using the appliance at a distance where an extension cord becomes necessary, a 3-conductor grounding cord of adequate size must be used for safety, and to prevent loss of power and overheating. Use the table to determine A.W.G. wire size required. To determine ampere rating of your vacuum, refer to nameplate located on motor housing/cover. Before using appliance, inspect power cord for loose or exposed wires and damaged insulation. Make any needed repairs or replacements before using your appliance. Use only three-wire outdoor extension cords which have three-prong grounding-type plugs and three-pole receptacles which accept the extension cord's plug.

NOTE: STATIC SHOCKS ARE COMMON IN DRY AREAS OR WHEN THE RELATIVE HUMIDITY OF THE AIR IS LOW. THIS IS ONLY TEMPORARY AND DOES NOT AFFECT THE USE OF THE APPLIANCE. TO REDUCE THE FREQUENCY OF STATIC SHOCKS IN YOUR HOME, THE BEST REMEDY IS TO ADD MOISTURE TO THE AIR WITH A CONSOLE OR INSTALLED HUMIDIFIER.

Volts	Total length of cord in feet			
	25	50	100	150
120V				
Ampere Rating More Than	Not More Than	AWG		
0 - 6	18	16	16	14
6 - 10	18	16	14	12
10 - 12	16	16	14	12
12 - 16	14	12	Not recommended	

SPECIFICATIONS

22XJ65

Tank Style	Stainless Steel
Tank Capacity	5 Gal. (18.9 liters)
Electrical Rating	120V, 60 Hz AC 6.3 Amps
Static Pressure	40" (101.6 cm)
Air Movement	80 cfm (2.3 m ³ /min)

BEFORE YOU BEGIN



Tools Needed:

- Safety glasses

UNPACKING

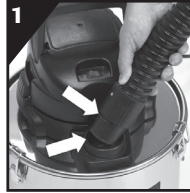
- Pull metal clamps in an outward motion; remove tank cover and any items that may have been shipped in the tank.
- Replace tank cover and apply pressure with thumbs to each clamp until it snaps into place. Make sure all three clamps are clamped securely and tank cover is secured to tank.
- Refer to the installing the cartridge filter section to ensure you have the filter properly installed for your cleaning operation.
- Insert machine hose end into inlet of tank by lining up the tabs on the sides of the hose end with the slots in the inlet

UNPACKING (CONTINUED)

- (Figure 1). Twist the hose end clockwise to lock into place.
5. Insert end of metal intake nozzle or metal crevice tool into end of hose. Twist slightly to form a tight fit.
 6. Plug the cord into the wall outlet. Your cleaner is ready for use. Refer to the operation section for proper usage of cleaner.
I = ON, O = OFF



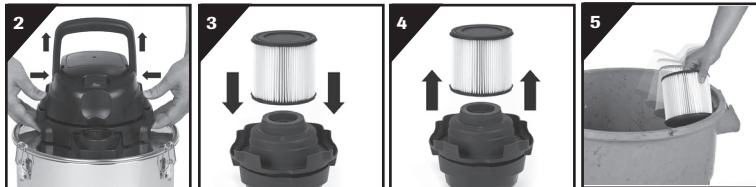
See General Safety Instructions on Page 1, and Cautions and Warnings as shown.



ASSEMBLY INSTRUCTIONS

INSTALLING THE CARTRIDGE FILTER

1. Always ensure the cartridge filter is in place before using your cleaner.
2. Place fingers in slots on each side of motor housing. Using thumbs, push plastic lid latches inward and pull up on motor housing until it is removed from the tank cover (Figure 2).
3. With the motor housing in an upside down position, slide the cartridge filter down over the mounting area, pushing until the filter seals tightly against the housing (Figure 3).
4. To remove the filter for cleaning, slide cartridge filter off mounting area (Figure 4).
5. Clean dry filter by gently tapping it on inside of waste can (Figure 5). It is recommended to clean the filter outdoors.
6. Check the filter for any holes or rips. If any are found, replace the filter.
7. Reinstall filter onto mounting area.
8. Replace motor housing onto tank cover. Push downward until each lid latch snaps tightly into place. Make sure motor housing is secured to tank top.



CAUTION

Keep Filters Clean

The efficiency of these vacuum cleaners is largely dependent on the filter.

A clogged filter can cause overheating and possibly damage the vacuum cleaner.

Clean or replace filters regularly. Do not use the vacuum or filters for collecting hazardous or other health endangering materials.

OPERATION INSTRUCTIONS

DANGER



This equipment incorporates parts such as switches, motors or the like that tend to produce arcs or sparks that can cause an explosion. Do not pick up flammable, combustible, or hot materials. Do not use around explosive liquids or vapors, as electrical devices produce arcs or sparks which can cause a fire or explosion - do not use at filling stations or anywhere gasoline is stored or dispensed.



DANGER

NEVER OPERATE UNATTENDED!

WARNING

ALWAYS DISCONNECT THE PLUG FROM THE WALL OUTLET BEFORE REMOVING THE TANK COVER OR MOTOR HOUSING.

1. Extinguish the fire. Do not extinguish the fire with water. The cleaner is for dry pick up only, do not vacuum wet ashes. Wait until the oven and ashes have completely cooled down before using your cleaner. Ashes that appear to have cooled down may still be hot inside and could reignite with airflow. Temperature exceeding 100° F (40° C) may damage the cleaner.

OPERATION INSTRUCTIONS (CONTINUED)

2. Turn the unit on and use the metal intake nozzle or metal crevice tool to vacuum up the debris. Never use the cleaner without the intake nozzle or crevice tool in place. **NOTE:** To prevent the unit from tipping over, do not pull on the hose.
3. If your cleaner shuts off during operation refer to Auto Re-Setting Thermal Protective Device section below.
4. During cleaning, check the hose, filter and cleaner for excessive temperature. If you notice a temperature rise, turn the cleaner off and disconnect the plug from the wall outlet immediately. In a safe area outside, empty the cleaner and remove any ashes on the filter. Allow the cleaner to cool down under close supervision.
5. After you have finished the cleaning job, run the unit for 30 seconds to ensure all debris has been deposited in the tank.
6. Empty and clean the tank. If there is any debris on the wire screen, located on the tank cover, carefully brush it off. Clean the cartridge filter following the instructions under the Installing the Cartridge Filter section in this manual.

NOTICE: Auto Re-Setting Thermal Protective Device.

This feature protects the unit by shutting off the cleaner should a pre-set temperature be exceeded. This condition typically occurs due to hot debris being present in the tank.

1. Turn the cleaner OFF and disconnect the plug from the wall outlet.
2. Move the cleaner to a safe area outside, remove the motor housing from the tank cover and allow to cool down under close supervision.
3. Check for a clogged, dirty cartridge filter. Clean or replace filter, if needed.
4. Check for a clogged, dirty wire screen. Carefully, brush off debris.
5. Check hose for blockage. Remove any obstruction found in hose.
6. The Thermal Protective Device will automatically reset in approximately 10 minutes, if the motor housing is removed from tank cover.
7. Wait until the oven and ashes have completely cooled down. Turn the cleaner ON and continue cleaning.

WARNING

IF THE CLEANER HAS BEEN USED TO PICK UP ANY DEBRIS OTHER THAN ASHES; THE TANK, TANK COVER, WIRE SCREEN, CARTRIDGE FILTER AND MOTOR HOUSING MUST BE COMPLETELY CLEANED BEFORE USING IT TO PICK UP ASHES. PICKING UP ASHES IN A UNIT CONTAINING OTHER DEBRIS COULD RESULT IN A FIRE SHOULD AN ASH REIGNITE AND TOUCH FLAMMABLE DEBRIS.

CAUTION

Emptying Tank

Use special care when emptying heavily loaded tanks. Your Dry Vacuum may be emptied of waste by removing the tank cover. To empty, switch off the vac and remove the plug from the wall receptacle. Remove the tank cover and empty the tank.

TROUBLESHOOTING GUIDE

Symptom	Possible Cause(s)	Corrective Action
Parts/accessories missing	1. Packed in tank	1. Check in tank
Cleaner will not start	1. No power at receptacle 2. Protective device enabled 3. Defective switch 4. Defective motor	1. Check for power 2. Review operation section in manual 3. Replace Power Unit 4. Replace Power Unit
Loss of suction	1. Loose hose connection 2. Filter clogged 3. Wire screen clogged 4. Full tank 5. Hose clogged	1. Tighten hose connection 2. Clean or replace filter 3. Clean wire screen 4. Empty tank 5. Clear obstruction
Static shock	1. Dry environment 2. Relative humidity of air is low	1. Add moisture to air (if practical, use a console or installed humidifier) 2. This situation is temporary and does not affect the use of the cleaner
Dust discharging from exhaust	1. Filter not installed/not installed properly 2. Filter damaged 3. Filter not functional	1. Properly install filter 2. Replace filter 3. Clean or replace filter

MAINTENANCE INSTRUCTIONS

WARNING

BE SURE TO DISCONNECT POWER SUPPLY BEFORE ATTEMPTING TO SERVICE OR REMOVE ANY COMPONENTS.

STORAGE

Before storing your cleaner, the tank must be emptied and cleaned. Clean the wire screen, tank cover and motor housing. Clean the cartridge filter following the instructions in the Installing the Cartridge Filter section. The power cord can be wound around the housing for convenience. **This cleaner should be stored indoors.**

LUBRICATION

No lubrication is necessary as the motor is equipped with lifetime lubricated bearings.

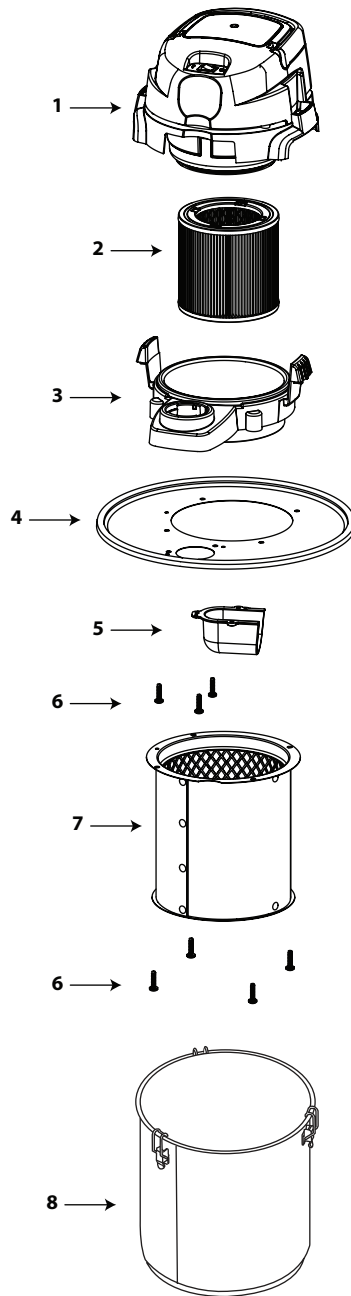
SERVICE

Do not attempt to service your Dayton dry vacuum cleaner beyond that described in this manual. Refer all other servicing to a qualified service center.

WARNING

IF ANY OF THE MOTOR HOUSING PARTS SHOULD BECOME DETACHED OR BROKEN, EXPOSING THE MOTOR OR ANY OTHER ELECTRICAL COMPONENTS, OPERATION SHOULD BE DISCONTINUED IMMEDIATELY TO AVOID PERSONAL INJURY OR FURTHER DAMAGE TO THE VACUUM. REPAIRS SHOULD BE MADE BEFORE REUSING THE VACUUM.

REPAIR PARTS ILLUSTRATION FOR 22XJ65



For Repair Parts, call 1-800-323-0620
24 hours a day – 365 days a year

Please provide following information:

- Model number
- Serial number (if any)
- Part description and number as shown in parts list

REPAIR PARTS LIST FOR 22XJ65

Ref. No.	Description	Part Number for Model: 22XJ65	Qty.
1	=Power Unit Assembly	1945297	1
2	Cartridge Filter	9159800	1
3	Tank Spacer	2340600	1
4	Lid and Gasket Assembly	1945051	1
5	Inlet Deflector	2341400	1
6	Screw 10 x 3/4 Trilobe	1517699	7
7	Screen Assembly	2723760	1
8	Tank Assembly	1945215	1
Δ	4' (1.2m) x 1 1/2" (3.8cm) vinyl covered locking flexible steel hose	2635196	1
Δ	Metal Crevice Tool	3280010	1
Δ	Metal Intake Nozzle	3261400	1

(=) Replacement parts not available for power unit.

Δ Not Shown

Do not attempt to service your Dayton vacuum beyond that described in the Operating Instructions and Parts Manual.

DAYTON ONE-YEAR LIMITED WARRANTY

DAYTON ONE-YEAR LIMITED WARRANTY. All Dayton® product models covered in this manual are warranted by Dayton Electric Mfg. Co. ("Dayton") to the original user against defects in workmanship or materials under normal use for one year after date of purchase. If the Dayton product is part of a set, only the portion that is defective is subject to this warranty. Any product or part which is determined to be defective in material or workmanship and returned to an authorized service location, as Dayton or Dayton's designee designates, shipping costs prepaid, will be, as the exclusive remedy, repaired or replaced with a new or reconditioned product or part of equal utility or a full refund given, at Dayton's or Dayton's designee's option, at no charge. For limited warranty claim procedures, see "Warranty Service" below. This warranty is void if there is evidence of misuse, mis-repair, mis-installation, abuse or alteration. This warranty does not cover normal wear and tear of Dayton products or portions of them, or products or portions of them which are consumable in normal use. This limited warranty gives purchasers specific legal rights, and you may also have other rights which vary from jurisdiction to jurisdiction.

WARRANTY DISCLAIMERS AND LIMITATIONS OF LIABILITY RELATING TO ALL CUSTOMERS FOR ALL PRODUCTS

LIMITATION OF LIABILITY. TO THE EXTENT ALLOWABLE UNDER APPLICABLE LAW, DAYTON'S LIABILITY FOR CONSEQUENTIAL AND INCIDENTAL DAMAGES IS EXPRESSLY DISCLAIMED. DAYTON'S LIABILITY IN ALL EVENTS IS LIMITED TO AND SHALL NOT EXCEED THE PURCHASE PRICE PAID.

WARRANTY DISCLAIMER. A DILIGENT EFFORT HAS BEEN MADE TO PROVIDE PRODUCT INFORMATION AND ILLUSTRATE THE PRODUCTS IN THIS LITERATURE ACCURATELY; HOWEVER, SUCH INFORMATION AND ILLUSTRATIONS ARE FOR THE SOLE PURPOSE OF IDENTIFICATION, AND DO NOT EXPRESS OR IMPLY A WARRANTY THAT THE PRODUCTS ARE MERCHANTABILITY, OR FIT FOR A PARTICULAR PURPOSE, OR THAT THE PRODUCTS WILL NECESSARILY CONFORM TO THE ILLUSTRATIONS OR DESCRIPTIONS. EXCEPT AS PROVIDED BELOW, NO WARRANTY OR AFFIRMATION OF FACT, EXPRESSED OR IMPLIED, OTHER THAN AS STATED IN THE "LIMITED WARRANTY" ABOVE IS MADE OR AUTHORIZED BY DAYTON.

PRODUCT SUITABILITY. MANY JURISDICTIONS HAVE CODES AND REGULATIONS GOVERNING SALES, CONSTRUCTION, INSTALLATION, AND/OR USE OF PRODUCTS FOR CERTAIN PURPOSES, WHICH MAY VARY FROM THOSE IN NEIGHBORING AREAS. WHILE ATTEMPTS ARE MADE TO ASSURE THAT DAYTON PRODUCTS COMPLY WITH SUCH CODES, DAYTON CANNOT GUARANTEE COMPLIANCE, AND CANNOT BE RESPONSIBLE FOR HOW THE PRODUCT IS INSTALLED OR USED. BEFORE PURCHASE AND USE OF A PRODUCT, REVIEW THE SAFETY/SPECIFICATIONS, AND ALL APPLICABLE NATIONAL AND LOCAL CODES AND REGULATIONS, AND BE SURE THAT THE PRODUCT, INSTALLATION, AND USE WILL COMPLY WITH THEM.

CONSUMERS ONLY. CERTAIN ASPECTS OF DISCLAIMERS ARE NOT APPLICABLE TO CONSUMER PRODUCTS SOLD TO CONSUMERS; (A) SOME JURISDICTIONS DO NOT ALLOW THE EXCLUSION OR LIMITATION OF INCIDENTAL OR CONSEQUENTIAL DAMAGES, SO THE ABOVE LIMITATION OR EXCLUSION MAY NOT APPLY TO YOU; (B) ALSO, SOME JURISDICTIONS DO NOT ALLOW A LIMITATION ON HOW LONG AN IMPLIED WARRANTY LASTS, SO THE ABOVE LIMITATION MAY NOT APPLY TO YOU; AND (C) BY LAW, DURING THE PERIOD OF THIS LIMITED WARRANTY, ANY IMPLIED WARRANTIES OF MERCHANTABILITY OR FITNESS FOR A PARTICULAR PURPOSE APPLICABLE TO CONSUMER PRODUCTS PURCHASED BY CONSUMERS, MAY NOT BE EXCLUDED OR OTHERWISE DISCLAIMED.

THIS LIMITED WARRANTY ONLY APPLIES TO UNITED STATES PURCHASERS FOR DELIVERY IN THE UNITED STATES.

WARRANTY SERVICE

To obtain warranty service if you purchased the covered product directly from W.W. Grainger, Inc. ("Grainger"), (i) write or call or visit the local Grainger branch from which the product was purchased or another Grainger branch near you (see www.grainger.com for a listing of Grainger branches); or (ii) contact Grainger by going to www.grainger.com and clicking on the "Contact Us" link at the top of the page, then clicking on the "Email us" link; or (iii) call Customer Care (toll free) at 1-888-361-8649. To obtain warranty service if you purchased the covered product from another distributor or retailer, (i) go to www.grainger.com for Warranty Service; (ii) write or call or visit a Grainger branch near you; or (iii) call Customer Care (toll free) at 1-888-361-8649. In any case, you will need to provide, to the extent available, the purchase date, the original invoice number, the stock number, a description of the defect, and anything else specified in this Dayton One-Year Limited Warranty. You may be required to send the product in for inspection at your cost. You can follow up on the progress of inspections and corrections in the same ways. Title and risk of loss pass to buyer on delivery to common carrier, so if product was damaged in transit to you, file claim with carrier, not retailer, Grainger or Dayton. For warranty information for purchasers and/or delivery outside the United States, please use the following applicable contact information:

**Dayton Electric Mfg. Co.,
100 Grainger Parkway, Lake Forest, IL 60045 U.S.A.
or call +1-888-361-8649**