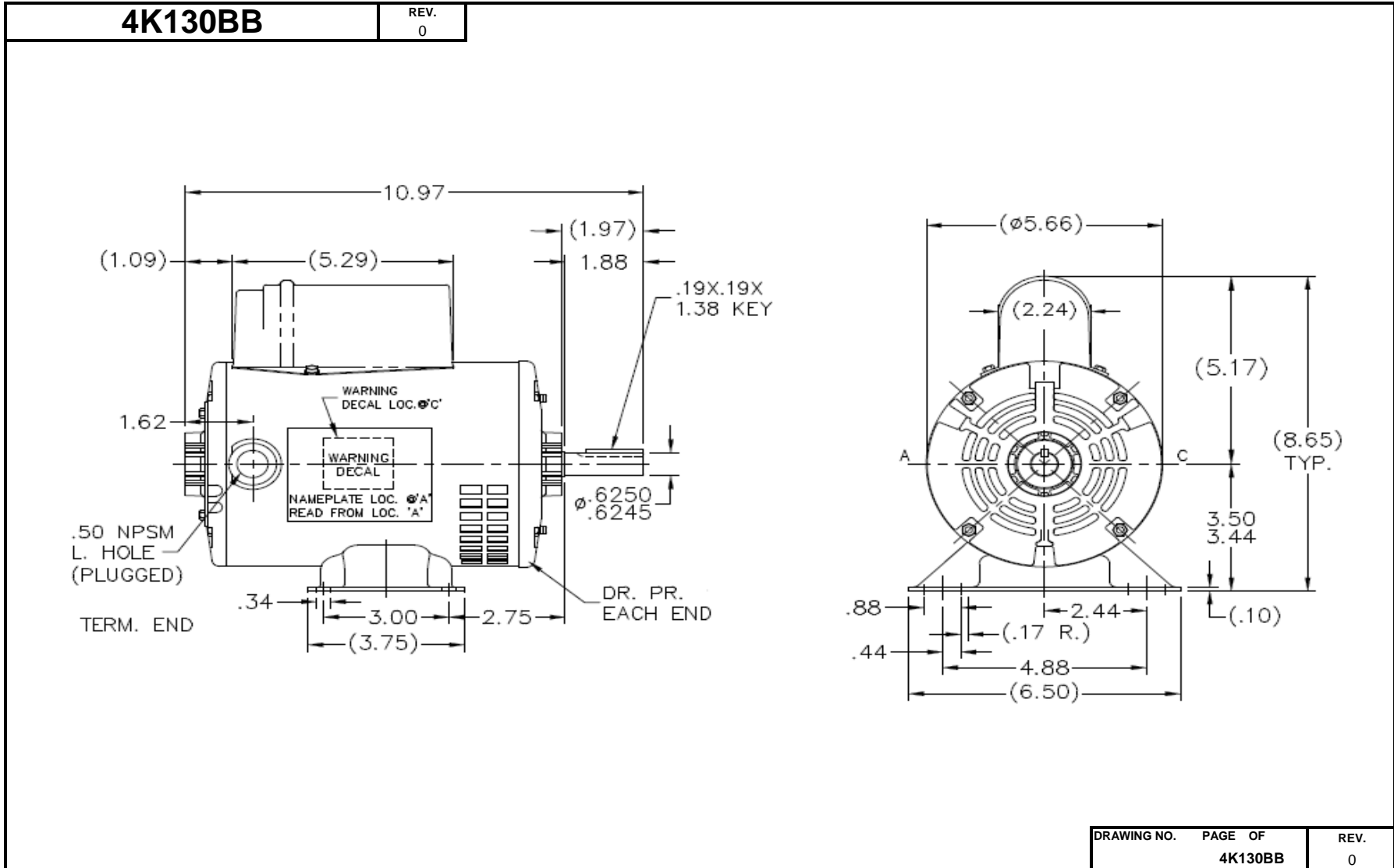


# Dimensional Drawing



DRAWING NO.	PAGE OF	REV.
4K130BB	1	0