

Dayton High-Head Multi-Stage Pressure Booster Pumps



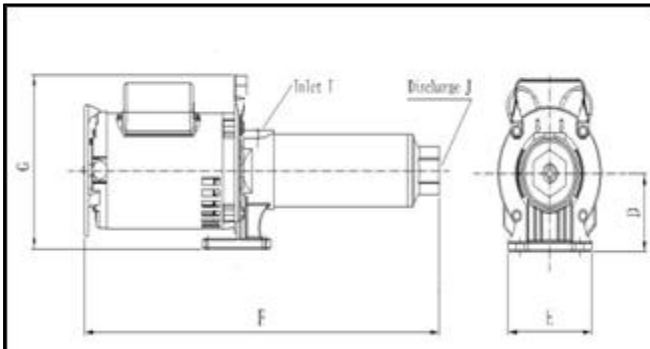
PUMPS technical data sheet

High-Head Multi-Stage Booster pumps are designed for fluid transfer and general pressure boosting applications. These pumps are typically used in industrial applications and are designed to operate continuously. These pumps are not submersible and are manually operated.



Max. Suction Lift	10 feet (3m)
Max. Case Pressure	300 psi
Overload Protection	Auto Reset Thermal Overload
Motor Shaft Material	430 Stainless Steel
Motor Housing Material	Painted Rolled Steel
Motor Duty	Continuous
Motor Bearings	Double Sealed Single Row Ball
Frequency (Hz)	60
RPM	3450
Motor Type	NEMA 56J - ODP
Bearing Lubrication	Permanently Lubricated
Volute Material	Cast Iron
Impeller Type	Enclosed
Impeller Material	Composite
Diffuser Material	Composite
Hardware Material	304 Stainless Steel
O-rings	Buna-N
Seal Type	Type 21 Single Mechanical
Seal Materials	Carbon/Ceramic/Buna
Operation	Manual Operation
Power Connection	Conduit Box
Max. Water Temperature	40-140° F (4-60° C)
Max. Ambient Temperature	104° F (40° C)
Designed Fluid Environment	Liquid Transfer, Cooling, Circulating

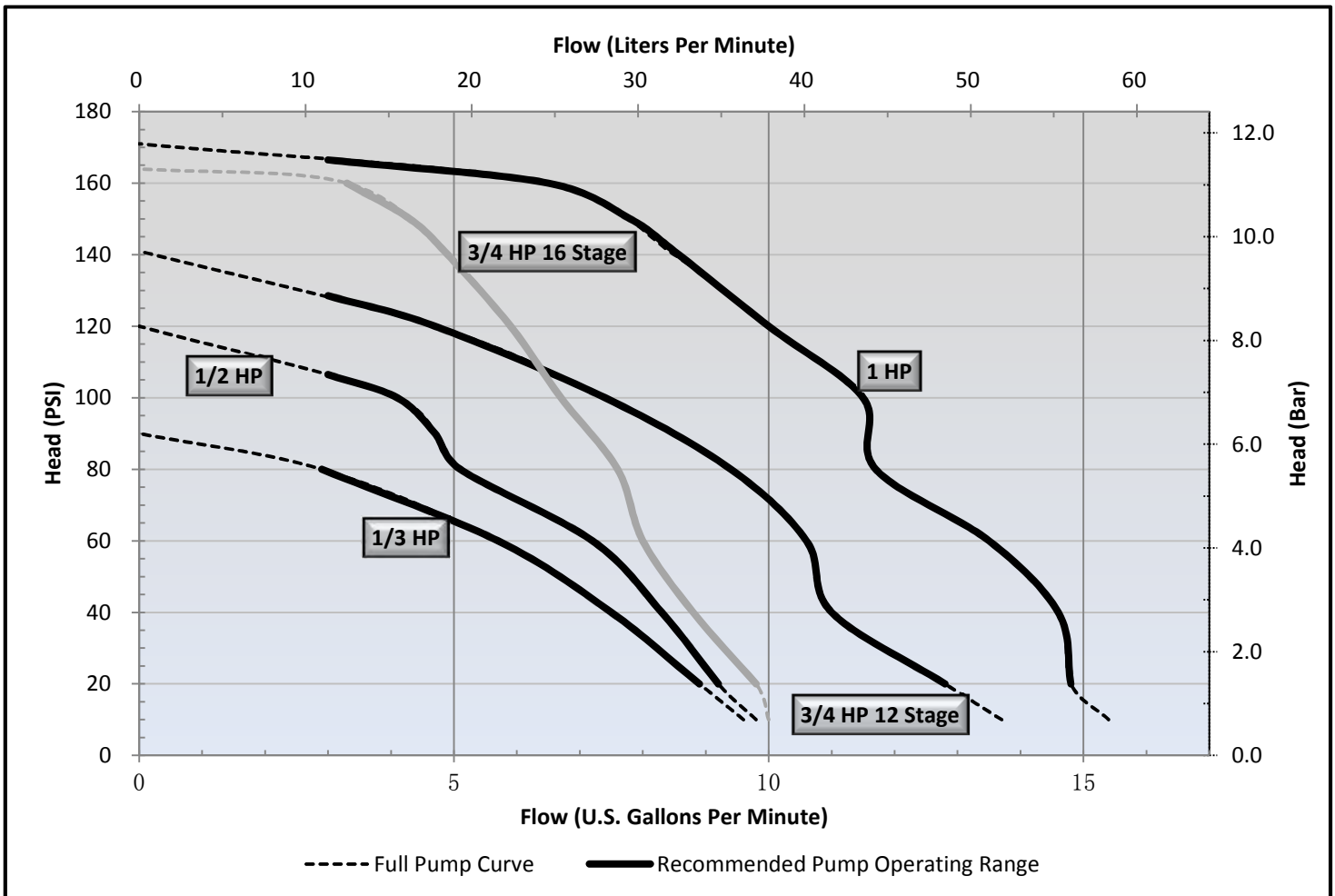
1/3HP through 1HP Cast Iron and 304 Stainless Steel High-Head Multi-Stage Pressure Booster Pumps



HP	1/3	1/2	1/2	3/4	3/4	3/4	3/4	3/4	3/4	1	1	1	1
Material Number	5NXZ1	5NXZ2	5NYA9	5NXZ3	5NXZ4	5NXZ5	5NXZ6	5NYC0	5NYC1	5NXZ7	5NXZ8	5NYC2	5NYC3
Stages	8	12	12	12	12	16	16	12	12	14	14	14	14
Voltage	115/230	115/230	115/230	115/230	230/460	115/230	230/460	115/230	230/460	115/230	230/460	115/230	230/460
Volute Material	Cast Iron	Cast Iron	Stainless Steel	Cast Iron	Cast Iron	Cast Iron	Cast Iron	Stainless Steel	Stainless Steel	Cast Iron	Cast Iron	Stainless Steel	Stainless Steel
Phase	1	1	1	1	3	1	3	1	3	1	3	1	3
Run Amps	6.2/3.1	7.8/3.9	7.8/3.9	10.5/5.3	3.5/1.75	10.7/5.4	3.8/1.9	10.5/5.3	3.5/1.75	16.8/8.4	4.5/2.25	16.8/8.4	4.5/2.25
Inlet I (FNPT)	3/4 Inch	3/4 Inch	3/4 Inch	3/4 Inch	3/4 Inch	3/4 Inch	3/4 Inch	3/4 Inch	3/4 Inch	3/4 Inch	3/4 Inch	3/4 Inch	3/4 Inch
Discharge J (FNPT)	3/4 Inch	3/4 Inch	3/4 Inch	3/4 Inch	3/4 Inch	3/4 Inch	3/4 Inch	3/4 Inch	3/4 Inch	3/4 Inch	3/4 Inch	3/4 Inch	3/4 Inch
Dimension C (Inch)	10-3/16	13-3/8	13-3/8	13-3/8	13-3/8	16-1/2	16-1/2	13-3/8	13-3/8	16-5/16	16-5/16	16-5/16	16-5/16
Dimension D (Inch)	3-7/8	3-7/8	3-7/8	3-7/8	3-7/8	3-7/8	3-7/8	3-7/8	3-7/8	3-7/8	3-7/8	3-7/8	3-7/8
Dimension E (Inch)	6-1/2	6-1/2	6-1/2	6-1/2	6-1/2	6-1/2	6-1/2	6-1/2	6-1/2	6-1/2	6-1/2	6-1/2	6-1/2
Dimension F (Inch)	20-7/8	24-1/4	24-1/4	25-1/2	25-1/2	28-1/2	28-1/2	25-1/2	25-1/2	28-3/4	28-3/4	28-3/4	28-3/4

Performance Data

Head	1/3 HP	Shut off 90 psi. / 6.21 bar	Feet	23	46	92	138	185	208	-	-	-	-
Flow Rate		Max. Flow 10 gpm / 37.9 lpm	GPM	9.6	8.9	7.5	5.7	2.9	0	-	-	-	-
Head	1/2 HP	Shut off 120 psi. / 8.27 bar	Feet	23	46	92	138	185	231	277	-	-	-
Flow Rate		Max. Flow 10 gpm / 37.9 lpm	GPM	9.8	9.2	8.3	7.2	5.1	4.1	0	-	-	-
Head	3/4 HP 12 Stage	Shut off 141 psi. / 9.72 bar	Feet	23	46	92	138	185	231	277	323	326	-
Flow Rate		Max. Flow 14 gpm / 53.0 lpm	GPM	13.7	12.8	11	10.6	9.4	7.4	4.7	0.9	0	-
Head	3/4 HP 16 Stage	Shut off 163 psi. / 11.28 bar	Feet	23	46	92	139	185	231	277	323	370	379
Flow Rate		Max. Flow 14 gpm / 53.0 lpm	GPM	10	9.8	8.8	8	7.6	6.7	5.9	4.9	3.3	0
Head	1 HP	Shut off 171 psi. / 11.79 bar	Feet	23	46	92	138	185	231	277	323	370	395
Flow Rate		Max. Flow 15.5 gpm / 58.7 lpm	GPM	15.4	14.8	14.6	13.5	11.7	11.5	10	8.5	6.5	0



WARNING: Use only with nonflammable liquids compatible with pump component materials and in nonflammable/non-explosive atmospheres.

Call or visit your local branch or go to grainger.com/dayton for complete product line information



Exclusively from Grainger.