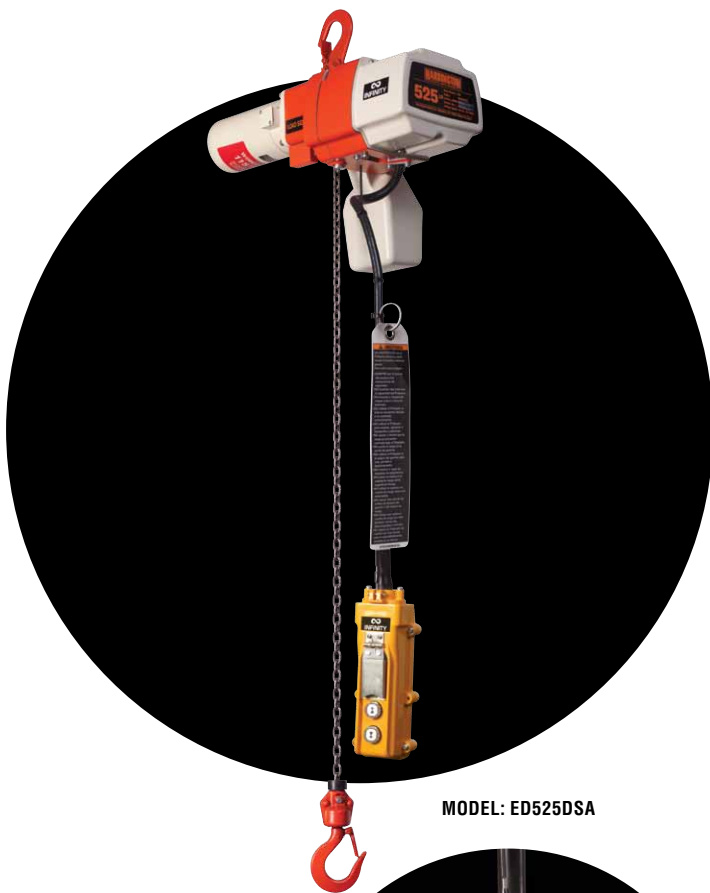




ED Infinity Single Phase Electric Chain Hoist



MODEL: ED525DSA



Speed adjustment like no other

Harrington's ED-DSA Infinity series dual speed, single phase electric chain hoists are offered in 125, 220, 250, 350, 400, 525 and 1050 pound capacities. The pendant on this hoist is equipped with external speed adjustment knobs that enable the operator to quickly customize the high and low hoist speeds for every application.

Unique lifting speed control

Applications

- Work stations and work cells
- Assembly lines
- Pick-and-place operations
- Fast production environments

Unique Pendant Speed Adjustment

- Easy access knobs for quick speed adjustment
- High and low speeds are adjustable
- Heavy duty metal hinged cover protects the knobs from damage and prevents the speed settings from shifting during operation

Compact Design

- Lightweight, die-cast aluminum body
- Low headroom
- Easily installed, transported and stored

Dependability

- Weston-style and regenerative load brakes
- Friction clutch for overwinding protection
- Nickel-plated, heat-treated load chain
- Standard upper limit switch

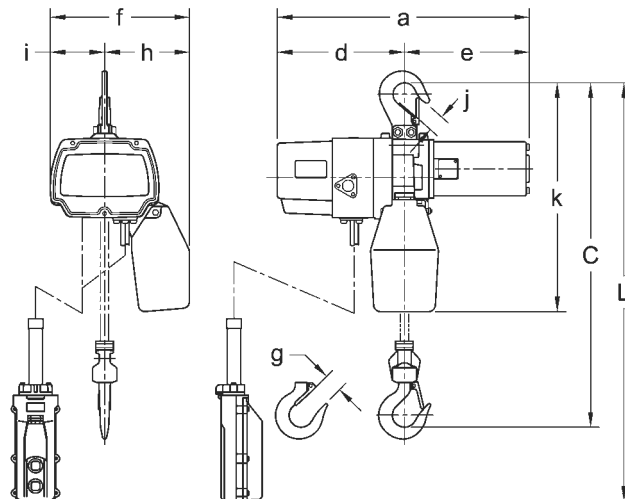
Ask your local sales representative or call our Customer Service staff for friendly and expert advice on models and options.

HOIST—DIMENSIONS AND WEIGHTS

Cap. (lbs)	Product Code	Lifting Speed (ft/min)	Standard Lift (ft)	Push Button Cord L (ft)	Motor Output (HP)	Intermittent Duty Rating		Short Time Duty Rating (min)	Rated Current at 120V (amps)
						Duty Rating % ED	Max. Start Freq. (Times/Hr)		
125	ED125DSA	69/13	10	8	0.4	30	180	15	5
220	ED220DSA	43/10			0.4	30	180	15	5
250	ED250DSA	26/10			0.4	20	120	10	6
350	ED350DSA	66/13			0.8	30	180	20	10
400	ED400DSA	26/10			0.4	20	120	10	6
525	ED525DSA	44/10			0.8	30	180	20	10
1050	ED1050DSA	22/6			0.8	30	180	20	10

HOIST—DIMENSIONS AND WEIGHTS

Cap. (lbs)	Headroom C (in)	a (in)	d (in)	e (in)	f (in)	g (in)	h (in)	i (in)	j (in)	k (in)	Net Weight (lbs)	Weight for Additional One Foot of Lift (lbs)
125	12.4	14.6	7.4	7.2	8.1	1.0	4.9	3.1	1.0	13.4	24	0.29
220	12.4	14.6	7.4	7.2	8.1		4.9	3.1		13.4	24	
250	12.4	14.6	7.4	7.2	8.1		4.9	3.1		13.4	25	
350	13.0	16.9	8.1	8.8	8.6		5.3	3.3		14.3	34	
400	12.4	14.6	7.4	7.2	8.1		4.9	3.1		13.4	25	
525	13.0	16.9	8.1	8.8	8.6	5.3	3.3	14.3	34			
1050	20.5	16.9	8.1	8.8	9.0	0.9	6.1	2.9	17.9	47	0.52	



MODEL: ED525DSA



Harrington Hoists, Inc.
 401 West End Avenue, Manheim, PA 17545
 717-665-2000 / 800-233-3010 / Fax: 717-665-2861
 www.harringtonhoists.com

Harrington Hoists, Inc.—Western Division
 2341 Pomona Road, No. 103
 Corona, CA 92880
 951-279-7100 / 800-317-7111 / Fax: 951-279-7500

Specifications and dimensions are subject to change without notice.
 Rev 0 Copyright ©2012 3-12
 Item No. SS-ED-DSA