

101B/103/103-7/306 Series

PAR Lampholders

101B LAMPHOLDER

- Cast aluminum lamp holder with porcelain medium base socket; Gasketed for use with PAR lamps outdoors; BR lamps may be used indoors; 1/2" swivel knuckle allows universal aiming; Dark bronze powder paint finish; Listed to UL1598 for use in wet locations – 150w max; Compact design

103 LAMPHOLDER

- Full size lampholder with rugged construction. Large 1/2" swivel knuckle adds strength and allows universal aiming; Silicone gasket seals to PAR lamps for water-tight design; 150w max. Natural aluminum finish; Porcelain medium base socket; Listed to UL1598 for use in wet locations

103-7 SERIES

- Shielded lampholder for use with PAR lamps to 150w max; "Bell" shape has traditional styling; porcelain medium base socket; 1/2" cast aluminum swivel knuckle allows universal aiming; Various finishes available – gray, bronze, black, white, Shalida green; Listed to UL1598 for use in wet locations

306 SERIES

- Die-cast housing and door available in Gray powder paint protective finish with tempered glass lens with silicone gasket; PAR 56 lamps – 300w incandescent or 500w quartz (by others); Listed to UL1598 for use in wet locations



LANDSCAPE

ORDERING INFORMATION

101-B

Catalog Number	Description	Gasket	Finish	Weight lbs. (kg)
101-B	Unshielded, compact	Neoprene	Bronze	.5 (.23)

103

Catalog Number	Description	Gasket	Finish	Weight lbs. (kg)
103	Unshielded, full size	Silicone	Natural Aluminum	.75 (.3)

103-7 Series

Catalog Number	Description	Gasket	Finish	Weight lbs. (kg)
103-7	Shielded, bell shape	Silicone	Gray	1.25 (0.6)
103-71	Shielded, bell shape	Silicone	Bronze	1.25 (0.6)
103-72	Shielded, bell shape	Silicone	Black	1.25 (0.6)
103-73	Shielded, bell shape	Silicone	Green	1.25 (0.6)
103-74	Shielded, bell shape <td>Silicone</td> <td>White</td> <td>1.25 (0.6)</td>	Silicone	White	1.25 (0.6)

306

Catalog Number	Description	Finish	Weight lbs. (kg)
306	1/2" Swivel knuckle mount, 12" leads, hinged door and lens	Gray	3.375 (1.7)

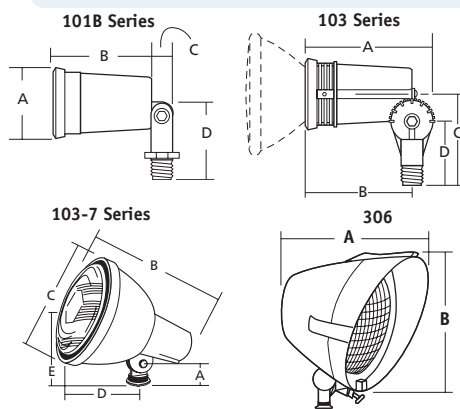
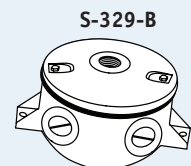
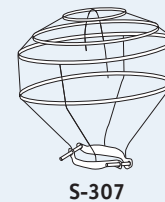
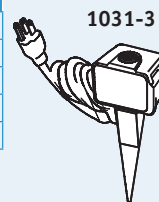
306 REPLACEMENT PARTS

Catalog Number	Description
1306C	Lens & Gasket
207-5011-0264	Bronze knuckle

Note PAR 56 lampholders for 300w (maximum) incandescent or 500w quartz; Lamp not included

ACCESSORIES - Order Separately

Catalog Number	Description
S-307	Wire guard for PAR and R lamps, for use with 103 fixture
1324	Wire guard for PAR lamps, for use with 103-7 Series
1308	Plated wire guard for 306 (0.2lbs (.09kg))
1031-3	Ground spike with splice box and 6' cord set - 1/2" top hub
S329B	4" Round wet location outlet box with cover - 1/2" hubs



	A	B	C	D	E
101B	2 1/2"	3"	0.5"	1.5"	-
	55 mm	76 mm	13 mm	38 mm	-
103	4 13/16"	4"	3 7/16"	2 3/8"	-
	122 mm	102 mm	87 mm	60 mm	-
103-7	1 5/16"	6"	5 3/8"	4 1/16"	3 7/16"
	33 mm	152 mm	137 mm	103 mm	87 mm

306 Series	A	B
	8 1/8"	9 7/8"
	206 mm	251 mm