



EMERGENCY EYE/FACEWASH FOUNTAIN

- Designed in accordance with ANSI and EU guidelines
- 'Unbreakable' Wall, Table or Pedestal mounted Emergency Eye/Facewash Fountain
- Incorporates integral lid, aerated diffusers, flow regulator and self-adhesive sign
- Lid ensures the bowl remains clean and free from contamination
- Choice of optional components available including alarms and foot operation



34RT64

Eye/Facewash

Hughes Safety Showers manufacture an 'Unbreakable' Wall Mounted Emergency Eye/Facewash Fountain with integral lid, aerated diffusers, flow regulator and self-adhesive sign.

Table/Bench mounted model 34RT64

Pedestal mounted models are available in galvanised steel, 34RT65, and with a drain, 34RT66. They are also available in stainless steel, 34RT67, and with a drain, 34RT68.



34RT63

EMERGENCY EYE/FACEWASH FOUNTAIN 34RT63 34RT64, 34RT65, 34RT66, 34RT67, 34RT68

Specification

This 'unbreakable' eye/facewash has high flow rate aerated diffusers for improved washing action to the eyes, face and hands and incorporates an integral lid connected to the water valve for automatic operation when the lid is pulled down. The lid also ensures that the bowl remains clean and free from contamination at all times.

The eye wash diffusers are fitted with fine mesh strainers and a flow controller and are designed to give a gentle flow of aerated water.



34RT65



34RT67



EMERGENCY EYE/FACEWASH FOUNTAIN

34RT63

34RT64, 34RT65, 34RT66, 34RT67, 34RT68

Eye/Facewash

MATERIALS OF CONSTRUCTION

EYE/FACEWASH BOWL/LID	Acrylic Capped ABS
-----------------------	--------------------

SERVICES

WATER INLET	1/2" Male NPT
DESIGN OPERATING PRESSURE	29 to 85 PSI (Higher supply pressures accommodated with the incorporation of the optional Pressure Reducing Valve)
TEST PRESSURE	150 PSI
MINIMUM FLOW RATES - ANSI	Eye/Facewash: 5 gallons (20 liters)/minute

ENVIRONMENTAL OPERATING TEMPERATURE

MINIMUM AMBIENT OPERATING TEMP	5° C (41° F)
MAXIMUM AMBIENT OPERATING TEMP	35° C (95° F)

ACTIVATION/OPERATION

EYE/FACEWASH	Pull Lid forward to operate (Treadle foot control for hands free - optional)
--------------	---

WEIGHTS and DIMENSIONS

DIMENSIONS (STANDARD ORIENTATION)	16" (W) x 15" (D) x 12" (H)
WEIGHT (UNPACKED)	18lb

Standards



- ALLOCATE A LOCATION REFERENCE FOR EASE OF IDENTIFICATION
- ALL UNITS TO BE ACTIVATED WEEKLY - ANSI Z358.1 2014
- SAFETY SHOWER/EYE WASH MUST BE LOCATED WITHIN 10 SECONDS OR 15 METERS OF A POTENTIAL HAZARD - ANSI Z358.1 2014
- THE UNIT MUST BE LOCATED ON THE SAME LEVEL AS THE HAZARD AND THE PATH OF TRAVEL & LOCAL AREA SHOULD BE FREE FROM OBSTRUCTIONS - ANSI Z358.1 2014
- THE UNIT SHOULD BE WELL LIT AND IDENTIFIED WITH HIGHLY VISIBLE SIGNAGE TO BS EN ISO 7010 - ANSI Z358.1 2014
- FLUSH FOR SUFFICIENT DURATION TO PURGE THE SUPPLY PIPE WITH FRESH WATER
- REPLACE WORN OR ILLEGIBLE SAFETY SIGNS AND STICKERS
- SIGN & DATE SERVICE TAG WHEN SERVICE COMPLETED

TECHNICAL DETAILS



HUGHES



PRODUCT INFORMATION SHEET



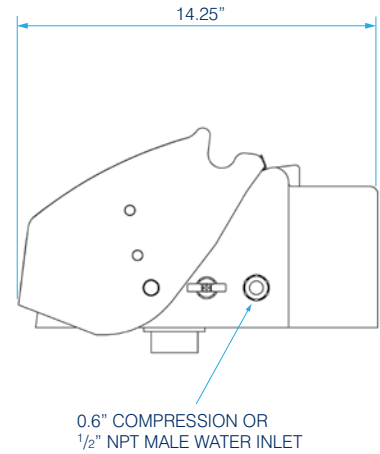
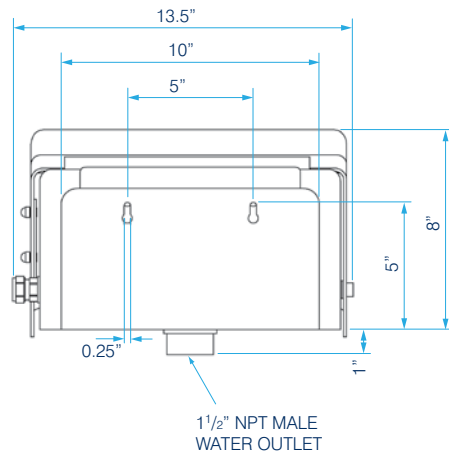
EMERGENCY EYE/FACEWASH FOUNTAIN

34RT63

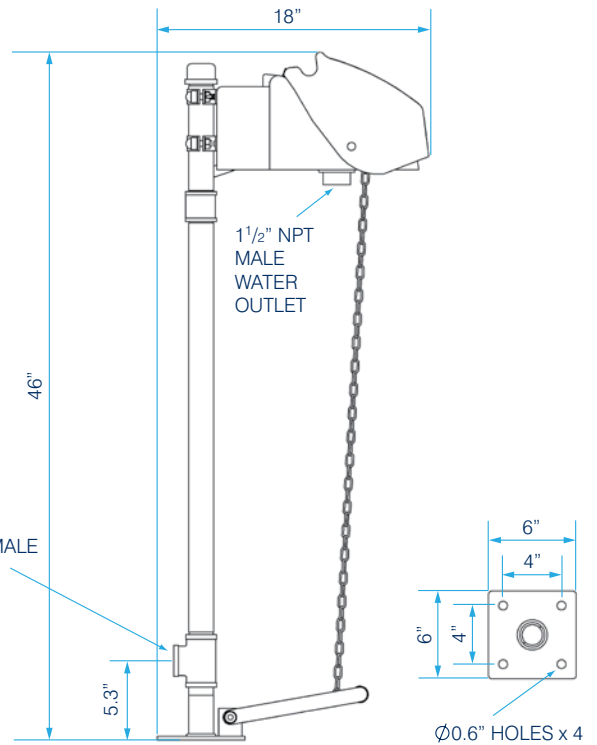
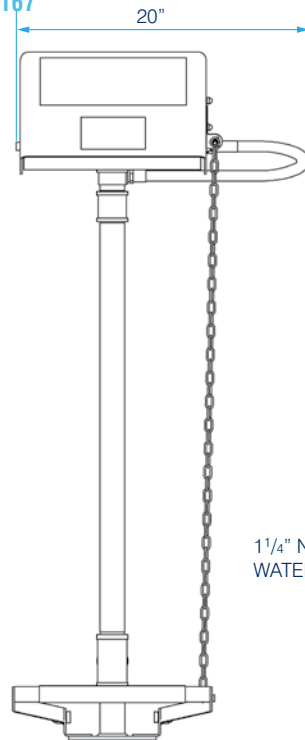
34RT64, 34RT65, 34RT66, 34RT67, 34RT68

G.A. DRAWING

34RT63



34RT65, 34RT67



For more information contact
your Grainger Representative
or visit Grainger.com

AVAILABLE THROUGH

GRAINGER®

FOR THE ONES WHO GET IT DONE