

## FEATURES & SPECIFICATIONS

**INTENDED USE** — Ideal for applications requiring attractive steel exit signage. Meets city of Chicago requirements.

**CONSTRUCTION** — 20-gauge steel housing.

Dual-voltage input capacity (120/277).

Uniform graphical illumination without shadows or hot spots.

Letters are 6" high with 100 ft viewing distance rating based upon UL924 standard (meets UL924 requirements however models with the city of Chicago required full stroke arrow cannot bear any UL mark). Full stroke arrow. City of Chicago approved.

**OPTICS** — White LED technology provides uniform illumination to meet city of Chicago requirements.

The typical life of exit LED lamp is 10 years. Unique LED lamp platform accommodates both single-face and double-face exits.

Low energy consumption; fewer than five watts.

**ELECTRICAL** — Battery (for EL option only): Sealed, maintenance-free nickel-cadmium battery delivers 90 minutes capacity to lamp. Charger maximizes battery life and automatically recharges after battery discharge.

**INSTALLATION** — Universal mounting (top, end or back). Canopy provided.

Full stroke arrow option available.

**LISTINGS** — UL listed damp location 32°F to 122°F (0°C to 50°C). Meets UL 924 (meets UL924 requirements however models with the city of Chicago required full stroke arrow cannot bear any UL mark), NFPA 101 (current Life Safety Code), NEC and OSHA illumination standards. City of Chicago approved.

**WARRANTY** — Five-year limited warranty. Full warranty terms located at [www.AcuityBrands.com/CustomerResources/Terms\\_and\\_Conditions.aspx](http://www.AcuityBrands.com/CustomerResources/Terms_and_Conditions.aspx).

Note: Specifications subject to change without notice.

Actual performance may differ as a result of end user environment and application.

Catalog Number
Notes
Type



Steel Exits

LXC

LED LAMPS



### Specifications

LXC EXIT	LXC STAIRS
Length: 12-3/8 (31.5)	Length: 13-7/8(35.3)
Depth: 4-1/2 (11.5)	Depth: 4-1/2 (11.5)
Height: 11-1/4 (28.6)	Height: 13-7/8 (35.3)
Shipping Weight : 7.8 lbs	Shipping Weight : 7.8 lbs

### ORDERING INFORMATION

Lead times will vary depending on options selected. Consult with your sales representative.

Example: LXC W 1 RW CH2 EL

LXC Family	Housing color	Number of faces	RW Letter color	Directional indicators <sup>1</sup>	Operation
LXC LED exit	W White	1 Single face	RW Red on white background	<u>Single face</u>	(blank) Standard non-emergency EL Emergency operation with nickel-cadmium battery
	B Black	2 Double face		<u>Double face</u>	
				CH3 EXIT with no arrow	CH18 EXIT with no arrow
				CH6 EXIT with right arrow	CH21 EXIT with right/left arrow
				CH9 EXIT with left arrow	CH24 EXIT with double arrow
				CH12 EXIT with double arrow	CH17 STAIRS with no arrow
				CH2 STAIRS with no arrow	CH20 STAIRS with right/left arrow
				CH5 STAIRS with right arrow	CH23 STAIRS with double arrow
				CH8 STAIRS with left arrow	
				CH11 STAIRS with double arrow	

<b>Accessories:</b> Order as separate catalog number.	
ELA US12	12" stem kit <sup>2</sup>

### Notes

- See charts on page 2 for more information.
- See spec sheet [ELA-Stemkit](#).

## SPECIFICATIONS

### ELECTRICAL

#### Primary Circuit

Type	Typical LED life <sup>1</sup>	Supply voltage	Input watts	Max. amps
EXIT/STAIRS AC only	10 years	120	5	0.10
		277	5	0.05
EXIT/STAIRS emergency	10 years	120	5	0.10
		277	5	0.05

### BATTERY

#### Sealed Nickel-Cadmium (EL option)

Shelf life <sup>2</sup>	Typical life <sup>2</sup>	Maintenance <sup>3</sup>	Optimum temperature <sup>4</sup>
3 years	7 - 9 years	none	32°–122°F (0°–50°C)

#### Notes

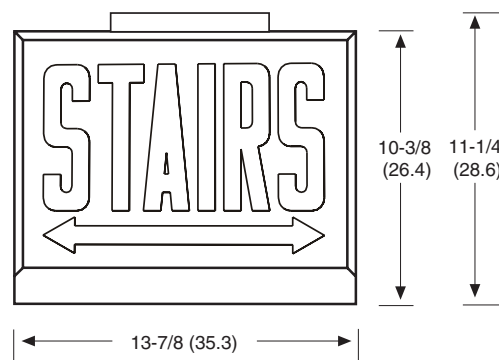
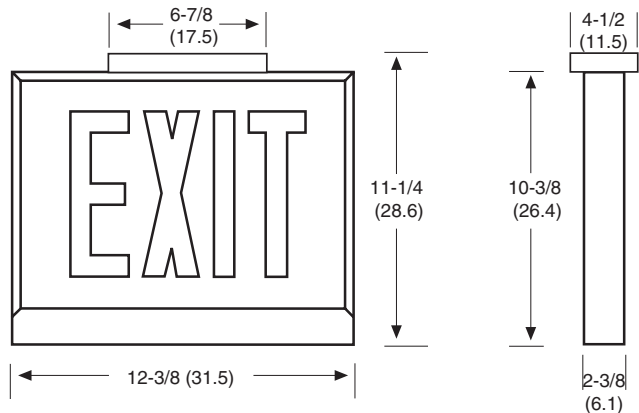
- Based on continuous operation. The typical life of the exit LED lamp is 10 years.
- At 77°F (25°C).
- All life safety equipment, including emergency lighting path of egress, must be maintained, serviced and tested in accordance with all National Fire Protection Association and local codes. Failure to perform the required maintenance, service or testing could jeopardize the safety of occupants and will void all warranties.
- Optimum ambient temperature range where unit will provide capacity for 90 minutes. Higher and lower temperatures affect life and capacity. Consult factory for detailed information.

## MOUNTING

All dimensions are inches (centimeters).

Shipping weight:

Standard/emergency 7.8 lbs (3.5 kgs).



### Directional Indicators (Exit)

Specification (add to catalog number)	Graphics	
	Back	Front
<b>CH3</b> (no arrows)		
<b>CH6</b> (right arrow)		
<b>CH9</b> (left arrow)		
<b>CH12</b> (single face, left and right arrow)		
<b>CH18</b> (double face, no arrows)		
<b>CH21</b> (double face, one arrow on each side)		
<b>CH24</b> (double face, two arrows on each side)		

\*Models with the city of Chicago required full stroke arrow cannot bear any UL mark. Excludes: CH3, CH18

### Directional Indicators (Stairs)

Specification (add to catalog number)	Graphics	
	Back	Front
<b>CH2</b> (no arrows)		
<b>CH5</b> (right arrow)		
<b>CH8</b> (left arrow)		
<b>CH11</b> (single face, left and right arrow)		
<b>CH17</b> (double face, no arrows)		
<b>CH20</b> (double face, one arrow on each side)		
<b>CH23</b> (double face, two arrows on each side)		

\*Models with the city of Chicago required full stroke arrow cannot bear any UL mark. Excludes: CH2, CH17