

## FEATURES & SPECIFICATIONS

**INTENDED USE** — Specification premium, high performance, static T8 luminaires provide general illumination for recessed applications; ideal for restricted plenum spaces. Certain airborne contaminants can diminish integrity of acrylic. [Click here for Acrylic Environmental Compatibility table for suitable uses.](#)

**ATTRIBUTES** — Designed exclusively for use with T8 lamps, electronic ballasts and sockets.

**CONSTRUCTION** — Smooth hemmed sides and smooth, inward formed end flanges for safe handling. Lighter weight fixture allows safe, easy installation.

Standard steel door frame has superior structural integrity with premium extruded appearance and precision flush mitered corners. Steel door allows easy lens replacement without frame disassembly (for lenses up to .156" thick). Powder-painted, steel latches provide easy, secure door closure.

Superior mechanical light seal requires no foam gasketing. Integral T-bar clips secure fixture to T-bar system. Housing formed from cold-rolled steel. Acrylic shielding material 100% UV stabilized. No asbestos is used in this product.

US PATENTS: 6,210,025; 6,231,213; 6,213,625; 2,288,471.

**FINISH** — Five-stage iron-phosphate pretreatment ensures superior paint adhesion and rust resistance. Painted parts finished with highly reflective matte white enamel.

**OPTICAL** — A12 lens features reverse apex technology for superior lamp obscuration and improved visual comfort.

**ELECTRICAL** — Standard ballast is electronic, thermally protected, resetting, Class P, HPF, non-PCB, UL Listed, CSA certified ballast, universal voltage and sound rated A.

Luminaire is suitable for damp locations. AWM, TFN or THHN wire used throughout, rated for required temperatures.

**LISTING** — Standard: UL. Optional: Canada — CSA or cUL; Mexico — NOM.

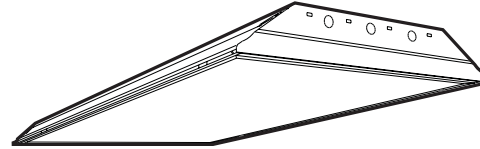
**WARRANTY** — 1-year limited warranty. Complete warranty terms located at [www.acuitybrands.com/CustomerResources/Terms\\_and\\_conditions.aspx](http://www.acuitybrands.com/CustomerResources/Terms_and_conditions.aspx)

Note: Specifications subject to change without notice.

Catalog Number
Notes
Type

### Specification Premium T8 Troffer

# SP8 2'X4'



2, 3, 4 or 6 Lamps  
T8



#### Specifications

Length: 48 (1218)

Width: 24 (609)

Depth: 3-11/16 (94)

Weight: 22 lbs (9.9 kg)



All dimensions are inches (millimeters).

### ORDERING INFORMATION

For shortest lead times, configure products using **bolded options**.

**Example: 2SP8 G 3 32 A12 MVOLT 1/3 GEB10IS**

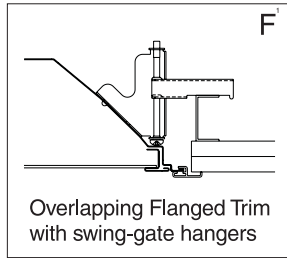
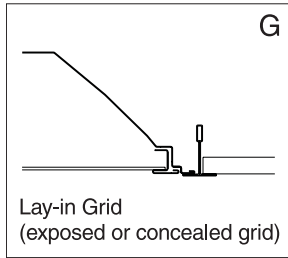
2SP8							
Series	Trim type	Number of lamps	Lamp type	Door frame	Diffuser type	Voltage	Options
2SP8 2' wide	<b>G</b> Grid <b>F</b> Overlapping flanged	<b>2</b> <b>3</b> <b>4</b> <b>6</b> Not included	<b>32</b> 32W T8 (48")	<b>(blank)</b> Flush steel, white	<b>A12</b> #12 pattern acrylic	120 277 347 <sup>1</sup> <b>MVOLT<sup>2</sup></b> Others available	<b>1/4</b> One 4-lamp ballast <b>1/3</b> One 3-lamp ballast <b>GEB10IS</b> Electronic ballast, <10% THD, instant start <b>GEB10PS</b> Electronic ballast, <10% THD, programmed start <b>GEB10RS</b> Electronic ballast, <10% THD, rapid start <b>EL</b> Emergency battery pack (nominal 300 lumens) <b>EL14</b> Emergency battery pack (nominal 1400 lumens) <b>GLR</b> Internal fast-blow fuse <sup>3</sup> <b>GMF</b> Internal slow-blow fuse <sup>3</sup> <b>LST</b> Tandem-wired fixture pairs (shared ballasts) <b>PWS1836</b> 6' prewire, 3/8" dia., 18-gauge, 1 circuit <b>PWS1846</b> 6' prewire, 3/8" dia., 18-gauge, 2 circuit <b>LP735</b> Lamped, 700-series, 3500K <b>LP_</b> Lamped, specify lamp type and color <b>JP</b> Palletized and stretch-wrapped without individual cartons; grid trim only <b>CSA</b> CSA Certified <b>NOM</b> NOM Certified <b>CP</b> Chicago Plenum
				<b>FN</b> Flush aluminum, natural	<b>A12125</b> #12 pattern acrylic, .125" thick		
				<b>FM</b> Flush aluminum, matte black	<b>RA125</b> #12 pattern acrylic, .125" thick, reverse apex		
				<b>FW</b> Flush aluminum, white	<b>A19</b> #19 pattern acrylic, .156" thick		
				<b>RN</b> Regressed aluminum, natural	<b>A15</b> #15 pattern acrylic, .2" thick		
				<b>RM</b> Regressed aluminum, matte black	<b>PC1S</b> 1/2" x 1/2" x 1/2" plastic cube louver, silver		
				<b>RW</b> Regressed aluminum, white	<b>PC2S</b> 1-1/2" x 1-1/2" x 1" plastic cube louver, silver w/ flange <b>PC3S</b> 3/4" x 3/4" x 1/2" plastic cube louver, silver		

NOTE:

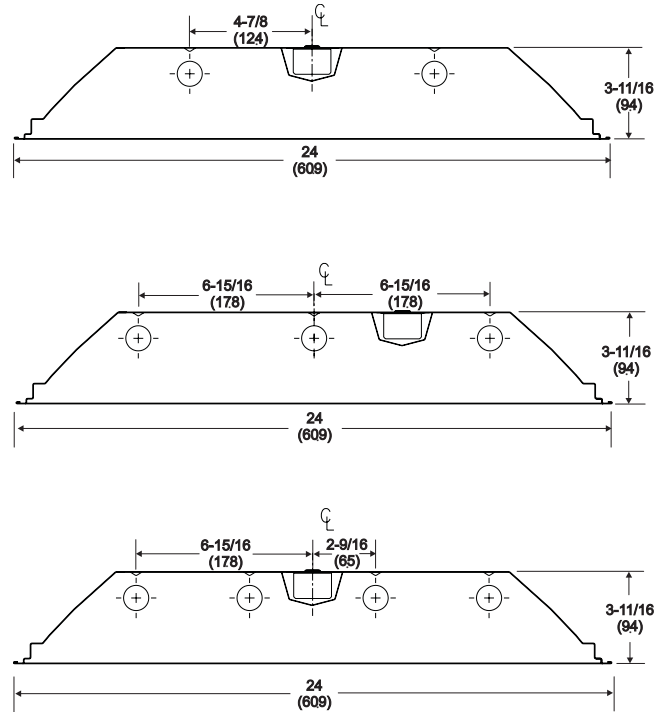
- Not available with GEB10PS.
- MVOLT standard for 120-277V applications, 50-60 hz operation. Some options require voltage specified.
- Must specify voltage 120 or 277V.

**MOUNTING DATA**

Continuous row mounting of flanged units requires CRE and CRM trim options (see Options).



**DIMENSIONS**



**NOTE:**

1 Recommended rough-in dimensions for F-trim fixtures 24"x48". (Tolerance is +1/4"-0".) Swing-gate range 1-3/16" to 3-15/16". Swing-gate span 23-3/8" to 26-11/16". Fixture swing-gate points require additional 9/16" over nominal fixture height.

**PHOTOMETRICS**

Calculated using the zonal cavity method in accordance with IESNA LM41 procedure. Floor reflectances are 20%. Lamp configurations shown are typical. Full photometric data on these and other configurations available upon request.

**2SP8 2 32 A12\***

Report LTL 7525

Lumens per lamp - 2850 – Lum. eff. - 85.5%

S/MH (along) 1.3 (across) 1.4

**Coefficient of Utilization**

Ceiling Wall	80%			70%			50%		
	70%	50%	30%	70%	50%	30%	50%	30%	10%
0	102	102	102	99	99	99	95	95	95
1	94	90	87	92	88	85	85	82	80
2	86	80	74	84	78	73	75	71	68
3	79	71	64	77	70	64	67	62	58
4	73	63	56	71	62	56	60	55	50
5	67	57	50	66	56	49	54	48	44
6	62	52	44	61	51	44	49	43	39
7	58	47	40	57	46	40	45	39	34
8	54	43	36	53	42	36	41	35	31
9	51	39	33	49	39	33	38	32	28
10	47	36	30	46	36	30	35	29	25

**Zonal Lumens Summary**

Zone	Lumens	%Lamp	%Fixture
0-30	1541	27.0	31.6
0-40	2571	45.1	52.7
0-60	4192	73.5	86.0
0-90	4874	85.5	100.0
90-180	0	0	0
0-180	4874	85.5	100.0

**2SP8 3 32 A12\***

Report LTL 7492

Lumens per lamp - 2850 – Lum. eff. - 83.6%

S/MH (along) 1.3 (across) 1.4

**Coefficient of Utilization**

Ceiling Wall	80%			70%			50%		
	70%	50%	30%	70%	50%	30%	50%	30%	10%
0	100	100	100	97	97	97	93	93	93
1	92	88	85	90	86	83	83	80	78
2	84	78	73	82	77	72	74	70	66
3	78	70	63	76	68	62	66	61	57
4	72	62	55	70	61	55	59	54	49
5	66	56	49	64	55	49	53	48	43
6	61	51	44	60	50	43	49	43	38
7	57	46	39	56	46	39	44	38	34
8	53	42	36	52	42	35	41	35	31
9	50	39	32	49	38	32	38	32	28
10	47	36	30	46	36	29	35	29	25

**Zonal Lumens Summary**

Zone	Lumens	%Lamp	%Fixture
0-30	2319	27.1	32.4
0-40	3833	44.8	53.6
0-60	6164	72.1	86.2
0-90	7147	83.6	100.0
90-180	0	0	0
0-180	7147	83.6	100.0

**2SP8 4 32 A12\***

Report LTL 7526

Lumens per lamp - 2850 – Lum. eff. - 81.5%

S/MH (along) 1.2 (across) 1.4

**Coefficient of Utilization**

Ceiling Wall	80%			70%			50%		
	70%	50%	30%	70%	50%	30%	50%	30%	10%
0	97	97	97	95	95	95	91	91	91
1	90	86	83	87	84	81	81	78	76
2	82	76	71	80	75	70	72	68	65
3	76	68	62	74	67	61	64	59	55
4	70	61	54	68	60	53	58	52	48
5	64	55	48	63	54	47	52	46	42
6	60	50	43	58	49	42	47	42	37
7	56	45	38	54	44	38	43	37	33
8	52	41	35	51	41	34	40	34	30
9	48	38	32	47	38	31	37	31	27
10	46	35	29	44	35	29	34	28	25

**Zonal Lumens Summary**

Zone	Lumens	%Lamp	%Fixture
0-30	3029	26.6	32.6
0-40	4999	43.8	53.8
0-60	8017	70.3	86.3
0-90	9292	81.5	100.0
90-180	0	0	0
0-180	9292	81.5	100.0

\* With reverse apex lens