

NOR-LAKE[®] SCIENTIFIC CHROMATOGRAPHY LABORATORY AND SCIENTIFIC REFRIGERATOR

Designed to meet the demanding requirements for scientific and laboratory research. Advanced engineered design incorporates the latest in cabinet, refrigeration, temperature control and monitoring features. Provides energy efficient, convenient, safe and reliable performance for optimal storage temperature environments necessary for a wide range of life science, pharmacy, biological, medical, clinical, and industrial applications.

Standard Features:

- Digital LED display microprocessor temperature controller
- Audible and visual Hi/Lo temperature alarm
- Adjustable control range: +2°C to +10°C; factory preset at +4°C
- Remote alarm contacts
- Continuous product temperature display
- Product sensor with glycerin bottle
- Power supply switch
- Exterior cabinet front, sides and back are painted white
- Exterior cabinet top and bottom are galvanized steel
- Interior cabinet liner is painted white
- Cabinet is foamed-in-place with CFC free high density polyurethane foam insulation
- Glass door(s), full size, double pane
- Heavy duty door pivot hinges
- Pull door handle(s), full length, painted white
- Magnetic door gaskets
- Centered key door lock(s) (2 keys)
- Four casters (2 locking) on one and two door models, six casters (3 locking) on three door models
- 3 half-size solid stainless steel shelves per model
- 3 coated wire shelves per door section per additional door section on 2 and 3 door models
- Interior LED light, switch activated
- Internal electrical outlet
- Two access ports 2" sleeve with cover
- Air cooled condensing unit
- Top mounted forced air refrigeration system
- Automatic defrost and condensate evaporation
- Warranties: 18 month parts and labor, 5 year compressor (US and Canada), 18 months parts (International)
- UL, C-UL listed

Optional Features:

- Extra shelf
- Stainless steel drawer (8 maximum)
- Wire basket drawer (8 maximum)
- Sensor access port 1" diameter
- Legs in lieu of casters
- Stainless steel interior
- Temperature chart recorder with chart paper
- 4-20ma output
- Export crating



NSCR331WWG/



NSCR241WWG/

NSCR331WWG/

NSCR522WWG/

NSCR803WWG

NORLAKE[®] SCIENTIFIC

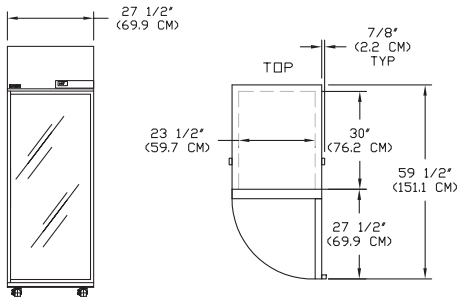


Committed to our environment



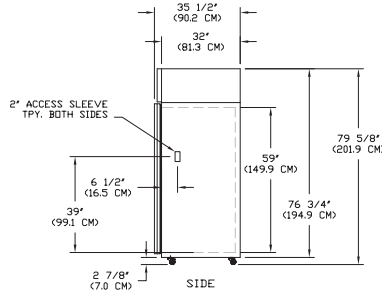
Nor-Lake, Inc.
Registered to ISO 9001:2008
File No. 10001816

NOR-LAKE SCIENTIFIC
A Division of
NOR-LAKE, INCORPORATED
727 Second Street
P.O. Box 248
Hudson, Wisconsin 54016
800-477-5253
715-386-2323
800-388-5253 PARTS
715-386-4290 FAX
www.norlakescientific.com

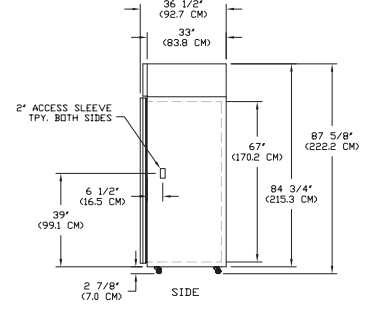


FRONT

NSCR241WWG

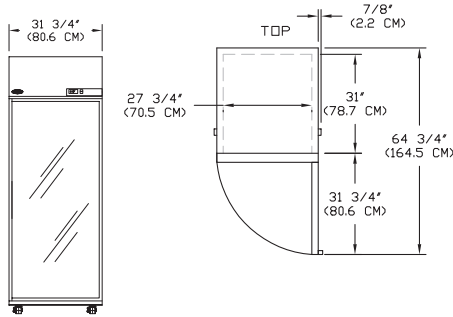


NSCR241, NSCR522, NSCR803



NSCR331WWG

SPECIFICATIONS

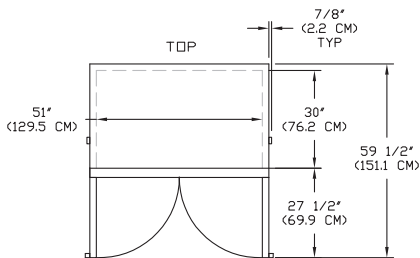


FRONT

NSCR331WWG

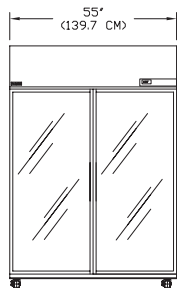
Models	<i>NSCR241WWG/0</i>	<i>NSCR331WWG/0</i>	<i>NSCR522WWG/0</i>	<i>NSCR803WWG/0</i>
	<i>NSCR241WWG/5</i>	<i>NSCR331WWG/5</i>	<i>NSCR522WWG/5</i>	<i>NSCR803WWG/5</i>
<i>Crated Weight (lbs) (kg)</i>	330 (166)	396 (284)	536 (247)	750 (340)
<i>Crated Height (in) (cm)</i>	84 (213)	92 (233)	84 (213)	84 (213)
<i>Crated Width (in) (cm)</i>	34 (86)	37 (93)	61 (154)	89 (226)
<i>Crated Depth (in) (cm)</i>	43 (109)	43 (109)	43 (109)	43 (109)
<i>Interior Height (in) (cm)</i>	59 (149)	67 (170)	59 (149)	59 (149)
<i>Interior Width (in) (cm)</i>	23-1/2 (59)	27-3/4 (70)	51 (129)	78-1/2 (199)
<i>Interior Depth (in) (cm)</i>	30 (76)	31 (78)	30 (76)	30 (76)
<i>Overall Height (in) (cm)</i>	79-5/8 (202)	87-5/8 (222)	79-5/8 (202)	79-5/8 (202)
<i>Overall Width (in) (cm)</i>	27-1/2 (69)	31-3/4 (80)	55 (139)	82-1/2 (209)
<i>Overall Depth (in) (cm)</i>	35-1/2 (90)	36-1/2 (92)	35-1/2 (90)	35-1/2 (90)
<i>Gross Cubage (CuFt) (L)</i>	24.0 (679)	33.0 (934)	52.0 (1472)	80.0 (2265)
<i>Epoxy Coated Shelves</i>	Optional	Optional	3	6
<i>Solid Stainless Steel Shelves halfsize</i>	3	3	3	3
<i>Casters</i>	4 (2 Locking)	4 (2 Locking)	4 (2 Locking)	6 (3 Locking)
<i>Condensing Unit Size</i>	1/4 HP	1/3 HP	1/3 HP	1/2 HP
<i>Refrigerant</i>	R-134a	R-134a	R-134a	R-134a
<i>Total Amp Draw /0</i>	4.9	8.0	8.0	9.1
<i>Total Amp Draw /5</i>	3.2	3.2	4.2	8.1

Specifications subject to change without notice.



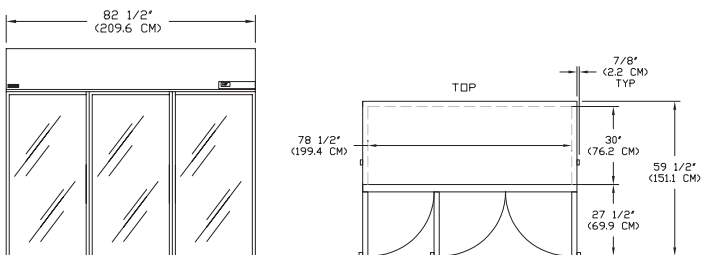
FRONT

NSCR522WWG



FRONT

NSCR522WWG



FRONT

NSCR803WWG

Voltage Model Suffix Code	Voltage Description	NEMA Plug	NEMA Receptacle
/0	115V, 1PH, 60HZ	5-15P	5-15R
/5	230V, 1PH, 50HZ	Power Inlet (IEC 60320) Module	Cord Supplied Locally



Revision Date: 09/13
 ©2013 NOR-LAKE, INC.
 Printed in the U.S.A.
 Part Number: 077435