

# NOR-LAKE<sup>®</sup> SCIENTIFIC

## FLAMMABLE STORAGE LABORATORY FREEZER

### MANUAL DEFROST

Designed to meet the demanding requirements for scientific and laboratory research. Advanced engineered design incorporates the latest in cabinet, refrigeration, temperature control and monitoring features. Provides energy efficient, convenient, safe and reliable performance for optimal storage temperature environments necessary for a wide range of life science, pharmacy, biological, medical, clinical and industrial applications.

#### Standard Features:

- For storage of flammables in approved containers for Class I, Division 2 Storage of Flammable Liquids per NFPA Standards, 70, 99, 45, 497A, UL471
- Mechanical cold controller
- Internal chamber thermometer
- Adjustable control range from -10°C to -25°C factory preset at -20°C
- Power supply switch
- Exterior cabinet front, sides and back are painted white
- Exterior cabinet top and bottom are galvanized steel
- Interior cabinet liner and interior door panel are smooth aluminum
- Cabinet and solid door are foamed-in-place with CFC Free high density polyurethane foam insulation
- Heavy duty solid door with spring loaded hinges
- Full length pull door handle
- Magnetic door gasket
- Centered key door lock (2 keys)
- Four casters (2 locking)
- 3 coated wire shelves
- Air cooled condensing unit
- Top mounted refrigeration system
- Cold wall evaporator, manual defrost
- Warranties: 18 month parts and labor, 5 year compressor (US and Canada), 18 months parts (International)
- UL/CUL listed

#### Optional Features:

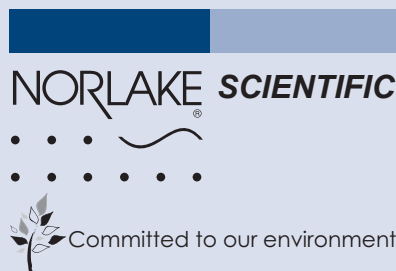
- Extra shelf
- Stainless steel drawer (8 maximum)
- Wire basket drawer (6 maximum)
- Legs in lieu of casters
- Stainless steel interior
- Stainless steel exterior
- Reverse door hinge
- Export crating



NSFF241WMW/0M

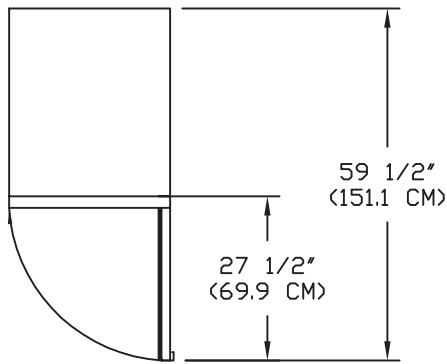


NSFF241WMW/0M

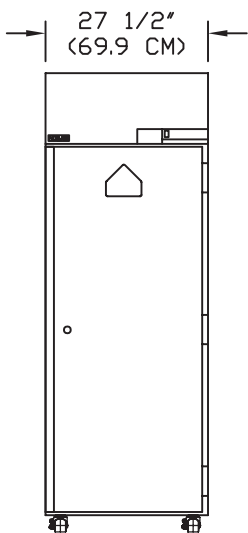


Nor-Lake, Inc.  
Registered to ISO 9001:2008  
File No. 10001816

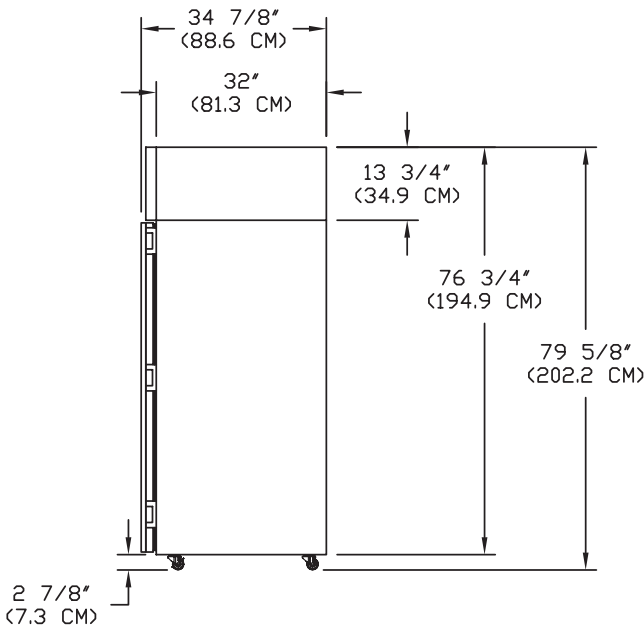
NOR-LAKE SCIENTIFIC  
A Division of  
NOR-LAKE, INCORPORATED  
727 Second Street  
P.O. Box 248  
Hudson, Wisconsin 54016  
800-477-5253  
715-386-2323  
800-388-5253 PARTS  
715-386-4290 FAX  
[www.norlakescientific.com](http://www.norlakescientific.com)



**Top View - NSFF241WMW/0M**



**Front View - NSFF241WMW/0M**



**Side View - NSFF241WMW/0M**

**SPECIFICATIONS**

Model	NSFF241WMW/0M
Crated Height (in) (cm)	83-3/4" (212)
Crated Width (in) (cm)	37" (94)
Crated Depth (in) (cm)	41" (104)
Crated Weight (lbs) (kg)	382 (173)
Interior Height (in) (cm)	59" (149)
Interior Width (in) (cm)	23-1/2" (59)
Interior Depth (in) (cm)	30" (76)
Overall Height - Adjustable (in) (cm)	79-5/8" (202)
Overall Width (in) (cm)	27-1/2" (69)
Overall Depth (in) (cm)	34-7/8" (88)
Gross Cubage (ft.3) (m3)	24 (0.68)
Shelf Area (sq. ft.) (m <sup>2</sup> )	12.8 (1.1)
Number of Shelves	3
Number of Casters	4
Condensing Unit Size	3/4 HP
Refrigerant	R-404A
Electrical Characteristics	115/60/1
Cord & Plug Furnished	Yes
Maximum Fuse Size	15 AMPS
NEMA Plug	5-15P
Total Amp Draw	8.2

Specifications subject to change without notice.

**Manual Defrost Freezer**

*This is a cold wall freezer model which employs evaporator tubing embedded in the sidewalls, back, and top of the unit. During the refrigeration process, heat is removed through the evaporator tubing and expelled through the condensing unit. It will be necessary to occasionally manually defrost the freezer when frost has accumulated. To do this, unplug the unit and open the door. Wipe the cabinet dry when defrosting is complete.*

Voltage Model Suffix Code	Voltage Description	NEMA Plug	NEMA Receptacle
/0	115V/1PH/60HZ	5-15P	5-15R



Revision Date: 6/10  
 ©2010 NOR-LAKE, INC.  
 Printed in the U.S.A.  
 Part Number: 116912

