

NOR-LAKE[®] SCIENTIFIC

GENERAL PURPOSE LABORATORY FREEZER

UPRIGHT MANUAL DEFROST

Standard Features:

- Operating temperature: -10°C to -20°C
- Manual defrost
- Adjustable temperature control
- 4 white evaporator shelves
- 1 full access sliding storage basket
- 5" adjustable individual trays on inner door
- Clear drop down storage bin
- Lock with pop out key
- Interior light
- Defrost drain
- 2 adjustable leg levelers
- Automatic door closer
- White interior, exterior, door and handle
- Complete cabinet is foamed-in-place with CFC free high density polyurethane foam insulation
- Warranty: 12 months parts and labor (US and Canada), 12 months parts (International)



Digital Thermometer Alarm (optional)

Optional Features:

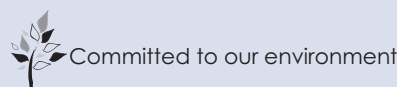
- Digital thermometer monitor with alarm (field install)
- Export crating



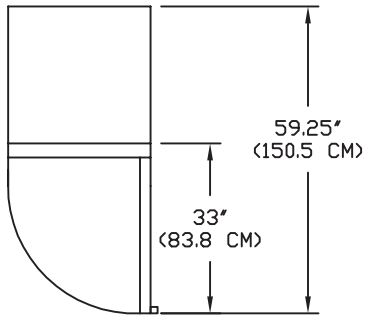
LF201WWW/0M



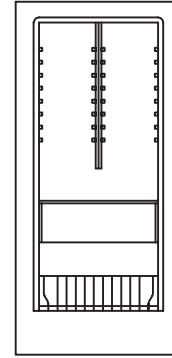
LF201WWW/0M



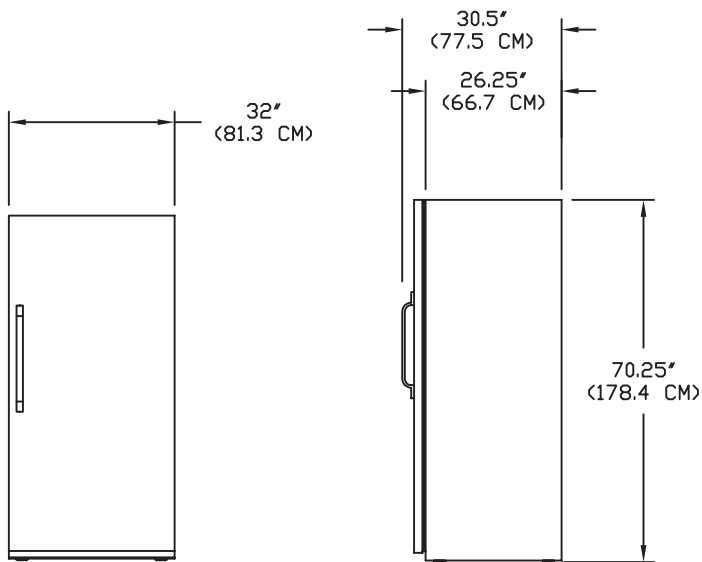
NOR-LAKE SCIENTIFIC
A Division of
NOR-LAKE, INCORPORATED
727 Second Street
P.O. Box 248
Hudson, Wisconsin 54016
800-477-5253
715-386-2323
800-388-5253 PARTS
715-386-4290 FAX
www.norlakescientific.com



Top View - LF201WWW/0M



Inner Door View - LF201WWW/0M

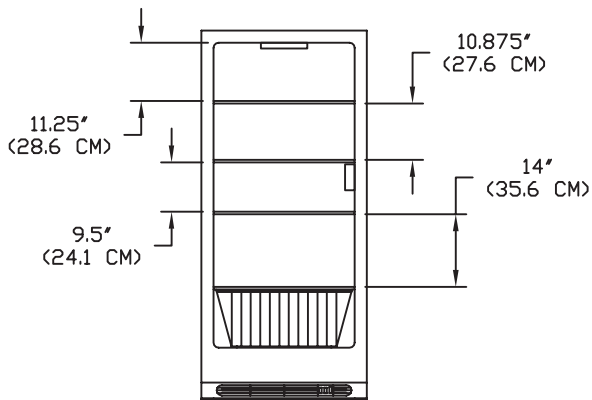


Front and Side Views - LF201WWW/0M

SPECIFICATIONS

| Model | LF201WWW/0M |
|---------------------------|--------------|
| Crated Weight (lbs) (kg) | 380 (172) |
| Crated Height (in) (cm) | 73-7/8 (187) |
| Crated Width (in) (cm) | 42 (106) |
| Crated Depth (in) (cm) | 42 (106) |
| Interior Height (in) (cm) | 57 (144) |
| Interior Width (in) (cm) | 27-1/2 (69) |
| Interior Depth (in) (cm) | 24 (60) |
| Overall Height (in) (cm) | 70-1/4 (178) |
| Overall Width (in) (cm) | 32 (80) |
| Overall Depth (in) (cm) | 30-1/2 (77) |
| Gross Cubage (CuFt) (L) | 20.6 (583) |
| Refrigerant | R-134a |
| Total Amp Draw | 5.0 |

Specifications subject to change without notice.



Shelf View - LF201WWW/0M

| Voltage Model Suffix Code | Voltage Description | NEMA Plug | NEMA Receptacle |
|---------------------------|---------------------|-----------|-----------------|
| /0 | 115V,1PH,60HZ | 5-15P | 5-15R |



NORLAKE SCIENTIFIC

Revision Date: 10/13
 ©2013 NOR-LAKE, INC.
 Printed in the U.S.A.
 Part Number: 139511

