

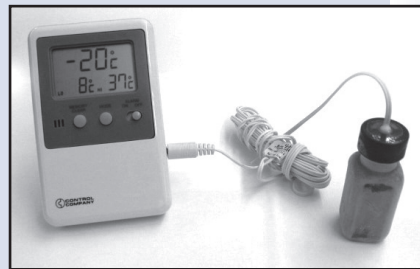
# NOR-LAKE<sup>®</sup> SCIENTIFIC

## GENERAL PURPOSE LABORATORY FREEZER

### UPRIGHT AUTO DEFROST

#### Standard Features:

- Operating temperature: -10°C to -20°C
- Auto defrost, forced air
- Adjustable temperature control
- 4 fixed position wire shelves (1st and 3rd shelves adjustable)
- 1 full storage basket
- 6 full-width fixed door bins
- Lock with pop out key
- Interior light
- Power on light
- Temperature alarm system with buzzer and light
- 2 adjustable leg levelers
- White painted door handle
- Automatic door closer
- White interior, exterior, door and handle
- Complete cabinet is foamed-in-place with CFC Free high density polyurethane foam insulation
- Warranty: 12 months parts



**Digital Thermometer Alarm (optional)**

#### Optional Features:

- Digital thermometer monitor with alarm (Field Install)
- Export crating



**LF201WWW/0**



**LF201WWW/0**

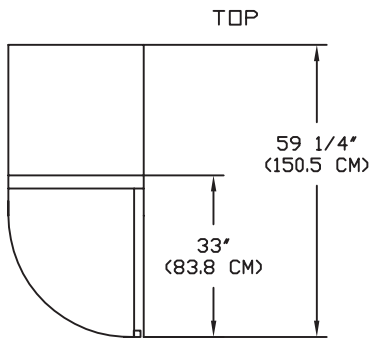
**NORLAKE SCIENTIFIC**



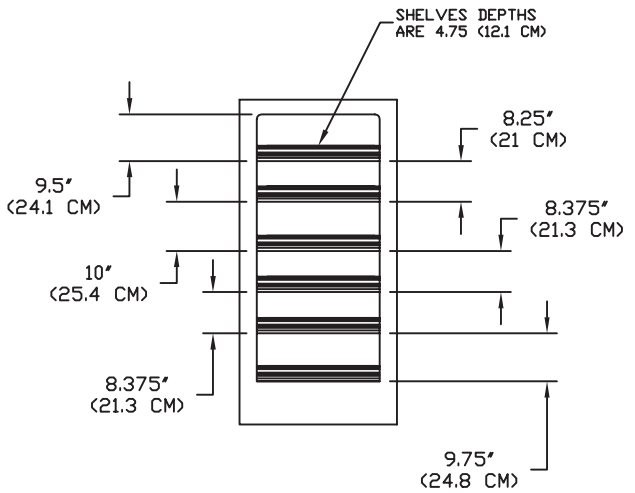
Committed to our environment

**ISO 9001:2008**  
Registered to ISO 9001:2008  
File No. 10001816

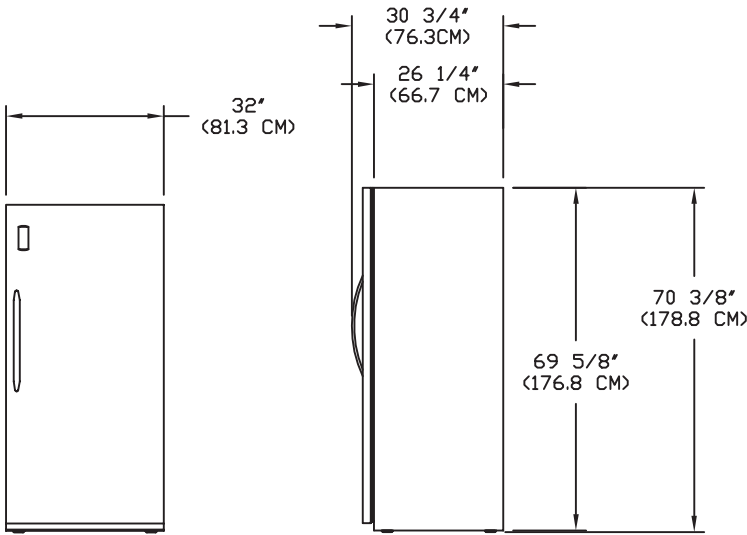
NOR-LAKE SCIENTIFIC  
A Division of  
NOR-LAKE, INCORPORATED  
727 Second Street  
P.O. Box 248  
Hudson, Wisconsin 54016  
800-477-5253  
715-386-2323  
800-388-5253 PARTS  
715-386-4290 FAX  
[www.norlakescientific.com](http://www.norlakescientific.com)



**Top View - LF201WWW/0**



**Inner Door View - LF201WWW/0**

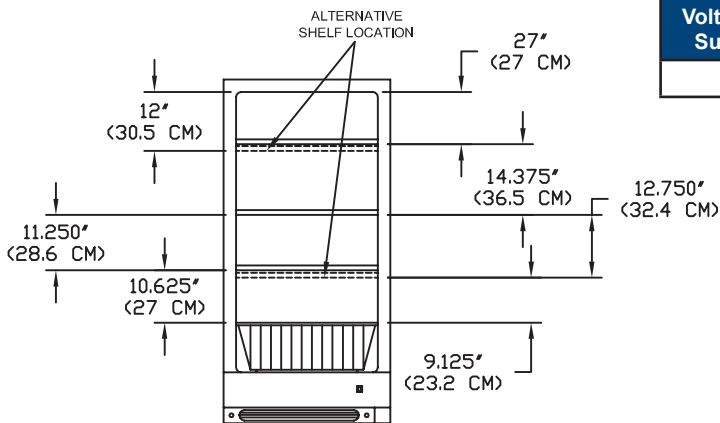


**Front and Side Views - LF201WWW/0**

**SPECIFICATIONS**

Models	LF201WWW/0
Crated Height (in) (cm)	73-3/8" (186)
Crated Width (in) (cm)	42" (106)
Crated Depth (in) (cm)	42" (106)
Crated Weight (lbs) (kg)	380 (172)
Interior Height (in) (cm)	57-1/2" (146)
Interior Width (in) (cm)	27-1/2" (69)
Interior Depth (in) (cm)	23-1/2" (59)
Overall Height (in) (cm)	70-3/8" (178)
Overall Width (in) (cm)	32" (81)
Overall Depth (in) (cm)	30-3/4" (76)
Gross Cubage (ft. <sup>3</sup> ) (m <sup>3</sup> )	20.3 (.5)
Refrigerant	R-134a
Maximum Fuse Size	15 AMPS
Total Amp Draw	5.0

Specifications subject to change without notice.



**Shelf View - LF201WWW/0**

Voltage Model Suffix Code	Voltage Description	NEMA Plug	NEMA Receptacle
/0	115V, 1PH, 60HZ	5-15P	5-15R

**NORLAKE SCIENTIFIC**

Revision Date: 7/10  
 ©2010 NOR-LAKE, INC.  
 Printed in the U.S.A.  
 Part Number: 139510

