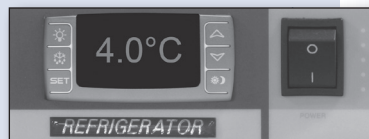


NOR-LAKE[®] SCIENTIFIC PREMIER[™] SOLID DOOR LABORATORY AND PHARMACY REFRIGERATORS

Designed to meet the demanding requirements for scientific and laboratory research. Advanced engineered design incorporates the latest in cabinet, refrigeration, temperature control and monitoring features. Provides energy efficient, convenient, safe and reliable performance for optimal storage temperature environments necessary for a wide range of life science, pharmacy, biological, medical, clinical and industrial applications.

Standard Features:

- Digital LED display microprocessor temperature controller
- Audible and visual Hi/Lo temperature alarm
- Adjustable control range from +2°C to +10°C; factory preset at +4°C
- Remote alarm contacts
- Continuous product temperature display
- Product sensor with glycerin bottle
- Power supply switch
- Exterior cabinet front, sides and back are painted white
- Exterior cabinet top and bottom are galvanized steel
- Interior cabinet liner and interior door panel are painted white
- Cabinet and solid door are foamed-in-place with CFC free high density polyurethane foam insulation
- Heavy duty solid door(s) with pivot hinges
- Full length pull door handle(s)
- Magnetic door gaskets
- Centered key door lock(s) (2 keys)
- Four casters (2 locking) on one and two door models, six casters (3 locking) on three door models
- 3 coated wire shelves per door section
- Interior light, switch activated
- Air cooled condensing unit
- Top mounted forced air refrigeration system
- Automatic defrost and condensate evaporation
- Warranties: 18 month parts and labor, 5 year compressor (US and Canada), 18 months parts (International)
- UL/CUL listed



Optional Features:

- Extra shelf
- Stainless steel drawer (8 maximum)
- Wire basket drawer (8 maximum)
- Sensor access port 1" diameter
- Access port 2" sleeve with cover
- Internal electrical outlet
- Legs in lieu of casters
- Stainless steel interior
- Stainless steel exterior
- Reverse door hinge
- Temperature chart recorder with chart paper
- 4-20ma output
- Export crating



NSPR522WWW/



NSPR241WWW/ NSPR331WWW/ NSPR522WWW/ NSPR803WWW/

NORLAKE SCIENTIFIC

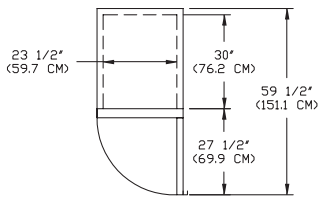


Committed to our environment

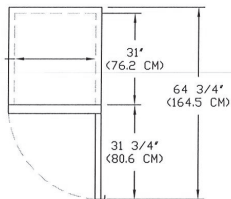


Nor-Lake, Inc.
Registered to ISO 9001:2008
File No. 10001816

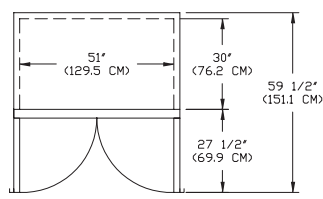
NOR-LAKE SCIENTIFIC
A Division of
NOR-LAKE, INCORPORATED
727 Second Street
P.O. Box 248
Hudson, Wisconsin 54016
800-477-5253
715-386-2323
800-388-5253 PARTS
715-386-4290 FAX
www.norlakescientific.com



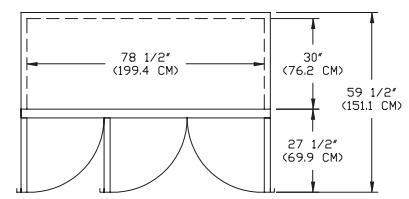
NSPR241WWW/



NSPR331WWW/

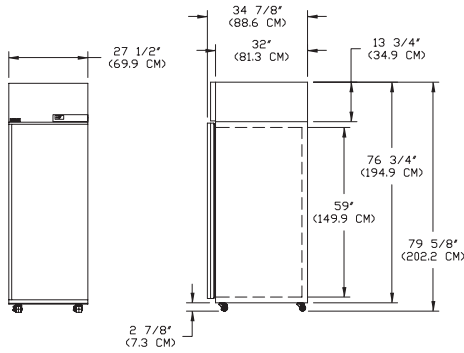


NSPR522WWW/

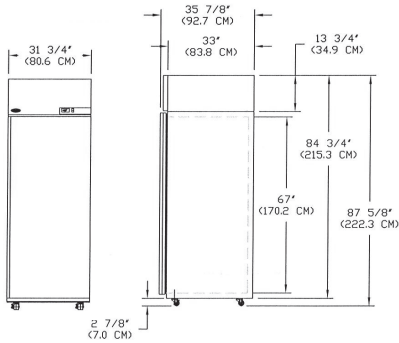


NSPR803WWW/

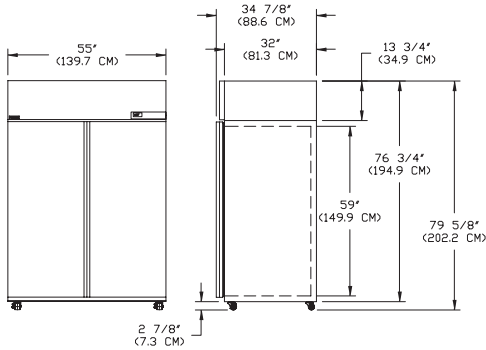
TOP



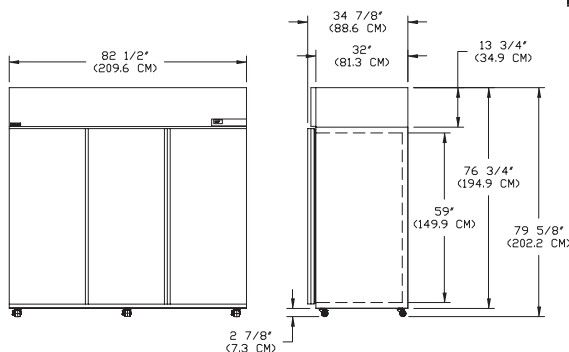
NSPR241WWW/



NSPR331WWW/



NSPR522WWW/



NSPR803WWW/

FRONT

SIDE

SPECIFICATIONS

Models	NSPR241WWW/0	NSPR331WWW/0	NSPR522WWW/0	NSPR803WWW/0
	NSPR241WWW/5	NSPR331WWW/5	NSPR522WWW/5	NSPR803WWW/5
Crated Weight (lbs) (kg)	365 (165)	439 (199)	590 (268)	750 (340)
Crated Height (in) (cm)	83 (212)	91 (233)	83 (212)	83 (212)
Crated Width (in) (cm)	31-7/8 (96)	36-1/4 (89)	59 (149)	86-1/2 (218)
Crated Depth (in) (cm)	38-7/8 (101)	39-7/8 (99)	39-7/8 (101)	38-7/8 (96)
Interior Height (in) (cm)	59 (149)	67 (170)	59 (149)	59 (149)
Interior Width (in) (cm)	23-1/2 (59)	27-3/4 (70)	51 (129)	78-1/2 (199)
Interior Depth (in) (cm)	30 (76)	31 (78)	30 (76)	30 (76)
Overall Height (in) (cm)	79-5/8 (202)	87-5/8 (222)	79-5/8 (202)	79-5/8 (202)
Overall Width (in) (cm)	27-1/2 (69)	31-3/4 (80)	55 (139)	82-1/2 (209)
Overall Depth (in) (cm)	34-7/8 (88)	35-7/8 (91)	34-7/8 (88)	34-7/8 (88)
Gross Cubage (CuFt) (L)	24.0 (680)	33.1 (937)	52.0 (1472)	80.0 (2264)
Shelf Area (SqFt) (Sqm)	12.83 (1.1)	15.85 (1.4)	28.6 (2.6)	42.84 (3.9)
Number of Shelves	3	3	6	9
Number of Casters	4	4	4	6
Condensing Unit Size	1/4 HP	1/4 HP	1/3 HP	1/2 HP
Refrigerant	R-134a	R-134a	R-134a	R-134a
Total Amp Draw /0	4.9	4.9	8.0	9.1
Total Amp Draw /5	3.2	3.2	4.2	8.1

Specifications subject to change without notice.

Voltage/Model Suffix Code	Voltage Description	NEMA Plug	NEMA Receptacle
/0	115V, 1PH, 60HZ	5-15P	5-15R
/5	230V, 1PH, 50HZ	Power Inlet (IEC60320)Module	Cord Supplied Locally



NORLAKE SCIENTIFIC

Revision Date: 11/13
 ©2013 NOR-LAKE, INC.
 Printed in the U.S.A.
 Part Number: 132506

