

# NOR-LAKE<sup>®</sup> SCIENTIFIC UNDERCOUNTER REFRIGERATORS

**+4°C MANUAL DEFROST FOR GENERAL LABORATORY / PHARMACY STORAGE**

Designed to meet the demanding requirements for scientific and laboratory research. Advanced engineered design incorporates the latest in cabinet, refrigeration, temperature control and monitoring features. Provides energy efficient, convenient, safe and reliable performance for optimal storage temperature environments necessary for a wide range of life science, pharmacy, biological, medical, clinical, and industrial applications.

#### Standard Features:

- Adjustable control range from +2°C to +8°C factory preset at +4°C
- Exterior cabinet front, sides and back are painted white
- Exterior cabinet back and bottom are galvanized steel
- Interior cabinet liner and interior door smooth aluminum
- Cabinet and solid door are foamed-in-place with CFC Free high density polyurethane foam insulation
- Heavy duty solid door with hinges
- Pull door handle
- Magnetic door gasket
- Centered key door lock (2 keys)
- Four 4" legs
- 1 coated wire shelf
- Cold wall evaporator refrigeration system
- Manual defrost
- Air intake and exhaust through the base of the unit for build-in on three sides
- Warranties: 18 month parts and labor, 5 year compressor (US and Canada), 18 months parts (International)
- UL/CUL listed

#### Optional Features:

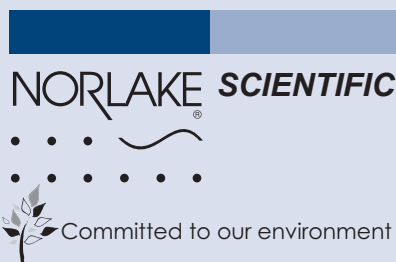
- Extra shelf
- Casters in lieu of legs
- Levelers in lieu of legs
- Stainless steel interior
- Stainless steel exterior
- Temperature chart recorder (free standing) with chart paper
- Digital thermometer monitor with alarm (Field Install)
- Export crating



**NSLR041WMW/0M**



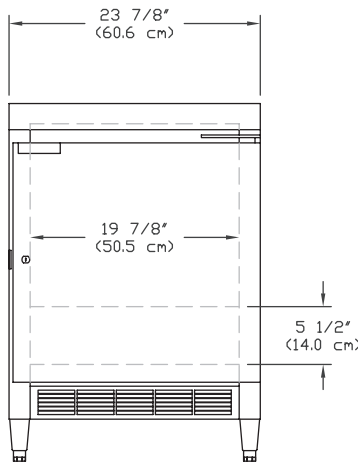
**Digital Thermometer Alarm (optional)**



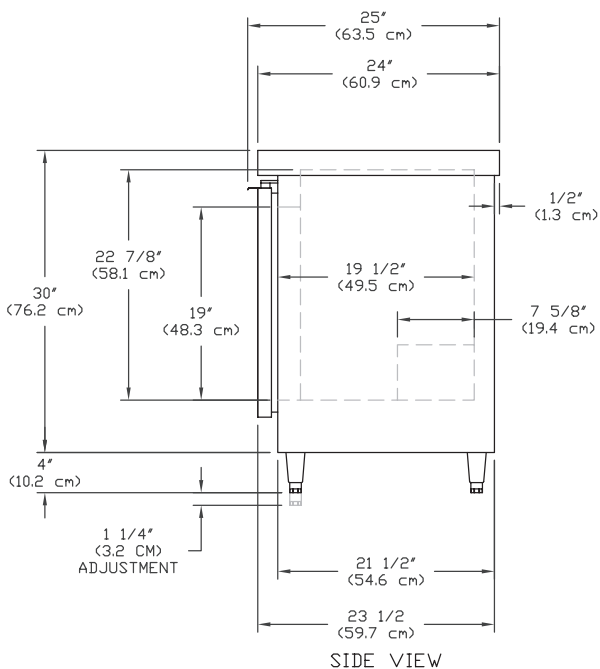
Nor-Lake, Inc.  
Registered to ISO 9001:2008  
File No. 10001816

NOR-LAKE SCIENTIFIC  
A Division of  
NOR-LAKE, INCORPORATED  
727 Second Street  
P.O. Box 248  
Hudson, Wisconsin 54016  
800-477-5253  
715-386-2323  
800-388-5253 PARTS  
715-386-4290 FAX  
[www.norlakescientific.com](http://www.norlakescientific.com)

## SPECIFICATIONS



**NSLR041WMW/0M - Front View**



**NSLR041WMW/0M - Side View**

Model	NSLR041WMW/0M
Crated Height (in) (cm)	35" (88)
Crated Width (in) (cm)	28-1/2" (72)
Crated Depth (in) (cm)	28" (71)
Crated Weight (lbs) (kg)	175 (79)
Interior Height (in) (cm)	22-7/8" (58)
Interior Width (in) (cm)	19-7/8" (50)
Interior Depth (in) (cm)	19-1/2" (49)
Overall Height (in) (cm)	34" (86) to 35-1/4" (89)
Overall Width (in) (cm)	23-7/8" (60)
Overall Depth (in) (cm)	25" (63)
Gross Cubage (ft.3) (L)	4.6 (130)
Shelf Area (sq. ft.) (m <sup>2</sup> )	2.28 (0.2)
Number of Shelves	1
Number of Legs	4
Condensing Unit Size	1/8 HP
Refrigerant	R-134a
Electrical Characteristics	115/60/1
Cord & Plug Furnished	Yes
Maximum Fuse Size	15 AMPS
NEMA Plug	5-15P
Total Amp Draw	3.5

Specifications subject to change without notice.

\* The overall heights shown in the table and drawings are with 4" adjustable legs. With the 3-5/8" casters the overall height is 33-5/8". With 2" levelers, the overall height is adjustable from 32" to 32-1/2".

### Manual Defrost Refrigerator

This is a cold wall refrigerator which employs evaporator tubing embedded in the sidewalls, back, and top of the unit. During the refrigeration process, heat is removed through the evaporator tubing and expelled through the condensing unit. Condensation and frost may form on the interior of the cabinet and should be periodically wiped dry.

Voltage Model Suffix Code	Voltage Description	NEMA Plug	NEMA Receptacle
/0	115/1PH/60HZ	5-15P	5-15R

**NORLAKE SCIENTIFIC**

Revision Date: 05/12  
 ©2012 NOR-LAKE, INC.  
 Printed in the U.S.A.  
 Part Number: 143248