



JOB:
ITEM:
QTY:

98667-FOLDING PLATFORM TRUCK

APPLICATION:

The bulk delivery truck is ideal for transporting heavy loads from the backroom to the floor area or even directly from the truck into a cooler. Big enough to transport enough product to stock a complete area, this folding delivery truck allows quick, convenient stocking.

HANDLE:

1 1/2" O.D. x .153" wall extruded aluminum tube. Cross bars are 1/2" x 1" x .100" wall tube both horizontal and vertical.

PLATFORM FRAME:

Integrated deck is designed with 1 1/2" x 1 3/4" x .09, the tube is designed with a groove to accept an extruded 1/16" x 2 5/8" slat to create a solid deck. Each end of the deck is capped with 2" x 2" x 3/16" wall extruded angle.

CASTERS:

This truck comes equipped with 8" x 2" or 6" x 2" TPR casters.

GUARANTEED TO LAST:

Guaranteed to last, this truck carries a **Lifetime Guarantee** against rust and corrosion as well as a **Five-Year Guarantee** against material defects and workmanship.

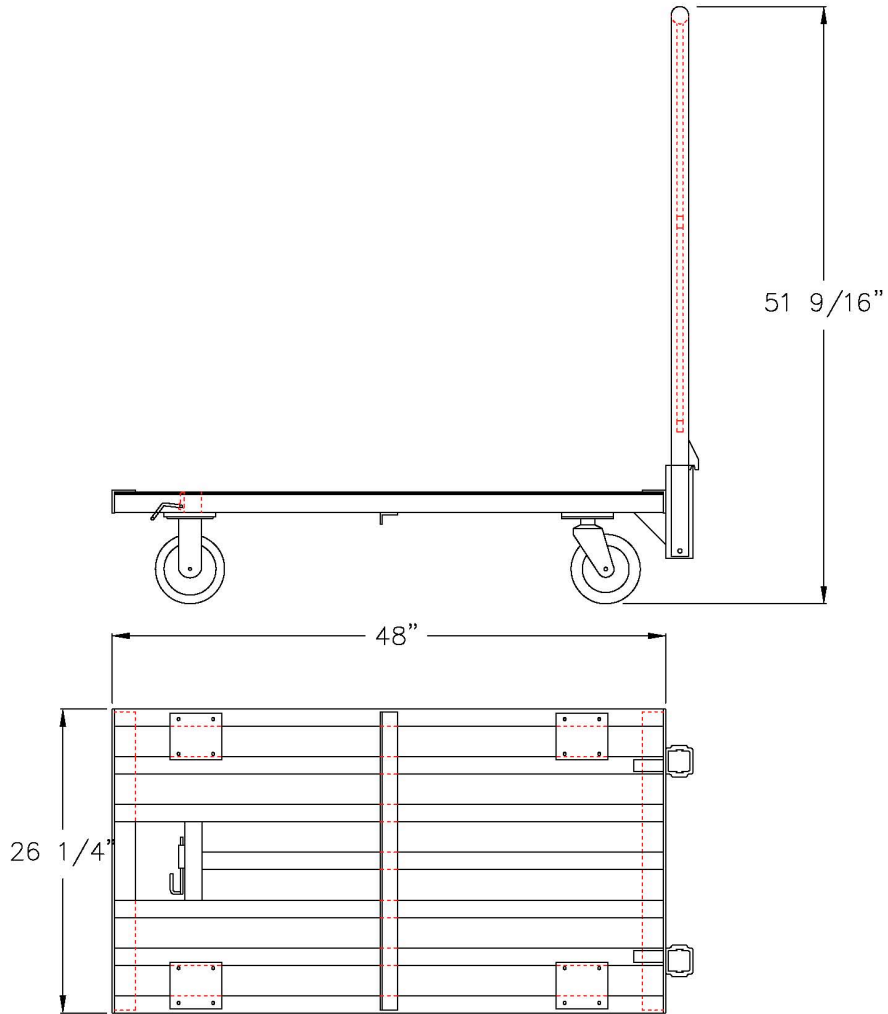


Model #98667



Phone: 800-255-0104
Fax: 877-877-7687
www.newageindustrial.com
sales@newageindustrial.com

New Age Industrial reserves the right to modify or make changes at any time without notice to materials and specifications.



Model #98667

Model No.	Size-W	Size-H	Size-D	Wt. Cap.
98667	26 1/4"	51 9/16"	48"	800#



Phone: 800-255-0104
 Fax: 877-877-7687
www.newageindustrial.com
sales@newageindustrial.com

New Age Industrial reserves the right to modify or make changes at any time without notice to materials and specifications.