

JOB:  
ITEM:  
QTY:



## FLAT DOLLIES

### APPLICATION:

One-piece aluminum sheet design with open corners for easy cleaning. Two-inch (2") sides bent upward to contain product. Chicken case dolly has three sides up and one side down for easy loading and unloading of product. Casters are 3" x 1-1/4" polyolefin swivel wheels. Dolly with Handle must be ordered at the time of fabrication.

### MATERIAL:

These dollies are constructed out of .080" aluminum sheet. The handles are constructed out of 1 5/16" diameter aluminum pipe.

### CASTERS:

These dollies come equipped with four 3" platform type swivel casters.

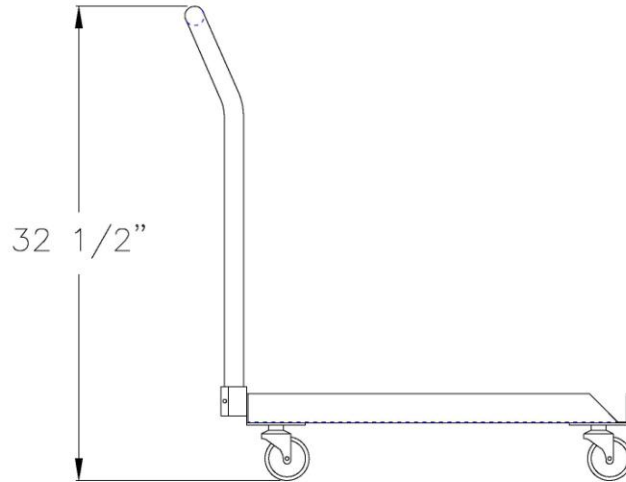
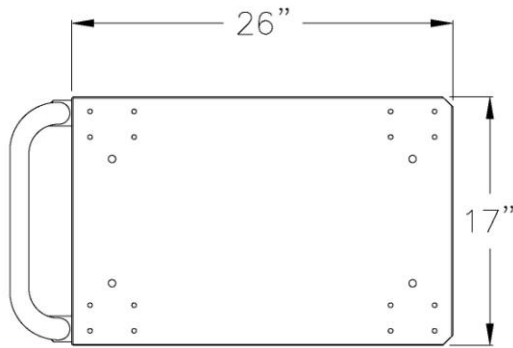
### GUARANTEE:

These dollies carry a **Lifetime Guarantee** against rust and corrosion and also carry a **Five-Year Guarantee** against workmanship and material defects.



Phone: 800-255-0104  
Fax: 877-877-7687  
[www.newageindustrial.com](http://www.newageindustrial.com)  
[sales@newageindustrial.com](mailto:sales@newageindustrial.com)

New Age Industrial reserves the right to modify or make changes at any time without notice to materials and specifications.



### Model #99251H

Model No.	Size-W	Size-H	Size-L	Description
99260	19"	6"	23 1/2"	Chill Tray Dolly
99260H	19"	32 1/2"	25 1/4"	Chill Tray Dolly With Handle
99261	21"	6"	21"	Glass Rack Dolly
99261H	21"	32 1/2"	22 3/4"	Glass Rack Dolly With Handle
99262	18 3/8"	6"	26 1/2"	Bun/Dough Pan Dolly
99262H	18 3/8"	32 1/2"	28 1/4"	Bun/Dough Pan Dolly With Handle
99251	17"	6"	26"	Empty Lug Dolly
99251H	17"	32 1/2"	27 3/4"	Empty Lug Dolly With Handle
99263	15 1/4"	6"	23"	Chicken Case Dolly
99424	26 1/2"	6"	26 1/2"	Beer/Pop Display Dolly



Phone: 800-255-0104  
 Fax: 877-877-7687  
[www.newageindustrial.com](http://www.newageindustrial.com)  
[sales@newageindustrial.com](mailto:sales@newageindustrial.com)

New Age Industrial reserves the right to modify or make changes at any time without notice to materials and specifications.