

FEATURES & SPECIFICATIONS

INTENDED USE

Provides maintenance-free general illumination for outdoor use in residential and commercial applications such as retail, education, multi-unit housing and storage. Ideal for lighting building facades, parking areas, walkways, garages, loading areas and any other outdoor space requiring reliable safety and security.

CONSTRUCTION

Sturdy weather-resistant aluminum housing with a bronze finish.

High performance LEDs are powered by an MVOLT driver that provides 2,300/3,100 delivered lumens at 5000K. 50,000 hour average LED life means no lamp replacement. Fixture is maintenance-free.

Rated for outdoor installations -40°C minimum ambient.

Adjustable Dusk-to-Dawn, photocell standard automatically turns light on at dusk and off at dawn for convenience and energy savings.

Photocell can be disabled by rotating the photocell cover.

OPTICS

Precision-molded acrylic lenses provide optimal luminaire spacing with Type 3 distribution.

Nighttime Friendly™ full cutoff above 90° angle, standard.

INSTALLATION

Wall or arm mount (mounting arm sold separately).

All mounting hardware included.

LISTINGS

UL Certified to US safety standards. C-UL Certified to Canadian safety standards. Wet location listed.

Tested in accordance with IESNA LM-79 and LM-80 standards. DLC qualified product.

WARRANTY

Five-year limited warranty.

Full warranty terms located at www.AcuityBrands.com/CustomerResources/Terms_and_Conditions.aspx.

NOTE: Specifications are subject to change without notice.

Catalog Number
Notes
Type

Outdoor General Purpose

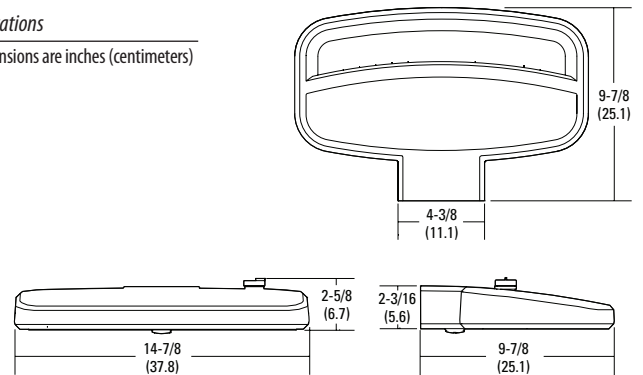
OLW

LED WALL PACK



Specifications

All dimensions are inches (centimeters)



ORDERING INFORMATION

For shortest lead times, configure products using **bolded options**.

Example: OLW 23

Series	Lumens / Color Temperature (CCT)	Voltage	Features	Finish
OLW LED Wall Light	23 2300 delivered lumens / 5000K ¹ 31 3100 delivered lumens / 5000K ¹	(blank) MVOLT (120V-277V)	(blank) Photocell included	(blank) DDB Dark Bronze

Accessories: Order as separate catalog number.

OMA M6 14" Aluminum Mounting Arm

Notes

1 Correlated Color Temperature (CCT) shown is nominal per ANSI C78,377-2008.

OLW LED Wall Light

PHOTOMETRICS

Full photometric data report available within 2 weeks from request. Consult factory.
Tested in accordance with IESNA LM-79 and LM-80 standards.

Lithonia Lighting

lighting facts[®]
A Program of the U.S. DOE

Light Output (Lumens)	2252
Watts	35
Lumens per Watt (Efficacy)	64

Color Accuracy	69
Color Rendering Index (CRI)	

Light Color
Correlated Color Temperature (CCT)

5152 (Daylight)

Warm White Bright White Daylight

2700K 3000K 4500K 6500K

All results are according to IESNA LM-79-2008: *Approved Method for the Electrical and Photometric Testing of Solid-State Lighting*. The U.S. Department of Energy (DOE) verifies product test data and results.

Visit www.lightingfacts.com for the *Label Reference Guide*.

Registration Number: NJSM-K7M71X (11/23/2011)
Model Number: OLW 23
Type: Outdoor wall pack

Lithonia Lighting

lighting facts[®]
A Program of the U.S. DOE

Light Output (Lumens)	3073
Watts	48
Lumens per Watt (Efficacy)	64

Color Accuracy	69
Color Rendering Index (CRI)	

Light Color
Correlated Color Temperature (CCT)

5223 (Daylight)

Warm White Bright White Daylight

2700K 3000K 4500K 6500K

All results are according to IESNA LM-79-2008: *Approved Method for the Electrical and Photometric Testing of Solid-State Lighting*. The U.S. Department of Energy (DOE) verifies product test data and results.

Visit www.lightingfacts.com for the *Label Reference Guide*.

Registration Number: NJSM-E18HRB (11/23/2011)
Model Number: OLW 31
Type: Outdoor wall pack