



**BCX-14 & BX-14  
COMBINATION OVEN STEAMER  
CNVX-14  
CONVECTION OVEN  
REPLACEMENT PARTS LIST**



**EFFECTIVE JULY 19, 2011**

**BLODGETT OVEN COMPANY**, 44 Lakeside Avenue, Burlington, Vermont 05401 USA

Telephone: (802) 658-6600 Fax: (802) 860-3732

[www.blodgett.com](http://www.blodgett.com)

P/N 52978 Rev B

Superseding All Previous Parts Lists.

The Company reserves the right to make substitution in the event that items specified are not available.

ERRORS: Descriptive and/or typographic errors are subject to correction.

[www.blodgett.com](http://www.blodgett.com)

**SERIAL NUMBER LOCATION / KEY:**

**IMPORTANT:** When ordering parts, please provide the model, gas type and serial number of the oven. The identification plate is located on the left side of the combustion compartment and, also, above the control panel under the ledge.

**SERIAL NUMBER IDENTIFICATION CODE:**

|                   |                    |
|-------------------|--------------------|
| <b>JU</b> BCX-14G | <b>JY</b> BX-14E   |
| <b>JX</b> BX-14G  | <b>JZ</b> CNVX-14G |
| <b>JW</b> BCX-14E | <b>KB</b> CNVX-14E |

**SERIAL NUMBER EXAMPLES**

**100709XX001T**

**10/07/09 = DATE**

**XX = LETTER CODE FOR MODEL NAME**

**001 = FACTORY SEQUENCE**

**T = TOP OVEN**

**OR**

**0685X1820101**

**10/09 = MONTH & YEAR**

**X = LETTER CODE FOR MODEL NAME**

**1820101 = FACTORY SEQUENCE**

**TO OBTAIN LITERATURE:**

Email: [literature@blodgett.com](mailto:literature@blodgett.com)

or

[www.blodgett.com](http://www.blodgett.com)

# TABLE OF CONTENTS

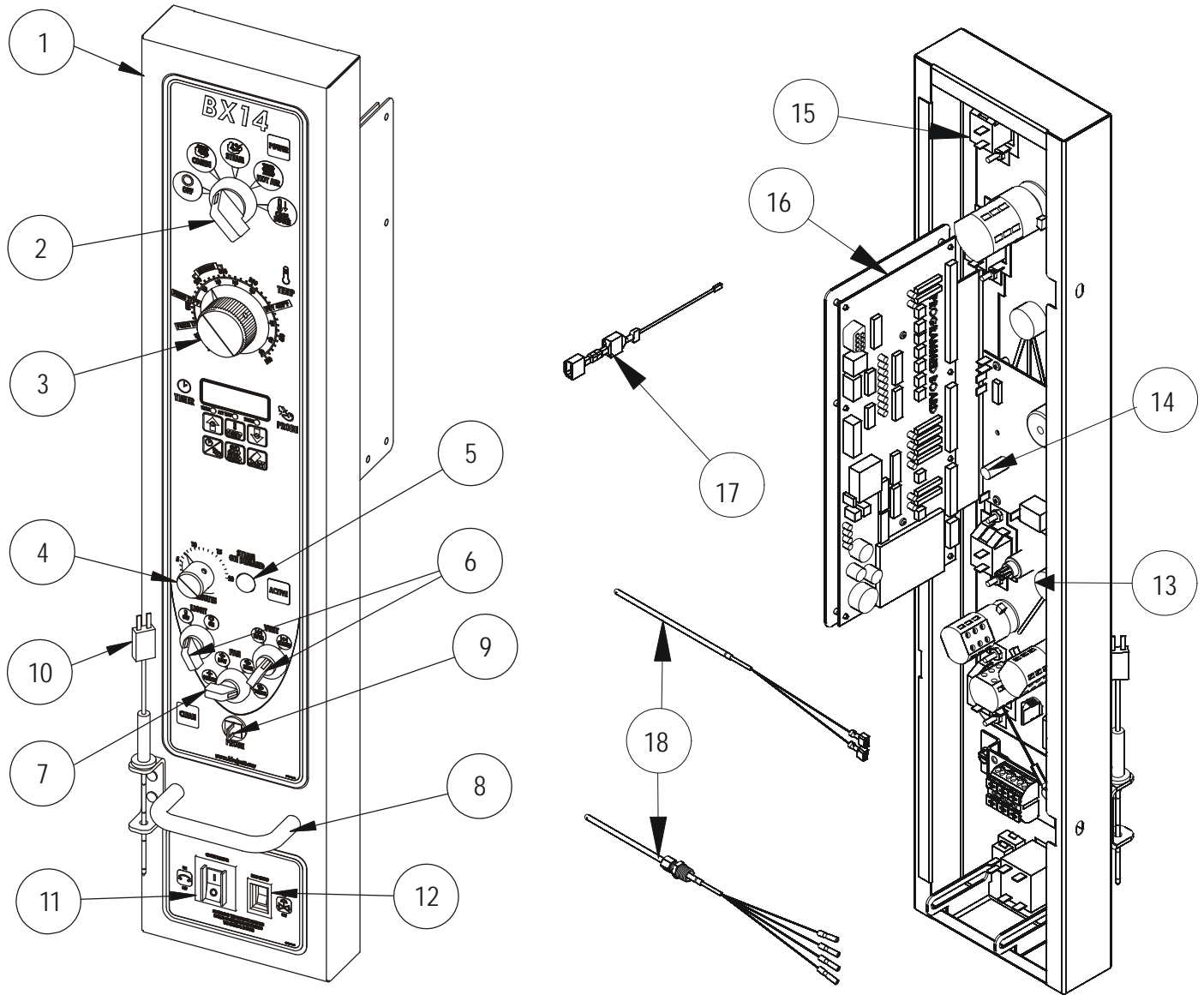
## ◆ Doors Are Not Returnable

|   |    |
|---|----|
| MANUAL CONTROLS .....                     | 4  |
| MENUSELECT CONTROLS .....                 | 6  |
| ELECTRICAL SYSTEMS .....                  | 7  |
| BOILERS .....                             | 11 |
| HOT AIR & HIGH VOLT ELECTRIC MODELS ..... | 13 |
| HOT AIR & GAS VALVES .....                | 14 |
| EXTERIOR/INTERIOR COMPONENTS .....        | 15 |
| DOORS & RELATED PARTS .....               | 16 |
| WATER SYSTEM .....                        | 17 |
| DRAIN & RAPID VENT SYSTEM .....           | 18 |
| VENTING & STACKING .....                  | 19 |
| MOTOR & LIGHTS .....                      | 20 |
| LEGS & ACCESSORIES .....                  | 21 |

# MANUAL CONTROLS

BCX/BX Models Before 9-15-2010

CNVX Models Before 12-27-2010



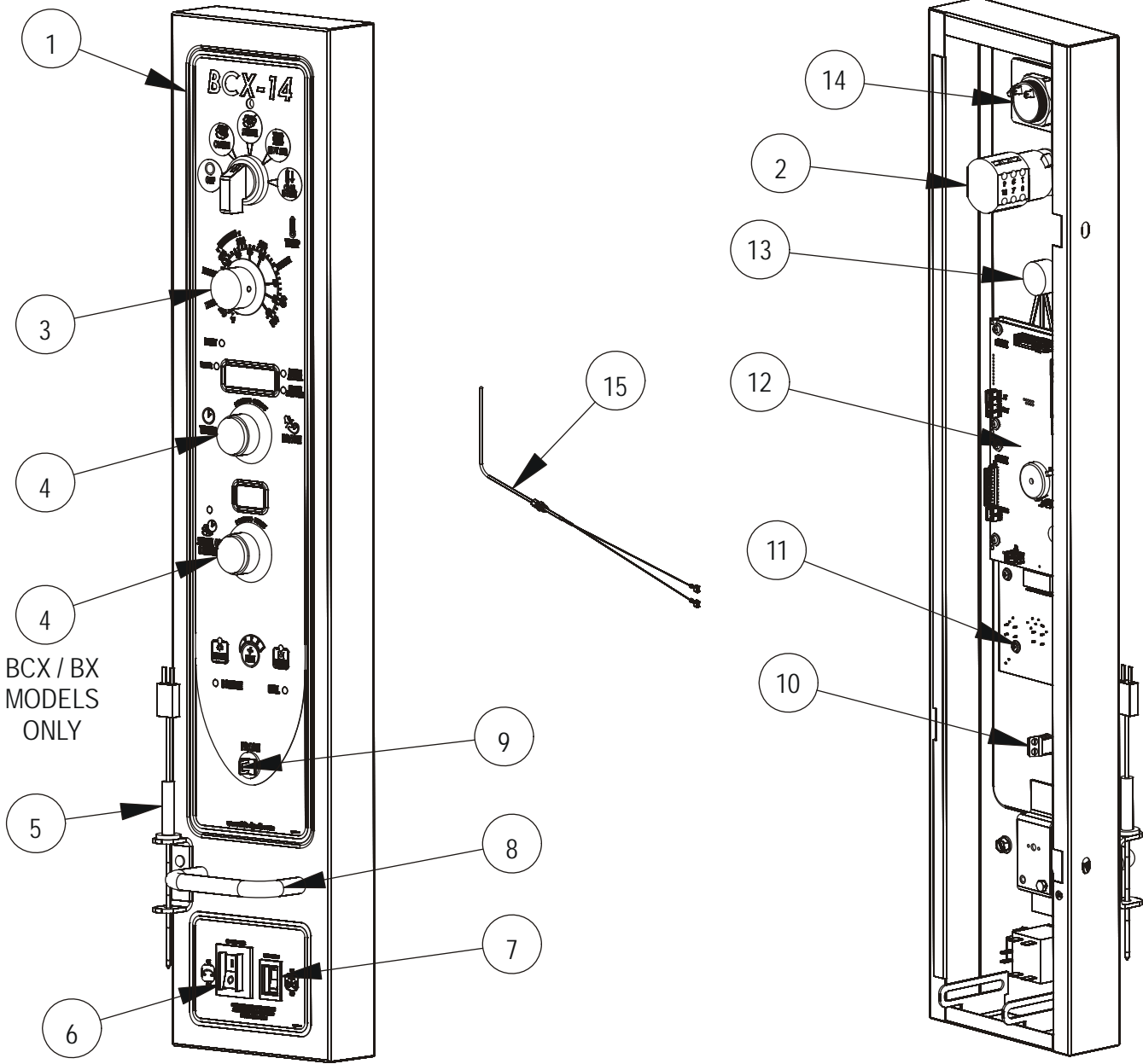
| Ref. No. | Part No. | Description                                  |
|----------|----------|--|
| 1        | 52927    | PANEL & DECAL, BCX MODELS                    |
|          | 52928    | PANEL & DECAL, BX MODELS                     |
|          | 52929    | PANEL & DECAL, CNVX MODELS                   |
| 2        | 39674    | MODE SWITCH, BCX & BX MODELS                 |
|          | R5686    | MODE SWITCH, CNVX MODELS                     |
| 3        | R8742    | KNOB, THERMOSTAT                             |
| 4        | R8743    | KNOB, STEAM ON DEMAND (BCX & BX MODELS ONLY) |
| 5        | R8595    | PUSHBUTTON SWITCH, (BCX & BX MODELS ONLY)    |
| 6        | 39791    | LIGHT AND VENT SWITCH                        |
| 7        | 39675    | FAN CONTROL SWITCH                           |
| 8        | R4413    | HANDLE                                       |
| 9        | 39781    | MEAT PROBE RECEPTACLE                        |
| 10       | 39797    | MEAT PROBE, 6" BCX & BX MODELS               |
|          | 39783    | MEAT PROBE, 4" CNVX MODELS                   |

| Ref. No. | Part No. | Description                                 |
|----------|----------|---|
| 11       | 39688    | CIRCUIT BREAKER, 20A                        |
| 12       | 36376    | HEAT CUTOFF SWITCH                          |
| 13       | R10338   | "STEAM ON DEMAND" TIMER                     |
| 14       | 39673    | TEMPERATURE CONTROLLER                      |
| 15       | 39689    | INDICATOR LIGHT (5 X BCX; 4 X BX; 2 X CNVX) |
| 16       | 50927    | CONTROL BOARD, BCX MODELS                   |
|          | 50928    | CONTROL BOARD, BX MODELS                    |
| 17       | 39800    | CAVITY PROBE, BCX & CNVX MODELS             |
|          | 50636    | CAVITY PROBE, BX MODELS ONLY                |
| 18       | 51109    | RESISTOR, 30 OHM ELECTRIC BX MODELS ONLY    |
|          | 51108    | RESISTOR, 18 OHM GAS BX MODELS ONLY         |
|          | 20043    | STRAIN RELIEF CABLE                         |

# MANUAL CONTROLS

BCX/BX Models After 9-15-2010

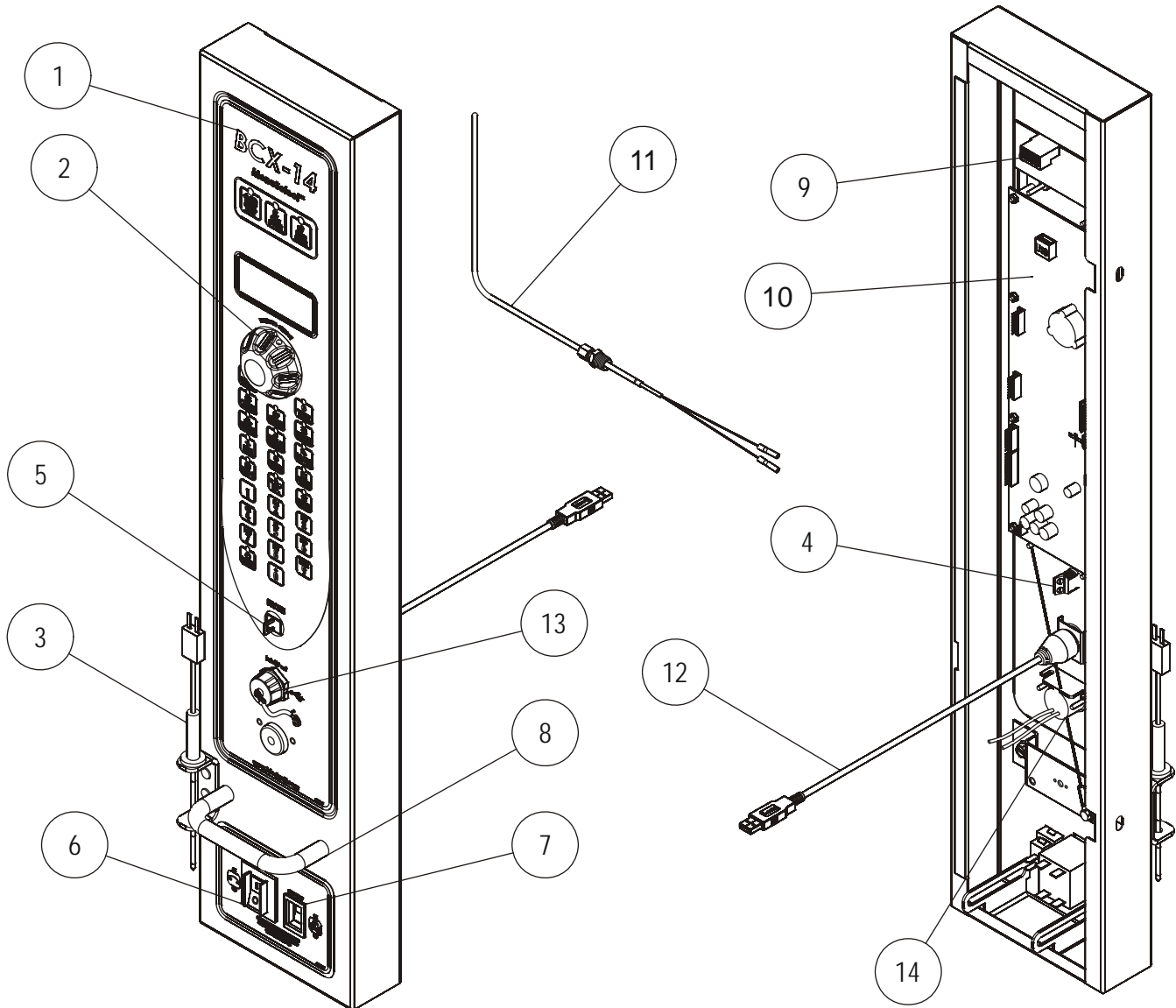
CNVX Models After 12-27-2010



| Ref. No. | Part No. | Description                        |
|----------|----------|------------------------------------|
| 1        | 54374    | PANEL & DECAL, BCX MODELS          |
|          | 54375    | PANEL & DECAL, BX MODELS           |
|          | 54376    | PANEL & DECAL, CNVX MODELS         |
| 2        | 52466    | MODE SWITCH (BCX & BX MODELS ONLY) |
|          | 53676    | MODE SWITCH (CNVX MODELS ONLY)     |
| 3        | 36616    | KNOB, W/ARROW                      |
| 4        | 36617    | KNOB, W/O ARROW                    |
| 5        | 39783    | MEAT PROBE, 4"                     |
| 6        | 36429    | CIRCUIT BREAKER                    |
| 7        | 36376    | HEAT CUTOFF SWITCH                 |
| 8        | R4413    | HANDLE                             |
| 9        | 39782    | MEAT PROBE JACK PLUG               |

| Ref. No. | Part No. | Description                 |
|----------|----------|-----------------------------|
| 10       | 39781    | MEAT PROBE JACK             |
| 11       | 53146    | BOARD, 3 BUTTON             |
| 12       | 53696    | PROGRAMMED CONTROL, BCX14G  |
|          | 53697    | PROGRAMMED CONTROL, BCX14E  |
|          | 53698    | PROGRAMMED CONTROL, BX14G   |
|          | 53699    | PROGRAMMED CONTROL, BX14E   |
|          | 53967    | PROGRAMMED CONTROL, CNVX14G |
|          | 53968    | PROGRAMMED CONTROL, CNVX14E |
| 13       | 18234    | POTENTIOMETER               |
| 14       | 52668    | REMOTE BUZZER               |
| 15       | 50310    | CAVITY PROBE                |
|          | 20043    | STRAIN RELIEF CABLE         |

# MENUSELECT CONTROLS



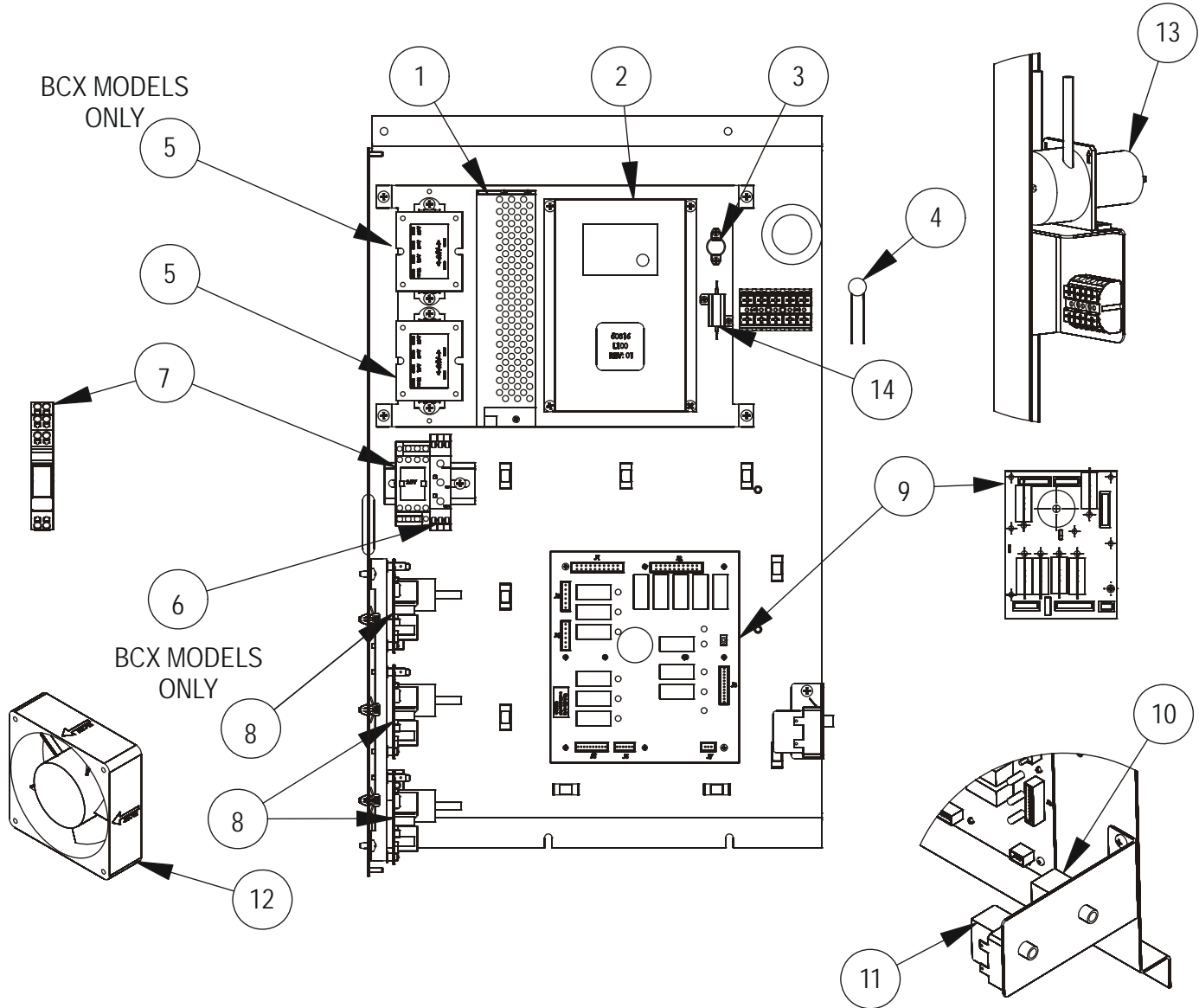
| <u>Ref. No.</u> | <u>Part No.</u> | <u>Description</u>                         |
|-----------------|-----------------|--|
| 1               | 52930           | PANEL & DECAL, BCX MODELS (BEFORE 1-17-11) |
|                 | 52931           | PANEL & DECAL, BX MODELS (BEFORE 1-17-11)  |
|                 | 54372           | PANEL & DECAL, BCX MODELS (AFTER 1-17-11)  |
|                 | 54373           | PANEL & DECAL, BX MODELS (AFTER 1-17-11)   |
| 2               | 51372           | KNOB                                       |
|                 | 50986           | KNOB DECAL "PRESS TO ENTER"                |
| 3               | 39797           | MEAT PROBE 6"                              |
| 4               | 39781           | MEAT PROBE RECEPTACLE                      |
| 5               | 39782           | MEAT PROBE RECEPTACLE PLUG                 |

| <u>Ref. No.</u> | <u>Part No.</u> | <u>Description</u>                  |
|-----------------|-----------------|-------------------------------------|
| 6               | 39688           | CIRCUIT BREAKER                     |
| 7               | 36376           | HEAT CUTOFF SWITCH                  |
| 8               | R4413           | HANDLE                              |
| 9               | 39122           | 3 BUTTON CONTROLLER                 |
| 10              | 53499           | PROGRAMMED CONTROL - BCX14G         |
|                 | 53500           | PROGRAMMED CONTROL - BCX14E         |
|                 | 53501           | PROGRAMMED CONTROL - BX14G          |
|                 | 53502           | PROGRAMMED CONTROL - BX14E          |
| 11              | 50310           | CAVITY PROBE                        |
| 12              | 52647           | USB CABLE (AFTER 1-17-11 ONLY)      |
| 13              | 52161           | USB PORT COVER (AFTER 1-17-11 ONLY) |
| 14              | 53759           | REMOTE BUZZER (AFTER 1-17-11 ONLY)  |

# ELECTRICAL SYSTEM GAS OVENS WITH MANUAL CONTROLS

BCX/BX Models Before 9-15-2010

CNVX Models Before 12-27-2010



| Ref. No. | Part No. | Description                                    |
|----------|----------|--|
| 1        | 52946    | POWER SUPPLY, 24 VDC                           |
|          | M3166    | FUSE, POWER SUPPLY                             |
| 2        | 50816    | INVERTER DRIVE, 120 VOLT MODELS                |
|          | 50817    | INVERTER DRIVE, 208-240 VOLT MODELS            |
| 3        | R8015    | THERMOSTAT, COOLING FAN                        |
| 4        | 39998    | THERMISTOR, 5 OHM                              |
| 5        | 38303    | TRANSFORMER, 120-240 VOLT PRI. TO 24 VOLT SEC. |
| 6        | 39784    | MULTIFUNCTION TIMER, MOTOR REVERSING           |
| 7        | 39786    | 24 VOLT RELAY, BCX & BX MODELS ONLY            |
|          | 38604    | 24 VOLT RELAY, CNVX MODELS ONLY                |
| 8        | 20348    | IGNITION CONTROL                               |

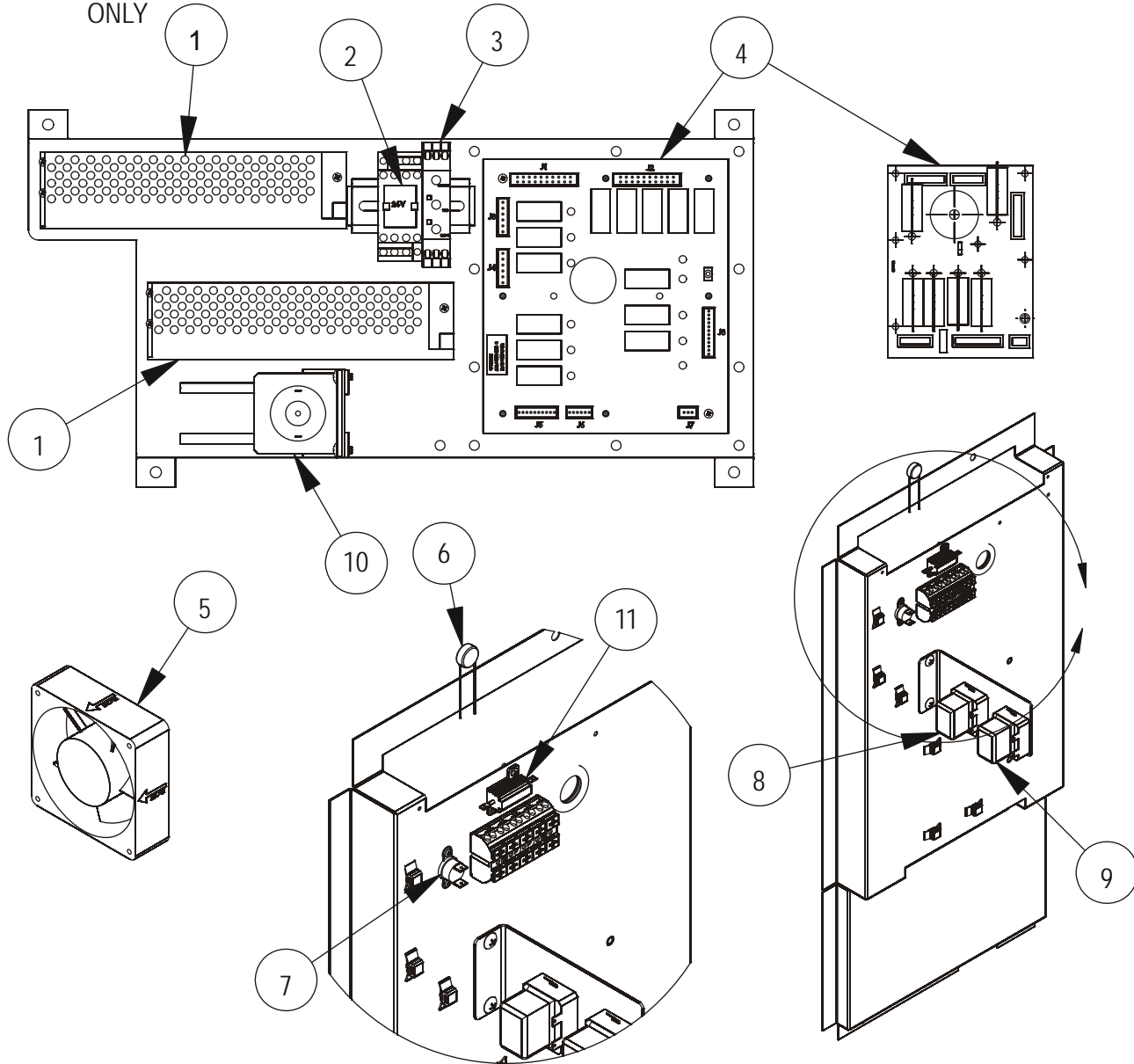
| Ref. No. | Part No. | Description  |
|----------|----------|--|
| 9        | 39672    | INTERFACE BOARD, BCX & BX MODELS ONLY                              |
|          | 50669    | RELAY BOARD, CNVX MODELS ONLY                                      |
| 10       | 36441    | CAVITY HIGH LIMIT THERMOSTAT (OPENS AT 671 DEG-F)                  |
| 11       | R2630    | BOILER HIGH LIMIT THERMOSTAT, BCX MODELS ONLY (OPENS AT 248 DEG-F) |
| 12       | 52947    | COOLING FAN, 24 VDC  |
| 13       | 50321    | PUMP, 24VDC BCX MODELS ONLY  |
|          | 54001    | PUMP CARTRIDGE   |
| 14       | 53948    | RESISTOR, LIGHT (FOR MODELS WITH 3 CAVITY LIGHTS ONLY)             |

# ELECTRICAL SYSTEM ELECTRIC OVENS WITH MANUAL CONTROLS

BCX/BX Models Before 9-15-2010

CNVX Models Before 12-27-2010

BCX & BX MODELS  
ONLY



| <u>Ref. No.</u> | <u>Part No.</u> | <u>Description</u>                    |
|-----------------|-----------------|---------------------------------------|
| 1               | 52946           | POWER SUPPLY, 24 VDC                  |
|                 | M3166           | FUSE, POWER SUPPLY                    |
| 2               | 39786           | 24 VOLT RELAY                         |
| 3               | 39784           | MULTIFUNCTION TIMER, MOTOR REVERSING  |
| 4               | 39672           | INTERFACE BOARD, BCX & BX MODELS ONLY |
|                 | 39130           | RELAY BOARD, CNVX MODELS ONLY         |
| 5               | 52947           | COOLING FAN, 24 VDC                   |

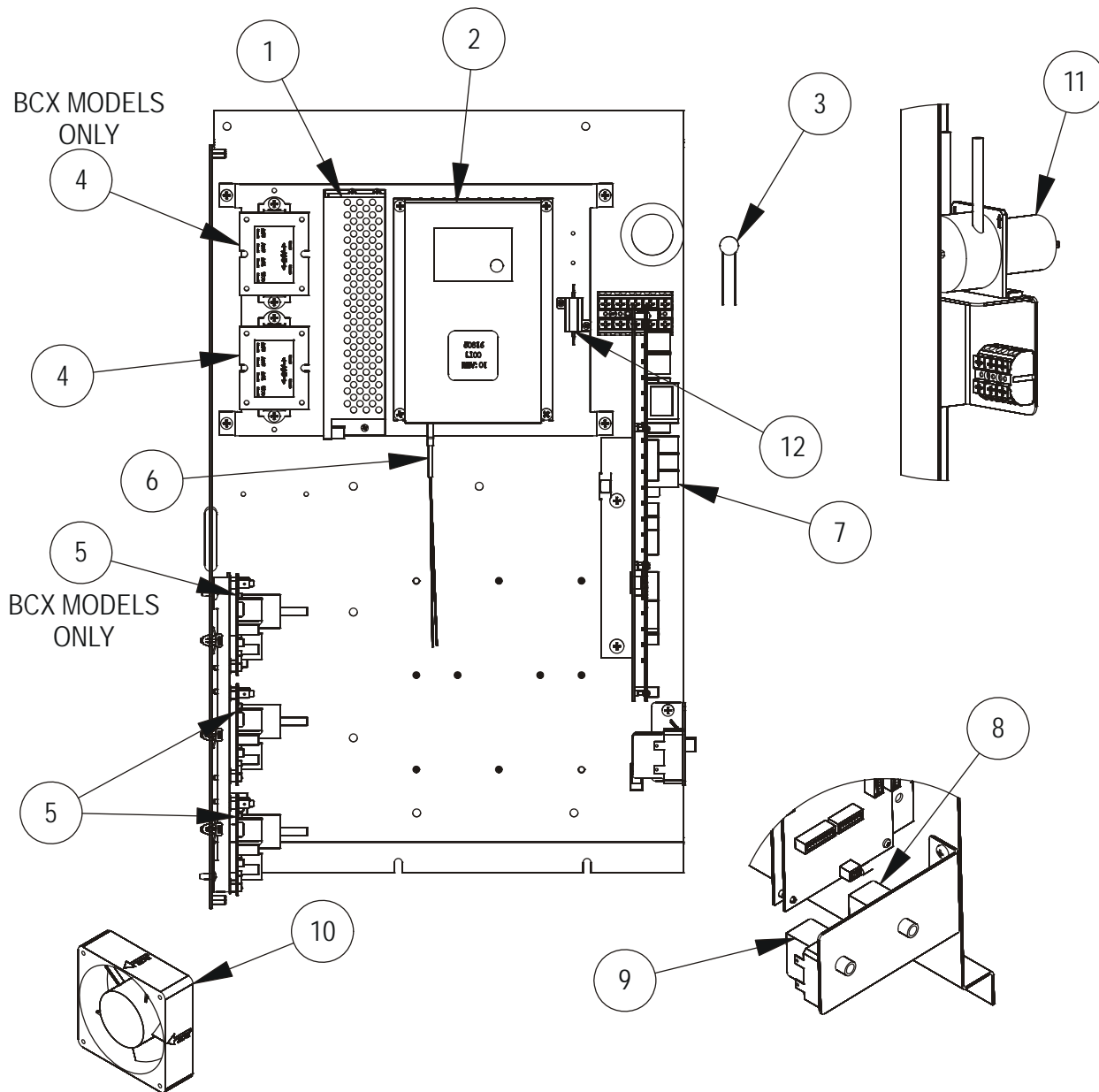
| <u>Ref. No.</u> | <u>Part No.</u> | <u>Description</u>   |
|-----------------|-----------------|--|
| 6               | 39998           | THERMISTOR, 5 OHM  |
| 7               | R8015           | THERMOSTAT, COOLING FAN  |
| 8               | 36441           | CAVITY HIGH LIMIT THERMOSTAT (OPENS AT 671 DEG-F)                  |
| 9               | R2630           | BOILER HIGH LIMIT THERMOSTAT, BCX MODELS ONLY (OPENS AT 248 DEG-F) |
| 10              | 50321           | PUMP 24VDC, BCX MODELS ONLY  |
|                 | 54001           | PUMP CARTRIDGE   |
| 11              | 53948           | RESISTOR, LIGHT (FOR MODELS WITH 3 CAVITY LIGHTS ONLY)             |

# ELECTRICAL SYSTEM

## GAS OVENS WITH MENSELECT AND MANUAL CONTROLS

BCX/BX Manual Control Models After 9-15-2010

CNVX Manual Control Models After 12-27-2010



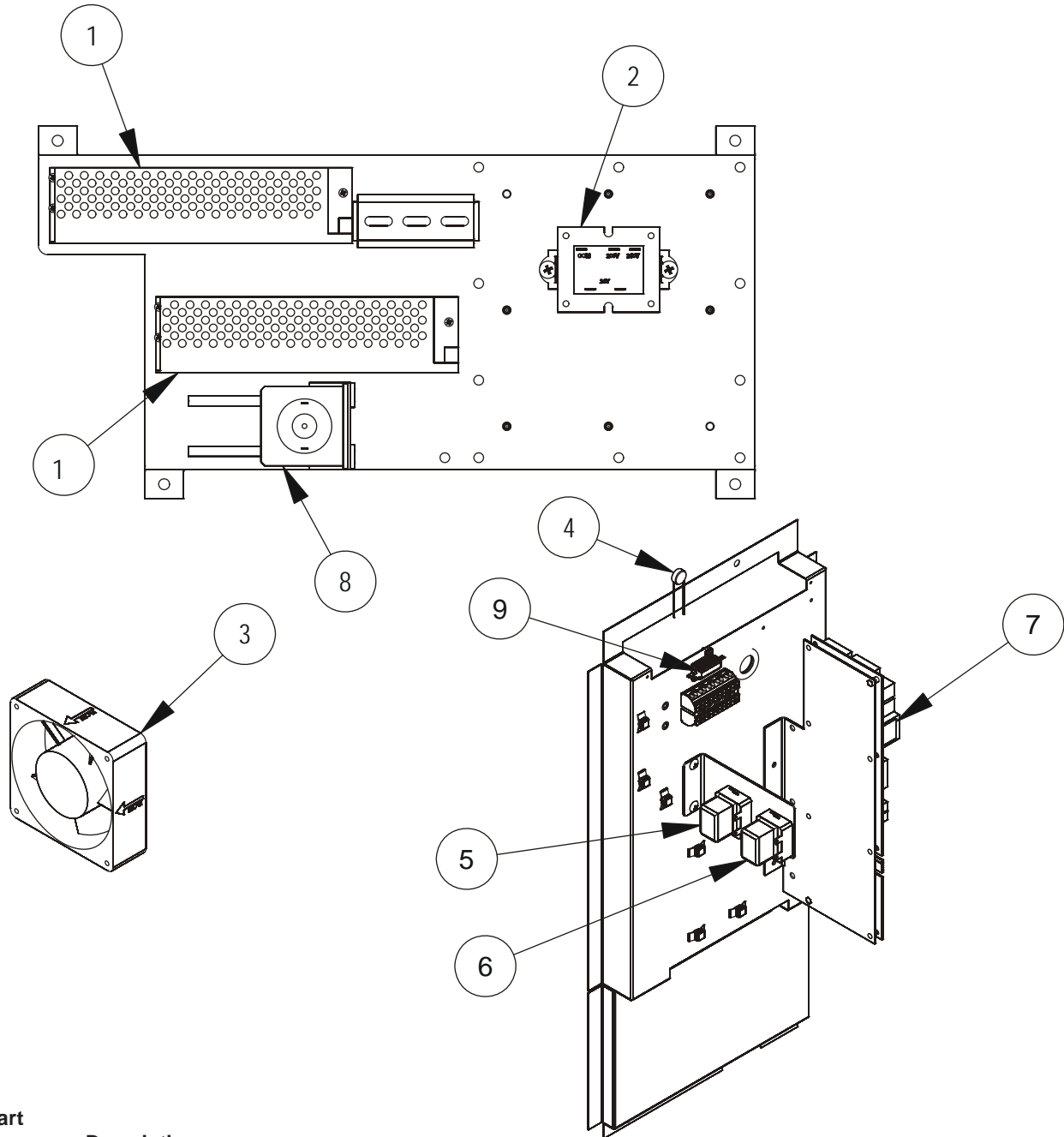
| <u>Ref. No.</u> | <u>Part No.</u> | <u>Description</u>                             | <u>Ref. No.</u> | <u>Part No.</u> | <u>Description</u>   |
|-----------------|-----------------|--|-----------------|-----------------|--|
| 1               | 52946           | POWER SUPPLY, 24 VDC                           | 7               | 54380           | I/O BOARD  |
|                 | M3166           | FUSE, POWER SUPPLY                             | 8               | 36441           | CAVITY HIGH LIMIT THERMOSTAT (OPENS AT 671 DEG-F)                  |
| 2               | 51502           | INVERTER DRIVE, 120 VOLT MODELS                | 9               | R2630           | BOILER HIGH LIMIT THERMOSTAT, BCX MODELS ONLY (OPENS AT 248 DEG-F) |
|                 | 51503           | INVERTER DRIVE, 208-240 VOLT MODELS            | 10              | 52947           | COOLING FAN, 24 VDC  |
| 3               | 39998           | THERMISTOR, 5 OHM                              | 11              | 50321           | PUMP 24VDC BCX MODELS ONLY   |
| 4               | 38303           | TRANSFORMER, 120-240 VOLT PRI. TO 24 VOLT SEC. |                 | 54001           | PUMP CARTRIDGE   |
| 5               | 20348           | IGNITION CONTROL                               | 12              | 53948           | RESISTOR, LIGHT (FOR MODELS WITH 3 CAVITY LIGHTS ONLY)             |
| 6               | 51516           | INVERTER PROBE                                 |                 |                 |  |

# ELECTRICAL SYSTEM

## ELECTRIC OVENS WITH MENUSELECT AND MANUAL CONTROLS

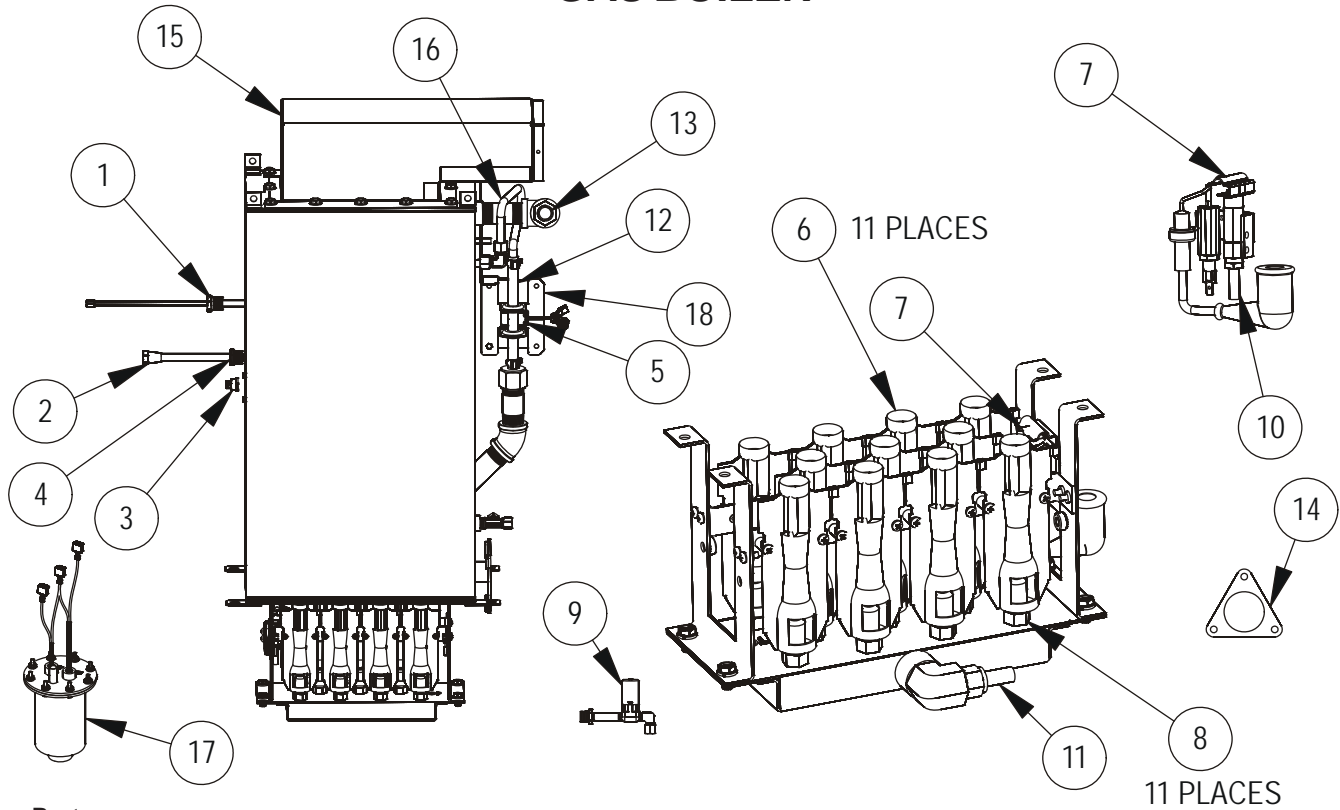
BCX/BX Manual Control Models After 9-15-2010

CNVX Manual Control Models After 12-27-2010



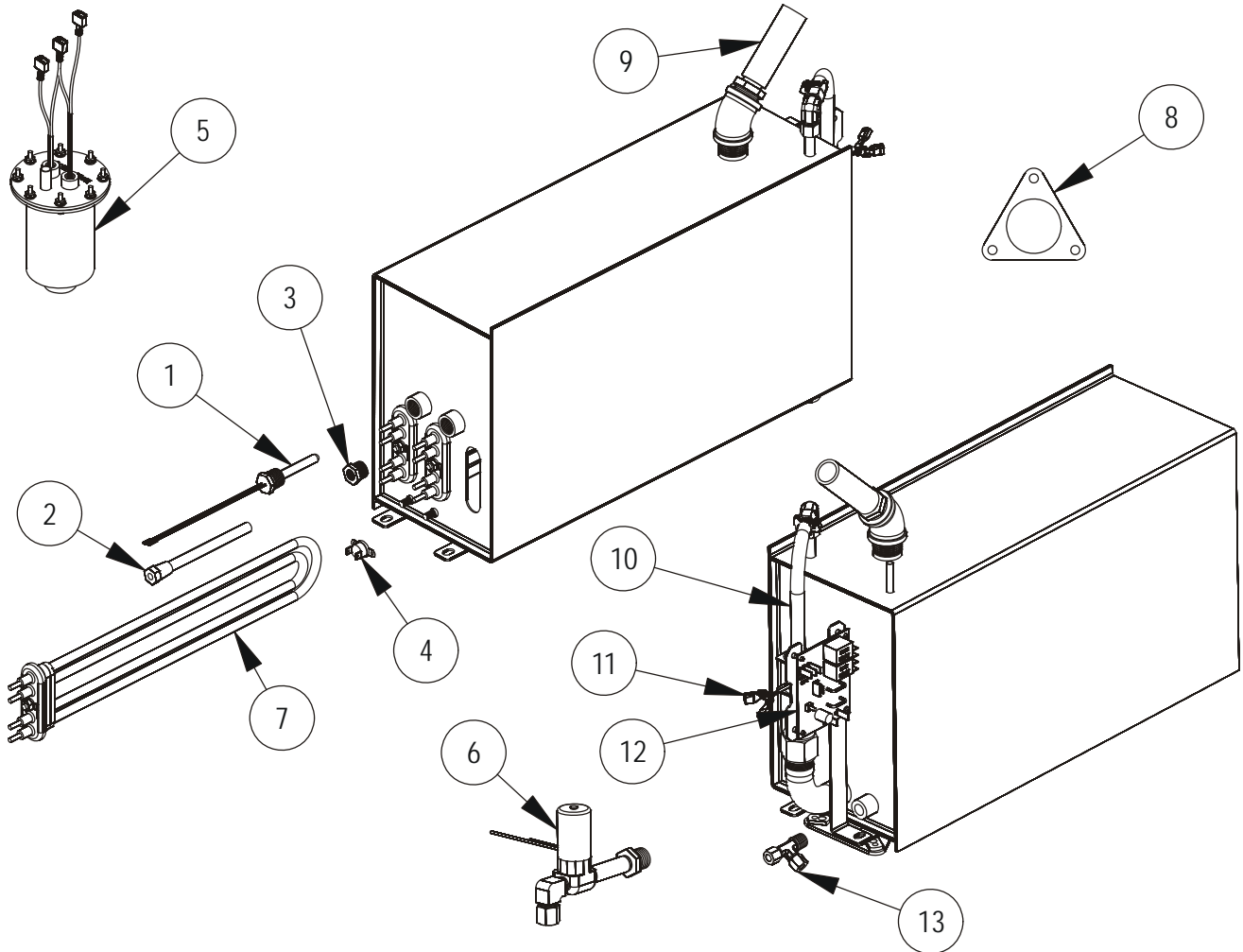
| Ref. No. | Part No. | Description  |
|----------|----------|--|
| 1        | 52946    | POWER SUPPLY, 24 VDC   |
|          | M3166    | FUSE, POWER SUPPLY   |
| 2        | 52948    | TRANSFORMER, 208-240 VOLT PRI. TO 24 VOLT SEC.                     |
| 3        | 52947    | COOLING FAN, 24 VDC  |
| 4        | 39998    | THERMISTOR, 5 OHM  |
| 5        | 36441    | CAVITY HIGH LIMIT THERMOSTAT (OPENS AT 671 DEG-F)                  |
| 6        | R2630    | BOILER HIGH LIMIT THERMOSTAT, BCX MODELS ONLY (OPENS AT 248 DEG-F) |
| 7        | 54380    | INTERFACE BOARD  |
| 8        | 50321    | PUMP 24VDC, BCX MODELS ONLY  |
|          | 54001    | PUMP CARTRIDGE   |
| 9        | 53948    | RESISTOR, LIGHT (FOR MODELS WITH 3 CAVITY LIGHTS ONLY)             |

# GAS BOILER



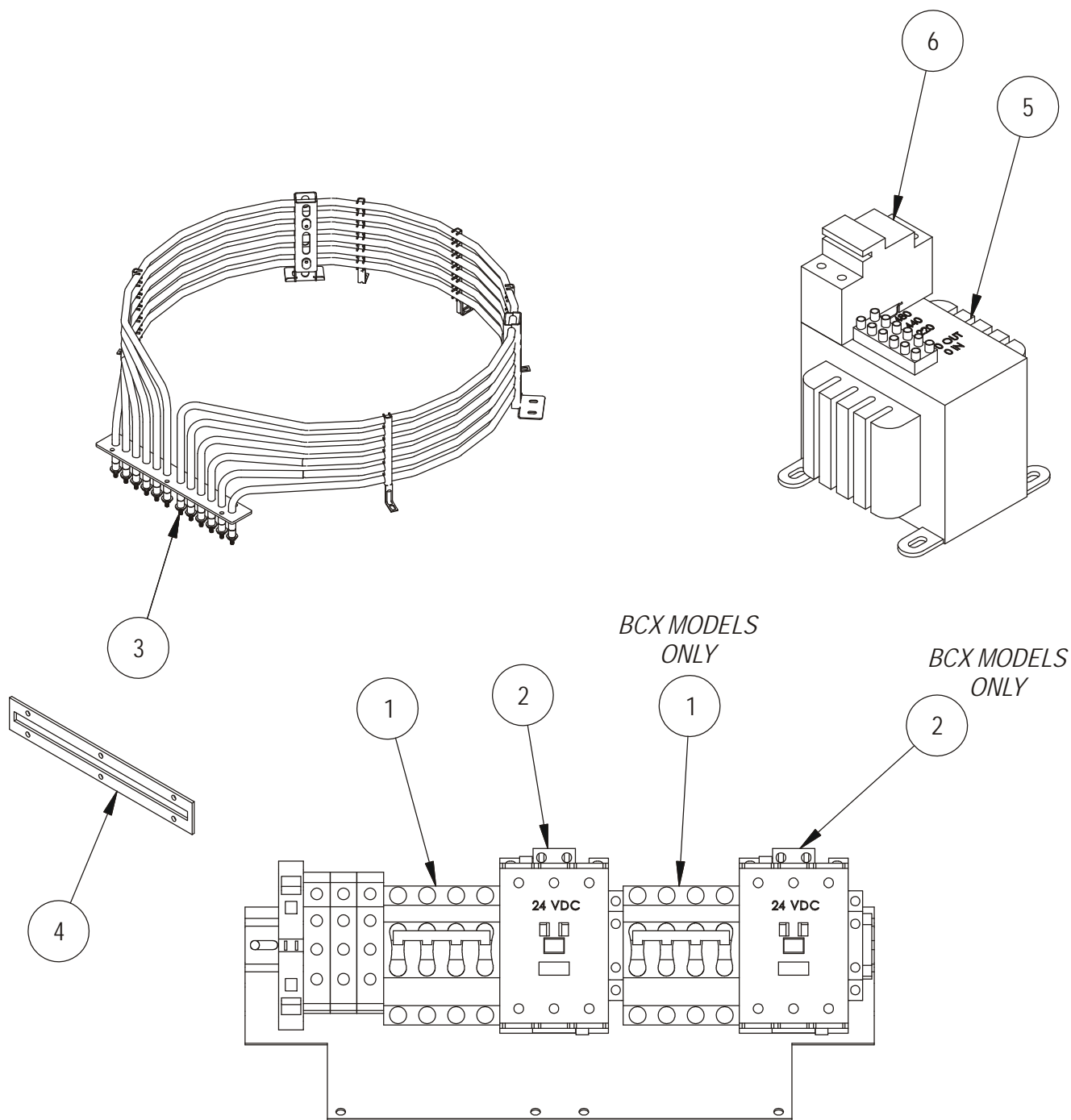
| Ref. No. | Part No. | Description   |
|----------|----------|---|
| 1        | 39682    | SWITCH, "STEAM READY" MANUAL CONTROL MODELS BEFORE 9-15-10                                  |
|          | 39800    | PROBE, "STEAM READY" MENSELECT MODELS OR MANUAL CONTROL MODELS AFTER 9-15-10                |
| 2        | R8071    | PROBE HOLDER  |
| 3        | R8012    | THERMOSTAT, MANUAL CONTROL MODELS BEFORE 9-15-10 ONLY                                       |
| 4        | R10627   | PROBE HOLDER BUSHING  |
| 5        | 54048    | WATER SENSOR (AFTER 2-17-11)  |
| 6        | R4287    | INSHOT BURNER   |
| 7        | R8939    | PILOT ASSEMBLY, NATURAL GAS   |
|          | R8830    | PILOT ASSEMBLY, PROPANE GAS   |
| 8        | R11157   | ORIFICE, #58 NATURAL GAS  |
|          | R8933    | ORIFICE, #71 PROPANE GAS  |
| 9        | 39793    | SOLENOID, WATER (ALL EXCEPT MANUAL CONTROL BEFORE 9-15-10) ON BOILER OR WATER INLET         |
| 10       | 52955    | FLEX TUBE W/FITTINGS, 1/4 OD x 30" LONG   |
| 11       | 50256    | GAS SUPPLY TUBE   |
| 12       | 52753    | HOSE, HIGH-TEMP SILICONE (BY THE FOOT)  |
|          | 54155    | CLAMP, HOSE SNAP-LOCK   |
| 13       | R7406    | STEAM OUTLET HOSE, 3/4" ID (BY THE FOOT)  |
| 14       | R10252   | DRAIN GASKET  |
| 15       | R10898   | FLUE ASSEMBLY   |
|          | 38660    | ROPE GASKET (BY THE FOOT)   |
| 16       | 54045    | TRAP TUBE   |
| 17       | 50283    | FLOAT ASSEMBLY  |
| 18       | 53247    | WATER SENSOR CONTROL BOARD  |
|          | R8928    | BURNER ASSY, NATURAL GAS (INCLUDES ITEMS 6, 7, & 8)   |
|          | R8932    | BURNER ASSY, PROPANE GAS (INCLUDES ITEMS 6, 7, & 8)   |
|          | 54159    | MECHANICAL FLOAT TO SENSOR UPGRADE KIT, MANUAL CONTROLS BEFORE 9-15-10                      |
|          | 54160    | MECHANICAL FLOAT TO SENSOR UPGRADE KIT, MENSELECT CONTROLS OR MANUAL CONTROLS AFTER 9-15-10 |
|          | 53296    | BOILER SHELL W/INSULATION ONLY  |
|          | 39274    | COMPLETE BOILER ASSY, NATURAL GAS MANUAL CONTROLS BEFORE 9-15-10                            |
|          | 39810    | COMPLETE BOILER ASSY, PROPANE GAS MANUAL CONTROLS BEFORE 9-15-10                            |
|          | 53174    | COMPLETE BOILER ASSY, NATURAL GAS MENSELECT CONTROLS OR MANUAL CONTROLS AFTER 9-15-10       |
|          | 53175    | COMPLETE BOILER ASSY, PROPANE GAS MENSELECT CONTROLS OR MANUAL CONTROLS AFTER 9-15-10       |

# ELECTRIC BOILER



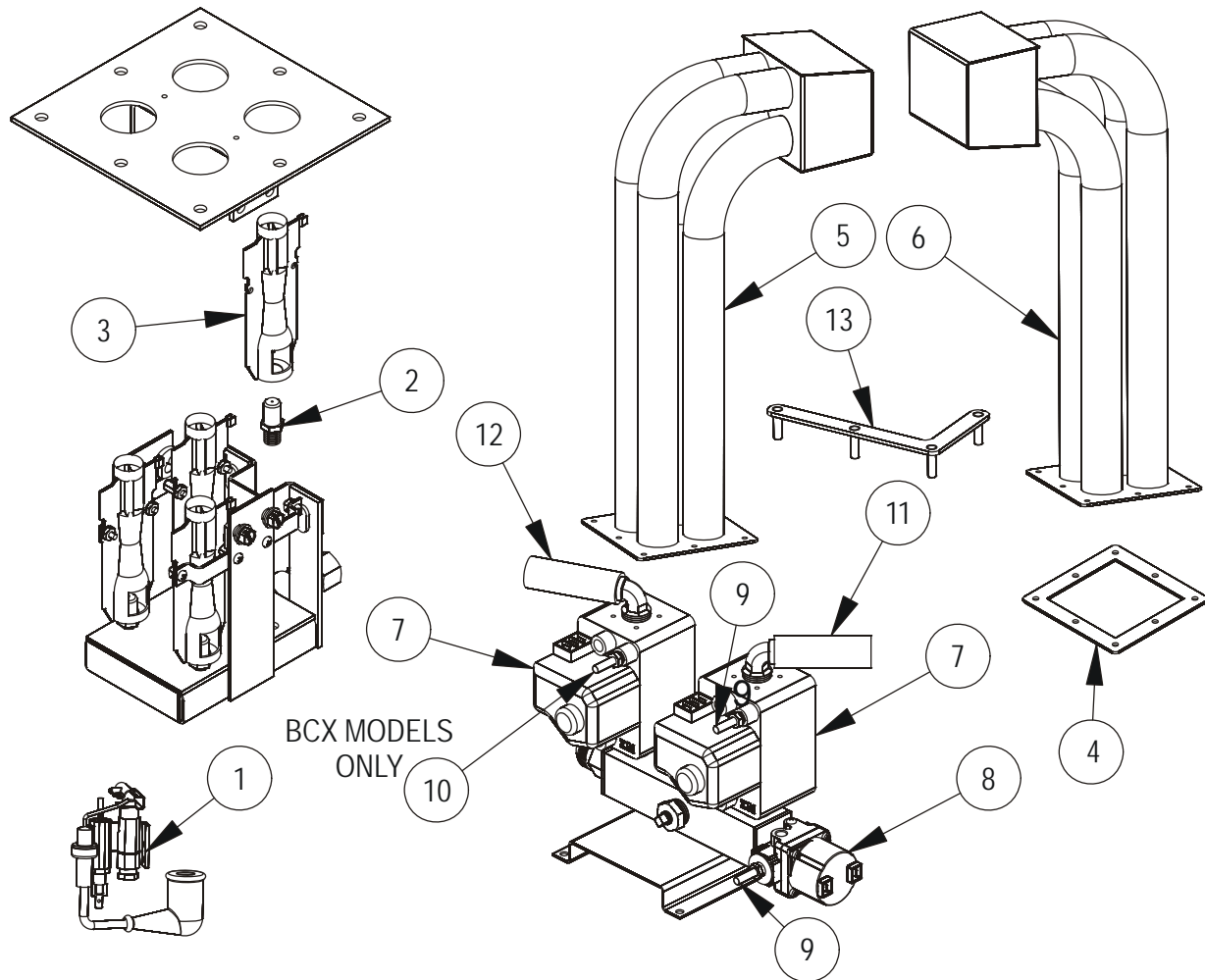
| <u>Ref. No.</u> | <u>Part No.</u> | <u>Description</u>   |
|-----------------|-----------------|--|
| 1               | 39682           | SWITCH, "STEAM READY" MANUAL CONTROL MODELS BEFORE 9-15-10                                   |
|                 | 39800           | PROBE, "STEAM READY" MENSELECT MODELS OR MANUAL CONTROL MODELS AFTER 9-15-10                 |
| 2               | R8071           | PROBE HOLDER   |
| 3               | R10627          | PROBE HOLDER BUSHING   |
| 4               | R8012           | THERMOSTAT, MANUAL CONTROL MODELS BEFORE 9-15-10 ONLY  |
| 5               | 50283           | FLOAT SWITCH ASSEMBLY  |
| 6               | 39793           | SOLENOID, WATER (ALL EXCEPT MANUAL CONTROL BEFORE 9-15-10) ON BOILER OR WATER INLET          |
| 7               | R2768           | STEAM ELEMENT, 208 VOLT  |
|                 | R2771           | STEAM ELEMENT, 240 VOLT  |
|                 | R2770           | STEAM ELEMENT, 480 VOLT  |
| 8               | R10252          | DRAIN GASKET   |
| 9               | R7406           | STEAM OUTLET HOSE, 3/4" ID (BY THE FOOT)   |
| 10              | 52753           | HOSE, HIGH-TEMP SILICONE (BY THE FOOT)   |
|                 | 54155           | CLAMP, HOSE SNAP-LOCK  |
| 11              | 54048           | WATER SENSOR (AFTER 2-17-11)   |
| 12              | 53247           | WATER SENSOR CONTROL BOARD   |
| 13              | 39808           | FITTING, TEE 1/4" NPT X 1/4" COMPRESSION   |
|                 | 54156           | MECHANICAL FLOAT TO SENSOR UPGRADE KIT, MANUAL CONTROLS BEFORE 9-15-10                       |
|                 | 54157           | MECHANICAL FLOAT TO SENSOR UPGRADE KIT, MENSELECT CONTROLS OR MANUAL CONTROLS AFTER 9-15-11  |
|                 | 53295           | BOILER SHELL W/INSULATION ONLY   |
|                 | 50094           | COMPLETE BOILER ASSY, (WITHOUT ELEMENTS) MANUAL CONTROLS BEFORE 9-15-10                      |
|                 | 52050           | COMPLETE BOILER ASSY, (WITHOUT ELEMENTS) MENSELECT CONTROLS OR MANUAL CONTROLS AFTER 9-15-10 |
|                 | 53550           | ELEMENT DRIP PAN KIT   |

# HOT AIR & HI-VOLT ELECTRIC MODELS



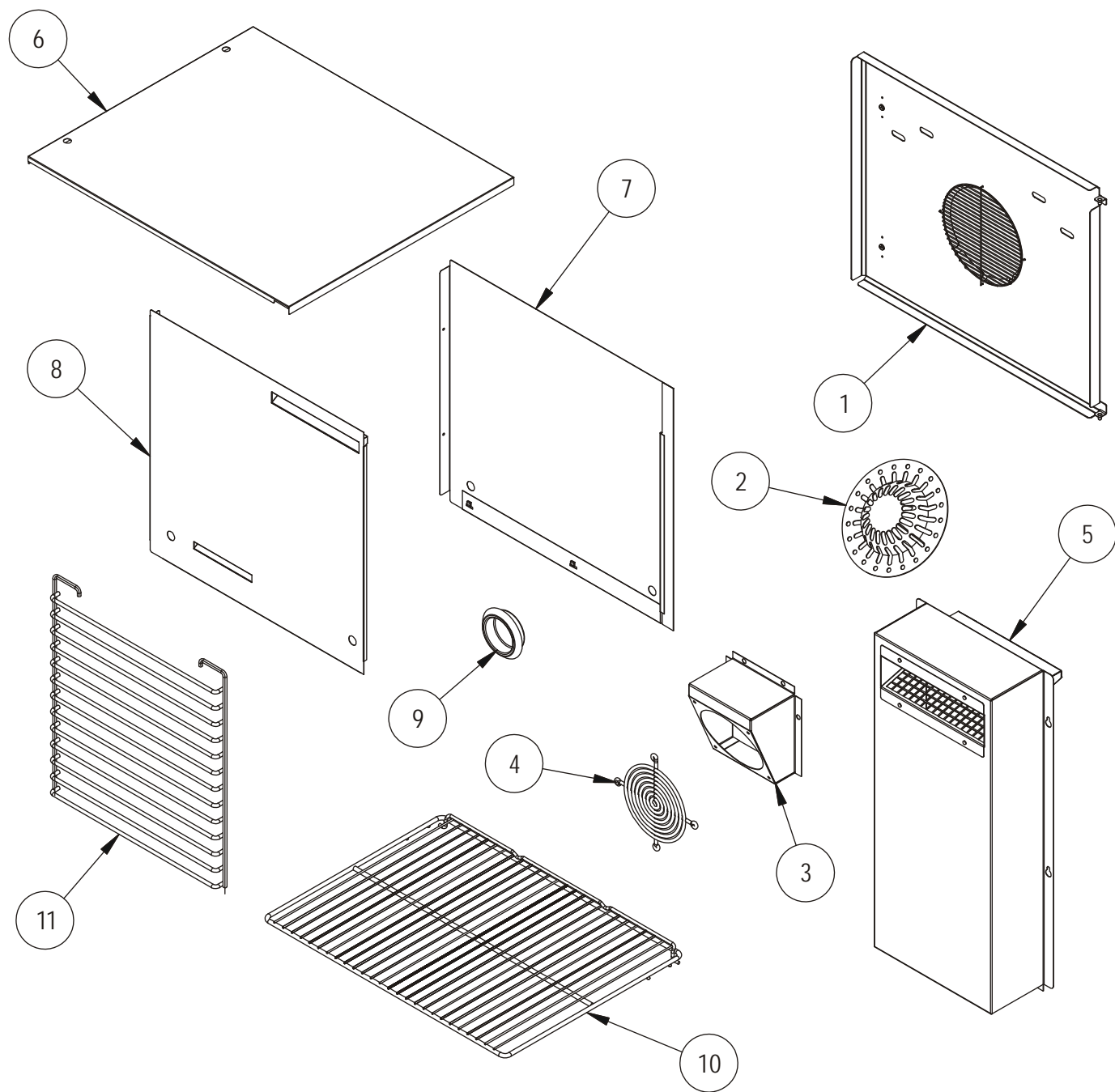
| <u>Ref. No.</u> | <u>Part No.</u> | <u>Description</u>                                |
|-----------------|-----------------|---|
| 1               | 39804           | CIRCUIT BREAKER 60 AMP, 208-240 VOLT MODELS ONLY  |
|                 | 39113           | CIRCUIT BREAKER 32 AMP, 480 VOLT MODELS ONLY      |
| 2               | 50096           | CONTACTOR   |
| 3               | 51543           | ELEMENT ASSEMBLY W/GASKET, 208 VOLT MODELS        |
|                 | 51544           | ELEMENT ASSEMBLY W/GASKET, 240 OR 480 VOLT MODELS |
| 4               | 39367           | ELEMENT GASKET                                    |
| 5               | 51458           | 480 VOLT STEP DOWN TRANSFORMER                    |
| 6               | 51455           | FUSE, 7A  |

# HOT AIR & GAS VALVES GAS MODELS



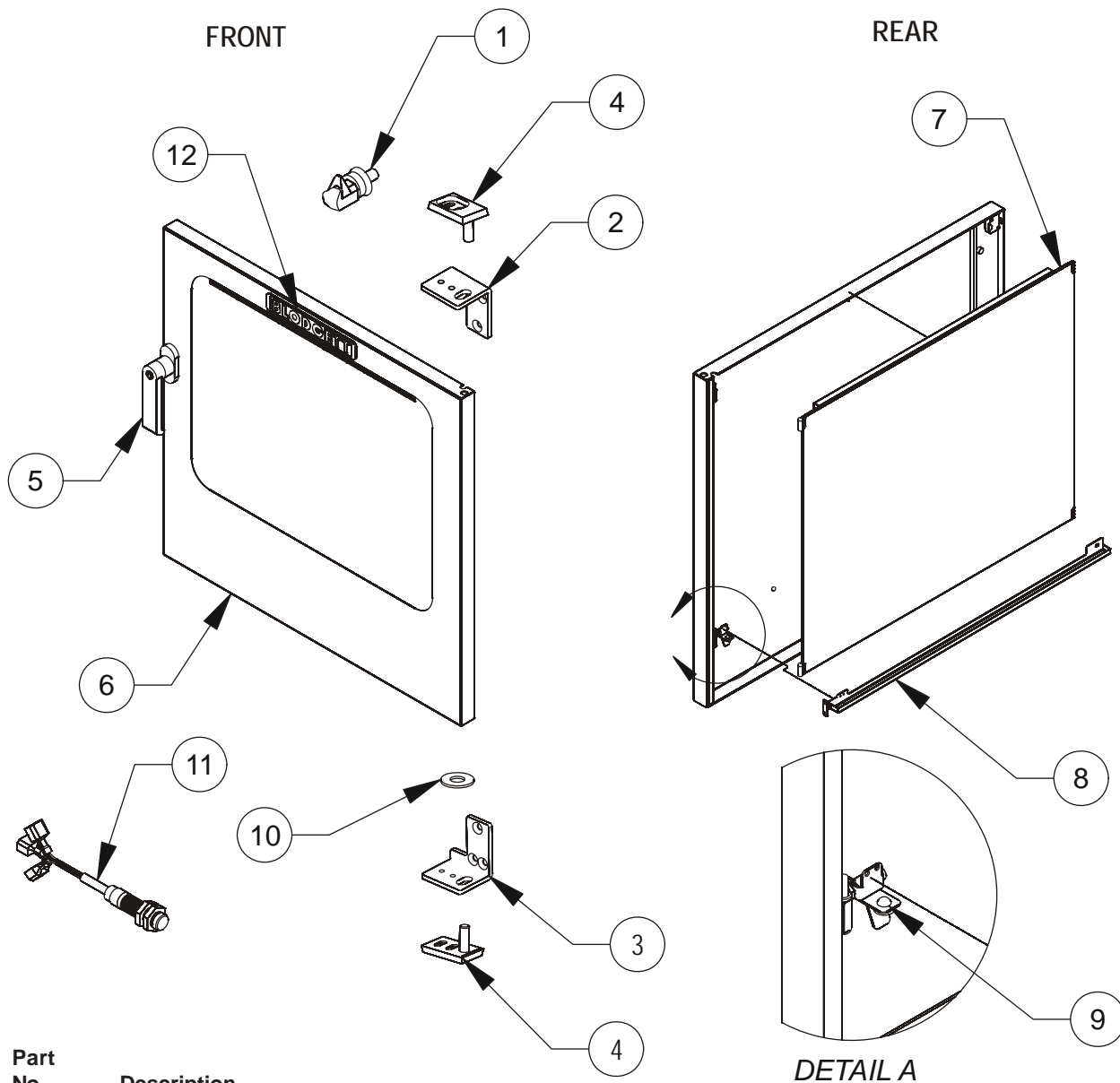
| Ref. No. | Part No. | Description  |
|----------|----------|--|
| 1        | R9214    | PILOT ASSEMBLY, HOT AIR NATURAL GAS  |
|          | R9258    | PILOT ASSEMBLY, HOT AIR PROPANE GAS  |
| 2        | R8973    | ORIFICE, NATURAL GAS 1.35MM  |
|          | R8974    | ORIFICE, PROPANE GAS #67   |
| 3        | R4287    | INSHOT BURNER  |
| 4        | R10516   | HEAT EXCHANGER GASKET  |
| 5        | 52950    | LH HEAT EXCHANGER W/HDWE & BRACKETS, BCX, & CNVX MODELS WITH MANUAL CONTROLS           |
|          | 52950    | LH HEAT EXCHANGER W/HDWE & BRACKETS, BCX MODELS WITH MENSELECT CONTROLS AFTER 3-23-10  |
|          | 52953    | LH HEAT EXCHANGER W/HDWE & BRACKETS, BX MODELS   |
|          | 52953    | LH HEAT EXCHANGER W/HDWE & BRACKETS, BCX MODELS WITH MENSELECT CONTROLS BEFORE 3-23-10 |
| 6        | 52951    | RH HEAT EXCHANGER W/HDWE & BRACKETS, BCX, & CNVX MODELS WITH MANUAL CONTROLS           |
|          | 52951    | RH HEAT EXCHANGER W/HDWE & BRACKETS, BCX MODELS WITH MENSELECT CONTROLS AFTER 3-23-10  |
|          | 52954    | RH HEAT EXCHANGER W/HDWE & BRACKETS, BX MODELS   |
|          | 52954    | RH HEAT EXCHANGER W/HDWE & BRACKETS, BCX MODELS WITH MENSELECT CONTROLS BEFORE 3-23-10 |
| 7        | 30005    | VALVE, 24 VOLT NATURAL GAS   |
|          | 30006    | VALVE, 24 VOLT PROPANE GAS   |
| 8        | R6490    | PILOT VALVE, 25 VOLT   |
| 9        | 52952    | FLEX TUBE & FITTINGS, 1/4" OD X 48" LONG   |
| 10       | 52955    | FLEX TUBE & FITTINGS, 1/4" OD X 30" LONG   |
| 11       | 50257    | GAS SUPPLY TUBE  |
| 12       | 50256    | GAS SUPPLY TUBE  |
| 13       | R10982   | HEAT EXCHANGER BRACKET   |
|          | 52949    | HEAT EXCHANGER HARDWARE, GASKET, AND BRACKET KIT (FOR 1 HEAT EXCHANGER)                |

# INTERIOR & EXTERIOR PARTS



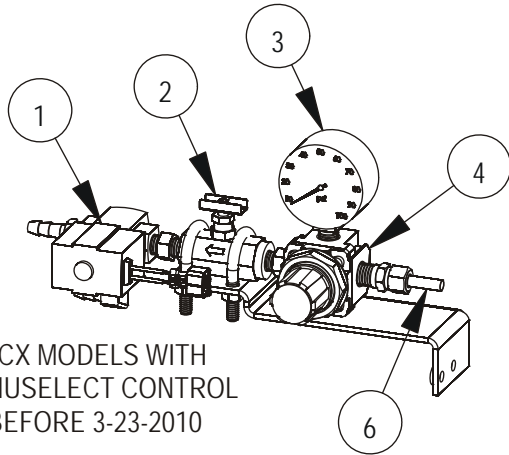
| Ref. No. | Part No. | Description                  |
|----------|----------|------------------------------|
| 1        | 50452    | BAFFLE ASSEMBLY              |
| 2        | 50506    | DRAIN COVER                  |
| 3        | 39588    | FAN HOUSING                  |
| 4        | M0571    | FAN GUARD                    |
| 5        | 52960    | MOTOR VENT ASSEMBLY          |
| 6        | 39199    | BODY TOP                     |
| 7        | 39200    | BODYSIDE, RH                 |
| 8        | 51381    | BODYSIDE, LH ELECTRIC MODELS |
|          | 51325    | BODYSIDE, LH GAS MODELS      |
| 9        | 50926    | RECESSED PLUG                |
| 10       | R3664    | WIRE RACK                    |
| 11       | 54562    | RACK SUPPORT - SET OF 2      |

# DOOR & RELATED PARTS

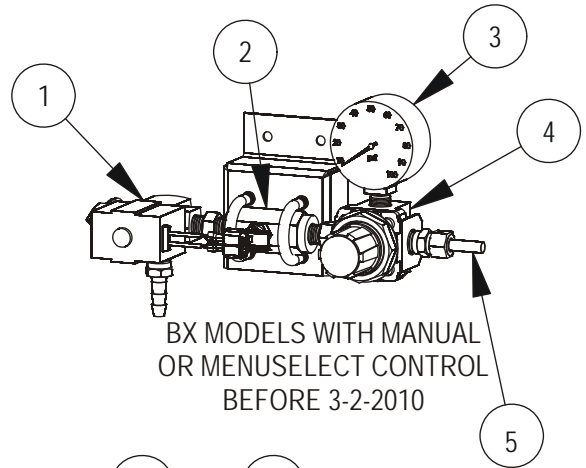


| <u>Ref. No.</u> | <u>Part No.</u> | <u>Description</u>              |
|-----------------|-----------------|---------------------------------|
| 1               | D0022           | BODY LATCH                      |
| 2               | 50194           | UPPER DOOR HINGE                |
| 3               | 50195           | LOWER DOOR HINGE                |
| 4               | R6220           | DOOR PIN                        |
| 5               | D0021           | DOOR HANDLE                     |
| 6               | 50887           | DOOR ASSY, OUTER                |
| 7               | 50888           | DOOR ASSY, INNER                |
| 8               | 50889           | DRIP PAN                        |
|                 | 39579           | DOOR GASKET                     |
| 9               | 39893           | DRIP PAN PLUG                   |
| 10              | 39909           | TEFLON WASHER                   |
| 11              | 54273           | DOOR SENSOR KIT                 |
|                 | 54228           | DOOR SENSOR ACTIVATOR (ON DOOR) |
| 12              | 16470           | NAMEPLATE, BLODGETT             |

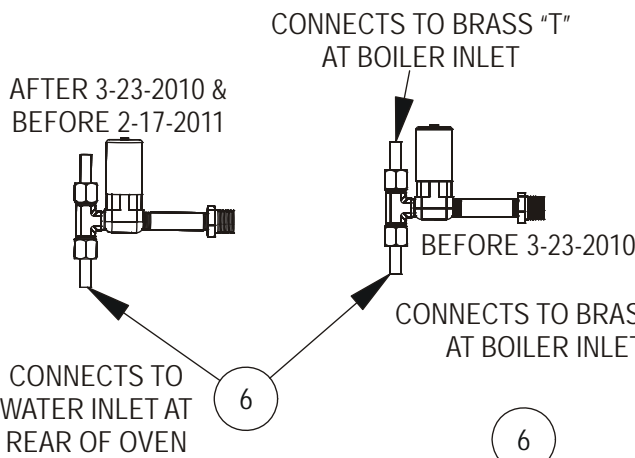
# WATER SYSTEM



BCX MODELS WITH  
MENUSELECT CONTROL  
BEFORE 3-23-2010



BX MODELS WITH MANUAL  
OR MENUSELECT CONTROL  
BEFORE 3-2-2010

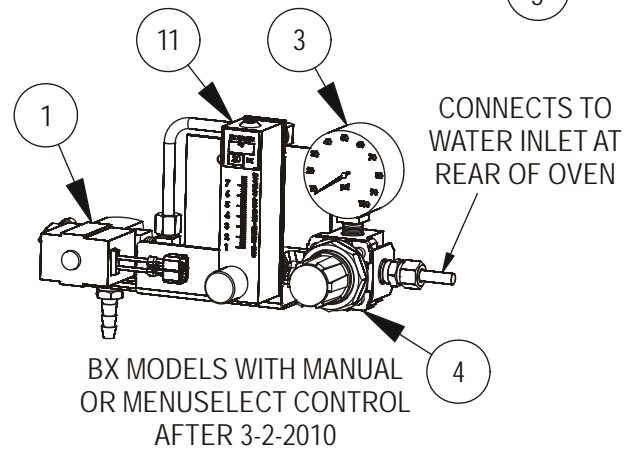


AFTER 3-23-2010 &  
BEFORE 2-17-2011

CONNECTS TO BRASS "T"  
AT BOILER INLET

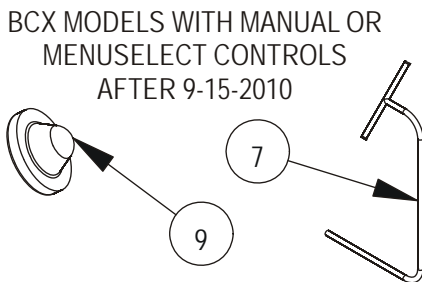
CONNECTS TO BRASS "T"  
AT BOILER INLET

CONNECTS TO  
WATER INLET AT  
REAR OF OVEN

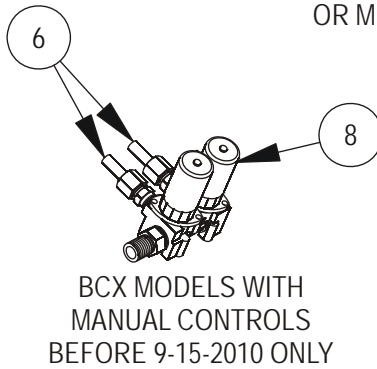


BX MODELS WITH MANUAL  
OR MENUSELECT CONTROL  
AFTER 3-2-2010

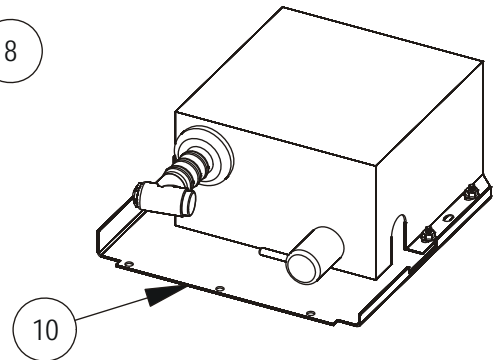
CONNECTS TO  
WATER INLET AT  
REAR OF OVEN



BCX MODELS WITH MANUAL OR  
MENUSELECT CONTROLS  
AFTER 9-15-2010

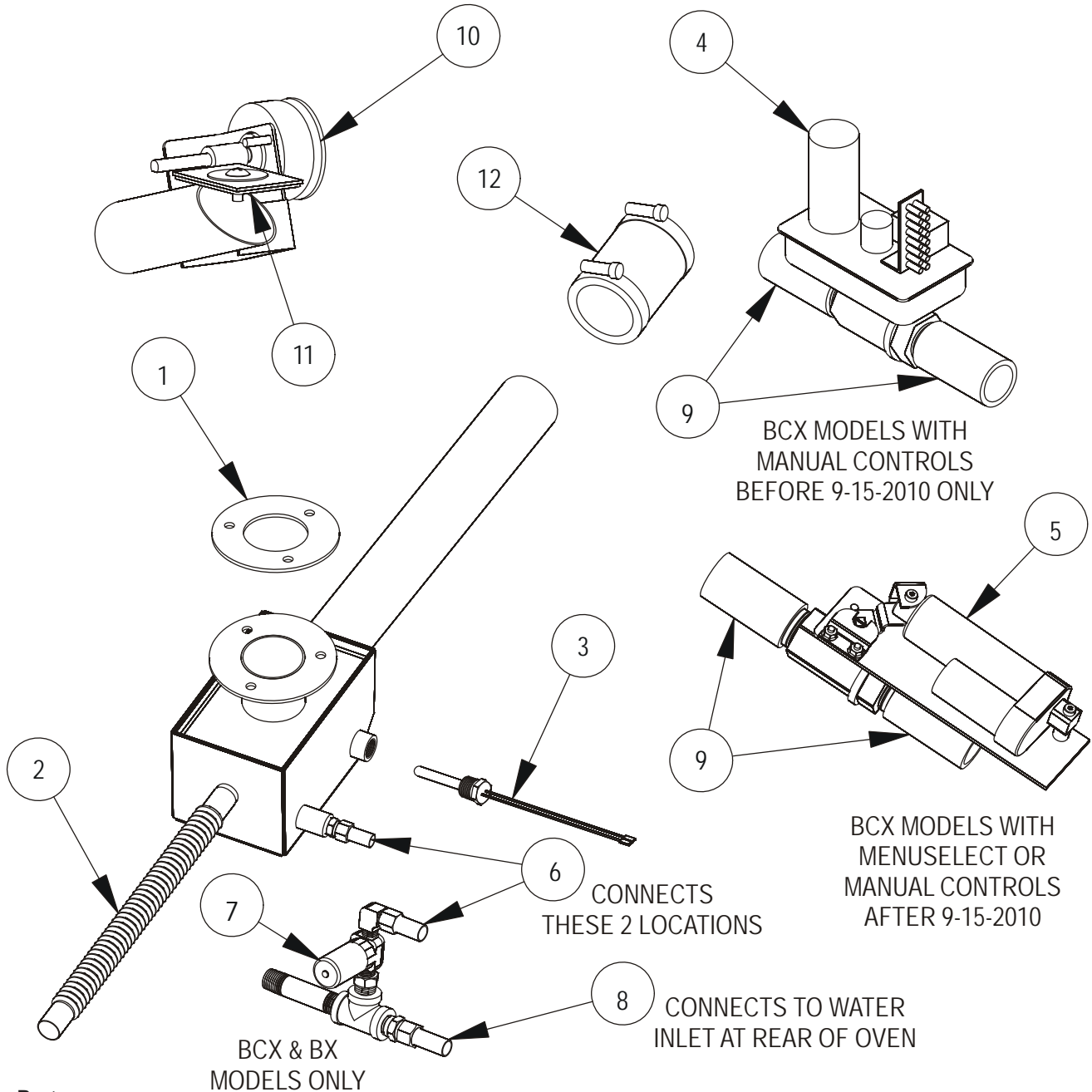


BCX MODELS WITH  
MANUAL CONTROLS  
BEFORE 9-15-2010 ONLY



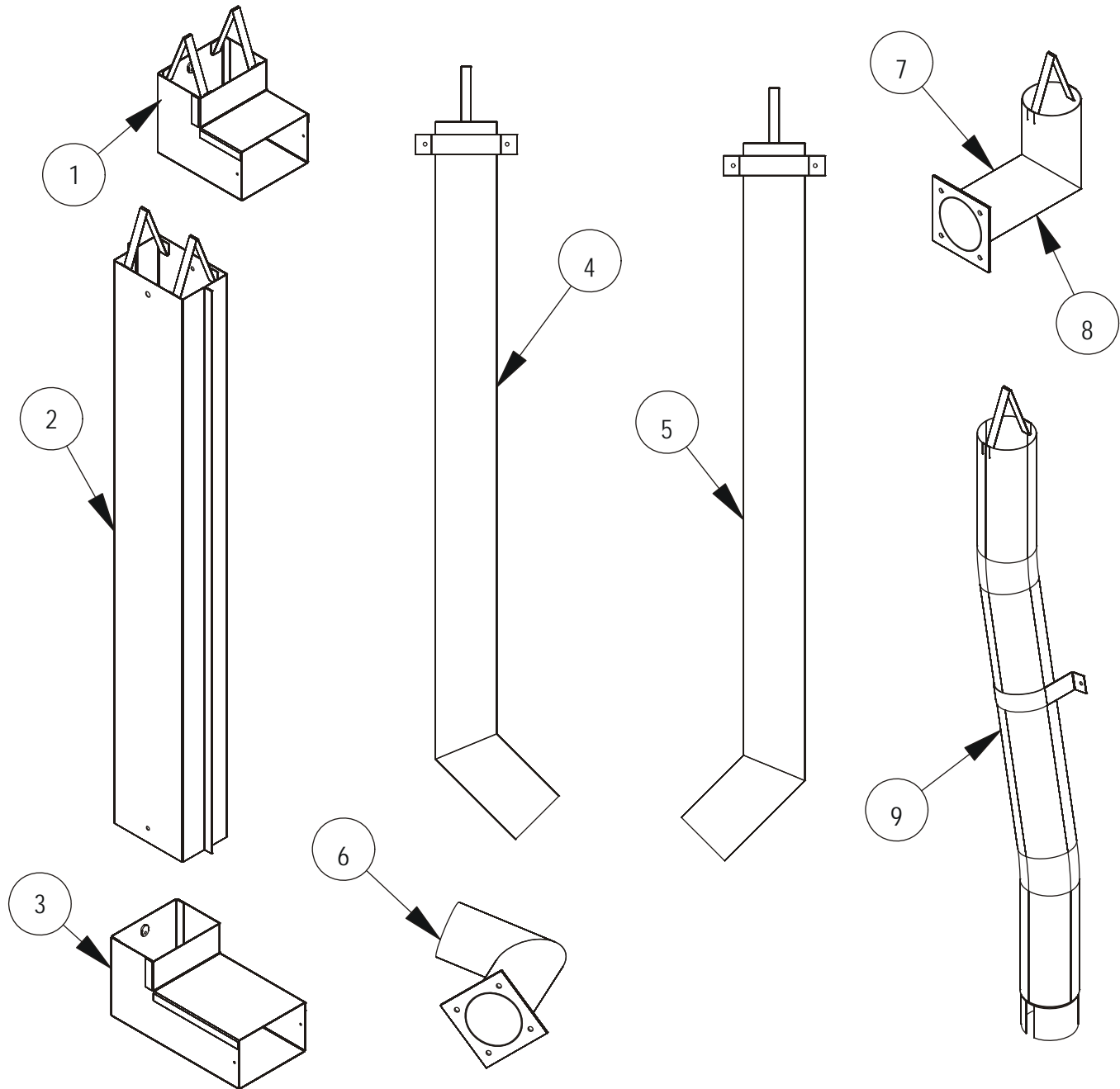
| Ref. No. | Part No. | Description                               |
|----------|----------|---|
| 1        | 50643    | SOLENOID, 3 PORT                          |
| 2        | 50656    | NEEDLE VALVE                              |
| 3        | 18411    | PRESSURE GAUGE                            |
| 4        | 50657    | PRESSURE REGULATOR, 0-100 PSI             |
|          | 51128    | REGULATOR ASSEMBLY (INCLUDES ITEMS 3 & 4) |
| 5        | 52955    | FLEX TUBE W/FITTINGS, 1/4" OD X 30" LONG  |
| 6        | 52956    | FLEX TUBE W/FITTINGS, 1/4" OD X 12" LONG  |
| 7        | 52957    | WATER INJECTION TUBE W/FITTING            |
| 8        | 39796    | SOLENOID, WATER DUAL 24 VOLT              |
| 9        | 50261    | HOSE FILTER                               |
| 10       | 39462    | HOSE REEL ASSEMBLY                        |
|          | R8179    | GROMMET, HOSE REEL                        |
| 11       | 53115    | FLOWMETER, 0-7 GPH                        |
|          | 53426    | NEEDLE VALVE TO FLOW METER UPGRADE KIT    |

### DRAIN & RAPID VENT SYSTEMS



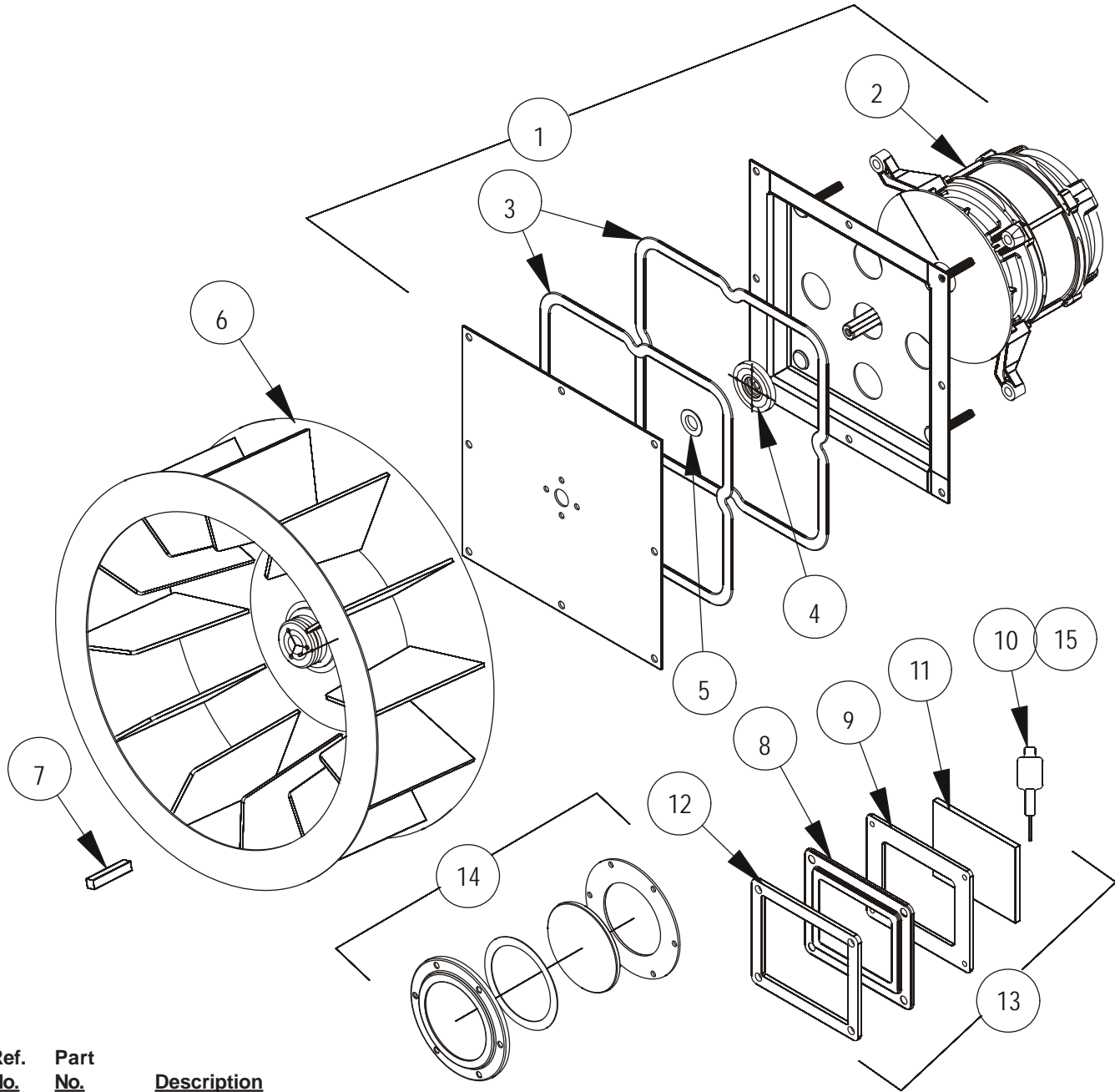
| Ref. No. | Part No. | Description  |
|----------|----------|--|
| 1        | R11464   | DRAIN GASKET   |
| 2        | 50423    | DRIP PAN TUBE  |
| 3        | 39806    | HIGH LIMIT SWITCH, ALL MODELS W/MANUAL CONTROLS BEFORE 9-15-10 EXCEPT CNVX |
|          | 39800    | HIGH LIMIT PROBE, ALL MODELS W/MENUSELECT CONTROLS                         |
|          | 39800    | HIGH LIMIT PROBE, ALL MODELS W/MANUAL CONTROLS AFTER 9-15-10 EXCEPT CNVX   |
| 4        | 39650    | BOILER DRAIN VALVE   |
| 5        | 51608    | BOILER DRAIN VALVE   |
| 6        | 52956    | FLEX TUBE W/FITTINGS, 1/4" OD x 12" LONG ALL MODELS EXCEPT CNVX            |
| 7        | 39793    | QUENCH SOLENOID  |
| 8        | 52952    | FLEX TUBE W/FITTINGS, 1/4" OD x 48" LONG                                   |
| 9        | 39989    | HOSE, 1 1/4 ID (BY THE INCH)   |
| 10       | 53008    | ROTARY SOLENOID  |
|          | 51088    | DIODE HARNESS, CNVX MODELS BEFORE 9-15-10                                  |
| 11       | 50186    | VENT GASKET  |
| 12       | R7835    | COUPLING   |

## VENTING & STACKING



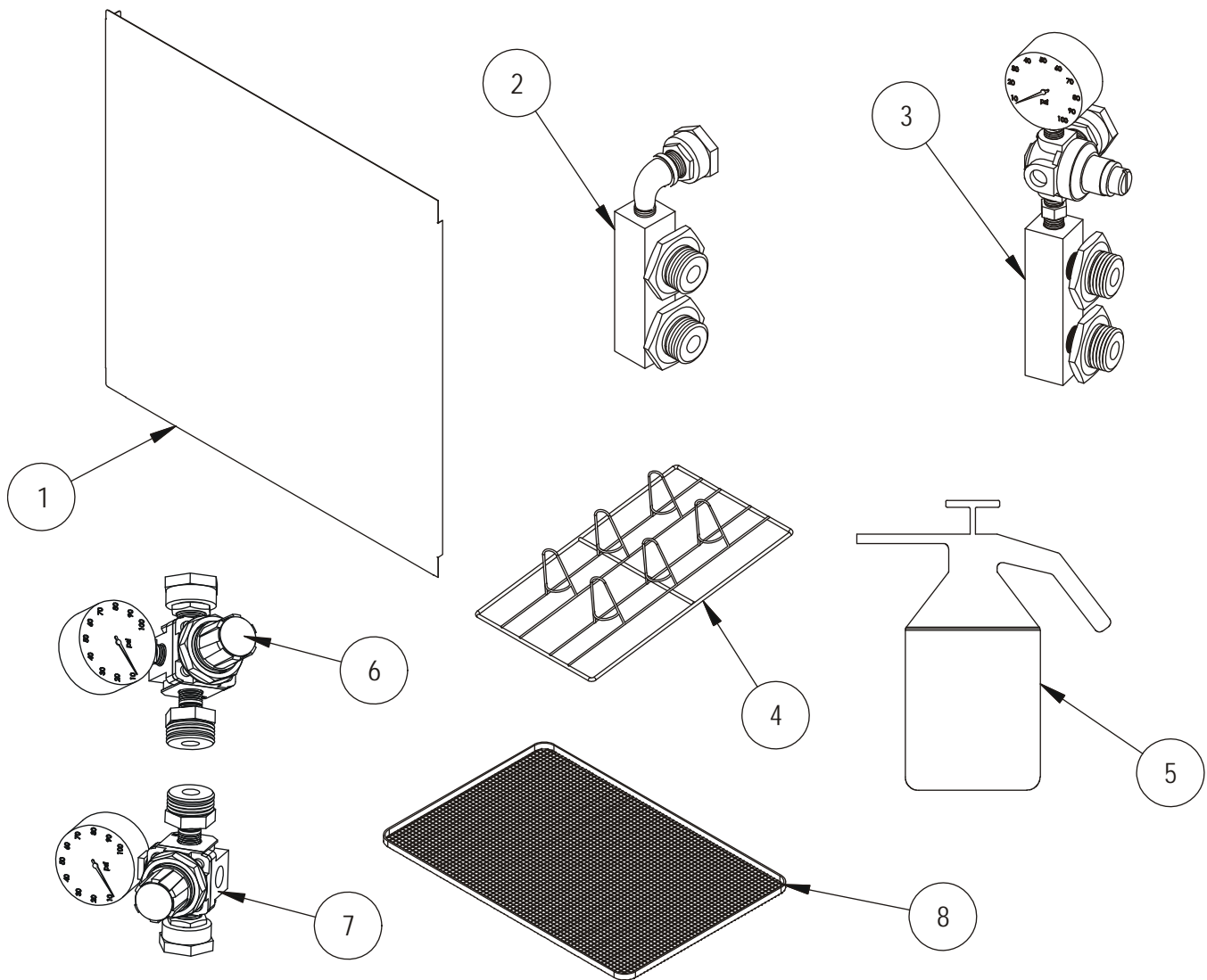
| <b>Ref. No.</b> | <b>Part No.</b> | <b>Description</b>  |
|-----------------|-----------------|---|
| 1               | R8806           | EXHAUST FLUE, BOILER  |
| 2               | R8808           | EXHAUST FLUE EXTENSION, BOILER                                      |
| 3               | R8805           | EXHAUST FLUE, BOILER (BOTTOM OVENS ONLY)                            |
| 4               | R9237           | FLUE EXTENSION, RH (AS VIEWED FROM FRONT OF OVEN)                   |
| 5               | R9238           | FLUE EXTENSION, LH (AS VIEWED FROM FRONT OF OVEN)                   |
| 6               | R8990           | EXHAUST FLUE (BOTTOM OVENS ONLY)                                    |
| 7               | R8989           | CAVITY VENT   |
| 8               | R8989           | EXHAUST FLUE (TOP OR SINGLE OVENS ONLY)                             |
| 9               | 53102           | CAVITY VENT EXTENSION   |
|                 | 52963           | STACKING KIT, ANY ELECTRIC MODEL ON ANY OTHER ELECTRIC MODEL        |
|                 | 52964           | STACKING KIT, BCX GAS MODEL ON BCX GAS MODEL                        |
|                 | 52977           | STACKING KIT, BCX, BX, OR CNVX GAS MODELS ON BX, OR CNVX GAS MODELS |
|                 | 53963           | ADDITIONAL VENT EXTENSION, 12" STRAIGHT                             |
|                 | 53898           | ADDITIONAL VENT EXTENSION, 12" STRAIGHT WITH 45 DEG OFFSET          |

# MOTOR & LIGHTS



| <u>Ref. No.</u> | <u>Part No.</u> | <u>Description</u>                                  |
|-----------------|-----------------|---|
| 1               | 39333           | MOTOR & PANEL ASSEMBLY (INCLUDES ITEMS 2-5 & PANEL) |
| 2               | 39332           | MOTOR, 220 VOLT 1/2 HP                              |
| 3               | R8423           | GORETEX GASKET                                      |
| 4               | R8955           | SEAL RETAINER                                       |
| 5               | R4244           | SHAFT SEAL  |
| 6               | 52958           | BLOWER WHEEL W/SHAFT KEY                            |
| 7               | 10944           | SHAFT KEY   |
| 8               | D0125           | LIGHT BEZEL (FOR SQUARE LIGHT DESIGN)               |
| 9               | D0127           | LIGHT GASKET (FOR SQUARE LIGHT DESIGN)              |
| 10              | D0128           | HALOGEN BULB (FOR SQUARE LIGHT DESIGN)              |
| 11              | 50192           | LIGHT LENS (FOR SQUARE LIGHT DESIGN)                |
| 12              | 53070           | OUTER LIGHT FRAME (FOR SQUARE LIGHT DESIGN)         |
| 13              | 52959           | BULB REPLACEMENT KIT (INCLUDES ITEMS 8-12)          |
| 14              | 53081           | LENS & GASKETS (FOR ROUND LIGHT DESIGN)             |
| 15              | 53101           | HALOGEN BULB (FOR ROUND LIGHT DESIGN)               |
|                 | D0119           | HOUSING, SOCKET, & BULB (FOR SQUARE LIGHT DESIGN)   |
|                 | 53194           | HOUSING, SOCKET, & BULB (FOR ROUND LIGHT DESIGN)    |

## LEGS & ACCESSORIES



| <b>Ref. No.</b> | <b>Part No.</b> | <b>Description</b>                                     |
|-----------------|-----------------|--|
| 1               | 54278           | HEAT SHIELD KIT  |
| 2               | 50428           | WATER MANIFOLD W/O REGULATOR                           |
| 3               | 50425           | WATER MANIFOLD W/REGULATOR                             |
| 4               | 52387           | CHICKEN ROASTING RACK                                  |
| 5               | R10955          | SPRAY BOTTLE   |
| 6               | 50429           | PRESSURE REGULATOR (QUENCH OR SPRAY HOSE)              |
| 7               | 50435           | PRESSURE REGULATOR (BOILER)                            |
| 8               | 54247           | MULTI-PURPOSE FRY RACK                                 |
|                 | 21242           | GAS HOSE, 48"  |
|                 | 21826           | GAS HOSE, 36"  |
|                 | 39911           | CORDSET, GAS MODELS                                    |
|                 | R3109           | 4" S/S LEGS W/FEET (SET OF 4)                          |
|                 | 8600            | 6" S/S LEGS W/FEET (SET OF 4)                          |
|                 | 33196           | 6" SEISMIC LEGS (SET OF 4)                             |
|                 | R2899           | 25" S/S LEGS W/FEET (SET OF 4)                         |
|                 | R5452           | 18" S/S FLOOR STAND (ORDER FEET OR CASTERS SEPERATELY) |
|                 | R5453           | 22" S/S FLOOR STAND (ORDER FEET OR CASTERS SEPERATELY) |
|                 | R5455           | FLOOR STAND FEET (SET OF 4)                            |
|                 | R5454           | FLOOR STAND CASTERS (SET OF 4)                         |
|                 | R5456           | FLOOR STAND SEISMIC FEET (SET OF 4)                    |