

Architectural Emergency

PathMaster Die Cast Mini LED Step Light



Specifier's Reference

Project
Type
Model No.
Comments

codes and standards

- UL 1598 and 924 listed
- UL wet location listed standard
- NFPA 101, NEC, IBC, BOCA, and OSHA illumination standard
- Meets ADA specifications for wall mounted lighting fixtures

construction

- The PathMaster Series is constructed from premium die cast aluminum components and is painted in a durable powder coat finish.
- Numerous standard finishes available with optional finishes available for custom projects.
- PathMaster is assembled as a one-piece device that includes the LED light engine, integral power supply, three level intensity control or line voltage dimmable driver (120VAC models only).
- All LED and electrical components are protected by both a polycarbonate lens and high impact power supply case that will be located within the junction box.
- A neoprene gasket is provided standard for exterior applications.

installation

- The PathMaster Series is designed for direct mounting to a single gang junction box.
- The PathMaster is fastened to the single-gang junction box via two oval head 6x32x1/2" machine screws (supplied with product); junction boxes are not supplied with the product.
- When installing PathMaster in an outdoor damp or wet location, a single gang "FS" style junction box will be required by most local electrical codes.

electronics

- PathMaster is designed with solid state components and is rated for 10 years of continuous "normally on" use.

- Electrical connection is made via two flying leads.
- Standard product incorporates dip switches on rear of product allowing three levels of intensity. An optional line voltage dimmable driver is available on 120VAC models. (see factory options)
- The line voltage dimmable driver requires a reverse-phase ELV dimming system.
- Power Consumption
Current at dip switch setting (low, medium, high)
12 VDC: 0.140 A, 0.330 A, 0.430 A
12 VAC: 0.220 A, 0.465 A, 0.585 A
120 VAC: 0.035 A, 0.065 A, 0.085 A
120 VAC line voltage dimmable: 60 Hz, 0.072 A
- Standard Wet Location:
Operating temperature range -31°F (-35°C) to 104°F (40°C).

lamps

- The PathMaster LED engine utilizes three high performance white LEDs combined with a solid-state integral driver circuit.
- PathMaster performs best when mounted 18" AFF. By utilizing multiple luminaires mounted on 10' centers, PathMaster will meet NFPA required 1 foot-candle average illumination standard.
- PathMaster incorporates a user selectable, three level intensity control or an optional line voltage dimmable driver (120VAC models only).
- The PathMaster Series with white LEDs operates at 3500K nominal with a minimum CRI of 80. The amber LEDs operate at a nominal wave length of 600nm.

warranty

- Five-year full electronics warranty.

Green Product Choice: P1SBK

Series	Input Voltage	Lens	Finish	Factory Option
P – PathMaster PH – PathMaster Horizontal Mount	1 – 12V AC,DC 2 – 120VAC	S – Satin	WH – White IV – Ivory G – Gunmetal AC – Aged Copper N – Nickel BK – Black A – Aluminum BR – Ornamental Bronze VG – Velvet Green GA – Granite	DIM – Line Voltage Dimmable ¹ AMB – Amber LEDs BLU – Blue LEDs

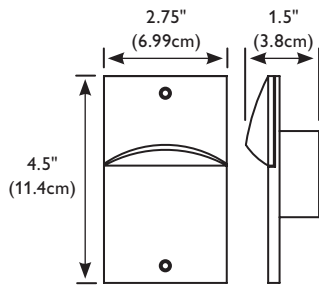
Footnote

¹ Line voltage dimmable driver available only with 120 VAC (P2, PH2) models.

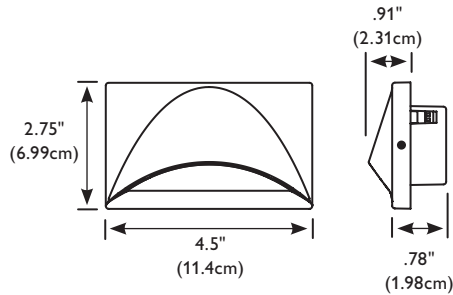


dimensions

PathMaster Series



Horizontal PathMaster Series



lumen output

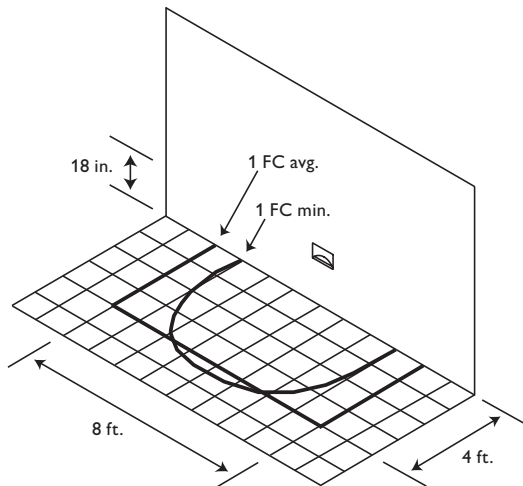
The following data represents absolute lumen output in accordance with test method IESNA LM-79-08.

	Vertical, Lumens			Horizontal, Lumens		
	Low	Med	High	Low	Med	High
12 VAC/VDC	57.1	123.5	156.0	54.2	113.1	148.8
120 VAC	65.5	123.8	156.0	62.9	119.3	148.7
120 VAC DIM		162.6			128.7	

performance

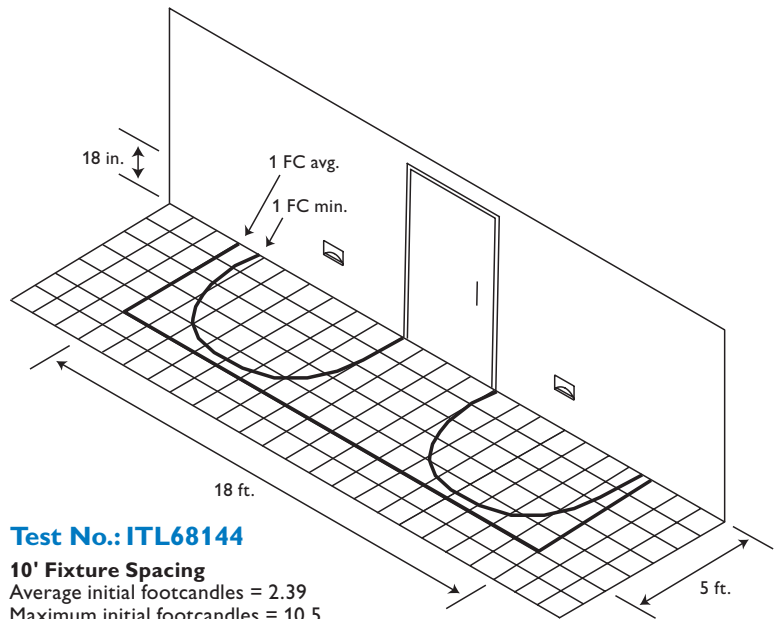
Meets Life Safety Code illumination standard; average of 1.0 FC, no point less than 0.1 FC, max to min ratio of 40:1. Assumes open space with no obstructions, mounting height: 18" and reflectances: 80/50/20. Analysis based on independently tested photometrics.

Wall Mounted 18" AFF
High Setting



Test No.: ITL68144

Average initial footcandles = 3.11
Maximum initial footcandles = 10.1
Minimum initial footcandles = 0.4
Maximum to minimum ratio = 25.25



Test No.: ITL68144

10' Fixture Spacing
Average initial footcandles = 2.39
Maximum initial footcandles = 10.5
Minimum initial footcandles = 0.3
Maximum to minimum ratio = 35.00

