

Architectural Message Sign

Single-Face Illuminated Signage
LED
AMS Series



Project	Type
Project Location	
Catalog #	

Description

The Architectural Message Sign provides a LED back-lit solution for a wide variety of single -face applications. Message panels can be selected with black, red or green letters on a white background or in a "disappearing" version where the illuminated red letters remain hidden when the sign is off. Numerous mounting accessories are available to simplify installation and the LED light source provides virtually maintenance-free operation and low energy consumption.

Additional Features:

- The back-lit message panels are available in black, red or green letters on a white translucent background. In addition, all messages can be specified with red letters against a black background where the message is only visible when the sign is illuminated. Not available as an exit sign.
- 26 standard messages with custom messages available upon request.
- Durable extruded aluminum frame with mitered corners.
- Variety of mounting configurations available.
- Available for either 120 or 277 volt applications.
- Simple to install and virtually no maintenance with the LED light source.
- 5 year warranty on all components.



Specifications

Construction The AMS (single-face model) has a 3" deep extruded aluminum housing with mitered corners. The back plate is formed from 0.050" aluminum and adds a 0.25" to the overall depth of the sign.

Panels The message panels are 0.125" thick, translucent acrylic with stencil cut applied vinyl graphics. An additional 0.125" thick, clear acrylic exterior face panel is placed over the message panel to protect the lettering. The exterior panel for the "disappearing" version is tinted to hide the message when the sign is off. All panels are securely captured

within the sign frame. There are twenty-six (26) standard messages with additional custom messages available upon request.

Finish The sign body and all mounting accessories have a black acrylic polyurethane paint finish.

Light Source Message panel is back-lit with solid-state LED panel with an integral driver.

Electrical Available for 120 and 277 volt applications. The sign draws 9 watts and 0.42 Amps (120v).

Installation Four (4) mounting holes on the back plate are used for anchoring the sign housing to a wall

or with the optional mounting accessories. A 7/8" knockout is provided on the back plate for electrical connection. The body of the sign hooks onto the back plate and is locked into place with two screws. A variety of mounting accessories for recessed, pendant, ceiling and wall mounting can be specified.

Listings UL and CUL listed for Wet Locations.

Warranty All luminaire components are warranted for 5 years from original date of shipment.

Ordering Information

Sample Catalog No: AMS - 120 - RW - DO NOT ENTER - CMB
Single-face sign, 120V, red on white panel reading "DO NOT ENTER" with ceiling mount bracket

Model Number	Voltage	Sign Panel Color	Message ²	Options	
AMS Single-face sign	120 277	BW Black letters on a white background RW Red letters on a white background GW Green letters on a white background DS¹ Disappearing sign, red letters on a black background	ALERT BEAM ON CAUTION X-RAY DANGER LASER IN USE DARK ROOM IN USE DO NOT ENTER DRY ROOM IN USE ELEVATORS EXAM ROOM IN USE FIRE DO NOT ENTER IN USE LADIES LASER IN USE	LASER ON MEN OCCUPIED RADIATION ON READY RECORDING RESTROOMS ROOM IN USE SYSTEM READY TELEPHONE WOMEN X-RAY IN USE	RFR Recessed frame CMB Ceiling mount bracket SMB Side mount bracket PMB Pendant mount bracket FLASH Message flashing (60 times/min.)

¹ Message is only visible when sign is illuminated. The sign panel appears black in off condition.

² Not available with "EXIT" wording.



PHILIPS
CHLORIDE

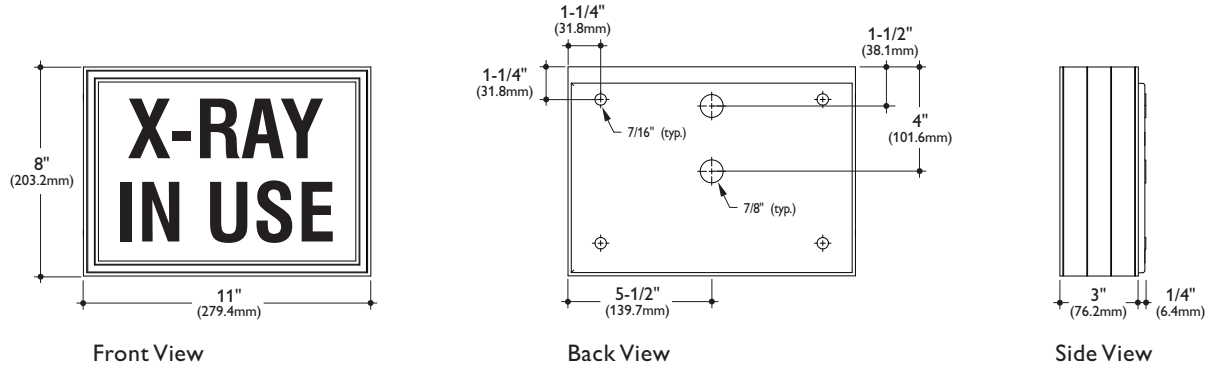
Architectural Message Sign

Single-Face Illuminated Signage
 LED
 AMS Series



Project	Type
---------	------

Dimensional Data



BW - Black Letters on White Sign Panel



GW - Green Letters on White Sign Panel



RW - Red Letters on White Sign Panel

Message Options

ALERT	BEAM ON	CAUTION X-RAY	DANGER LASER IN USE	DARKROOM IN USE	DO NOT ENTER	DRY ROOM IN USE
ELEVATORS	EXAM ROOM IN USE	FIRE DO NOT ENTER	IN USE	LADIES	LASER IN USE	LASER ON
MEN	OCCUPIED	RADIATION ON	READY	RECORDING	RESTROOMS	ROOM IN USE
SYSTEM READY	TELEPHONE	WOMEN	X-RAY IN USE			

Architectural Message Sign

Single-Face Illuminated Signage

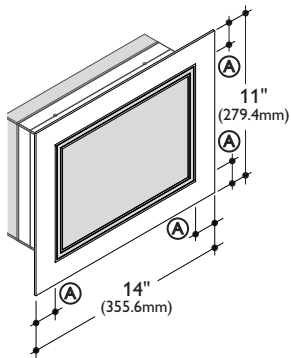
LED

AMS Series

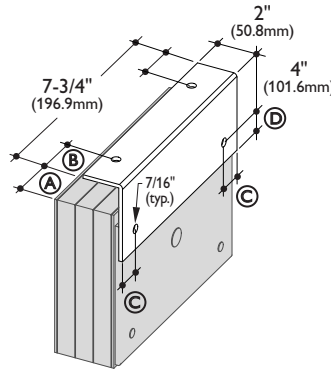


Project	Type
---------	------

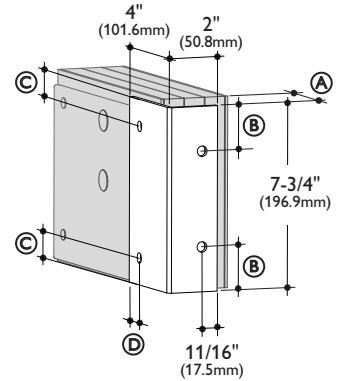
Dimensional Data



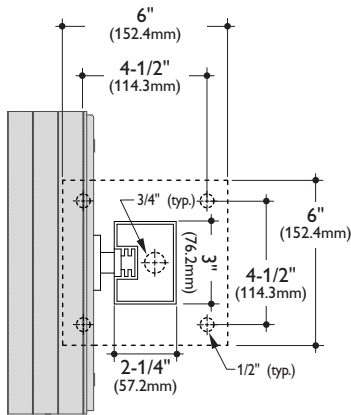
RFR - Recessed Frame



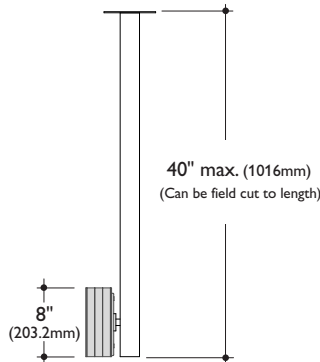
CMB - Ceiling Mount Bracket



SMB - Side Mount Bracket



PMB - Pendant Mount Bracket



DIMENSIONS			
A	B	C	D
1-1/2" (38.1mm)	1-7/8" (47.6mm)	1-1/8" (28.6mm)	1-1/16" (27mm)



© 2014 Koninklijke Philips N.V. All rights reserved.
 Specifications are subject to change without notice.
www.philips.com/luminaires

Philips Lighting
 North America Corporation
 200 Franklin Square Drive
 Somerset, NJ 08873
 Tel. 855-486-2216

Imported by: Philips Lighting,
 a division of Philips Electronics Ltd.
 281 Hillmount Rd,
 Markham, ON Canada L6C 2S3
 Tel. 800-668-9008