



# A-Shape LED

11A19/END/2700 DIM 6/1

Philips A-shape Dimmable LED lamps are the smart LED alternative to standard incandescents. The unique lamp design provides omi-directional light with excellent dimming performance.

## Product data

### • General Characteristics

Cap-Base	E26
Bulb	A19
Rated Avg. Life (Hours)	25000 hr
Rated Avg. Life (Hours)	25000 hr

### • Light Technical Characteristics

Color Code	WW
Color Designation	Warm White
Beam Description	- [-]
Correlated Color Temperature	2700 K
Approximate Lumens	800 Lm
Approx. MBCP	800 cd
CRI	81
Luminous Efficacy	72.73 Lm/W
Lamp	
Color Temp. (Kelvin)	2700 K [CCT 2700K]
Rated Luminous Flux	800 Lm

### • Electrical Characteristics

Wattage	11 W
Wattage Technical	11 W
Voltage	120 V

Line Frequency	60 Hz
Power Factor	0.7 -
Lamp Current mA	110 mA
Dimmable	Yes
Wattage Equivalent	60 W
Starting Time	0.5 s

### • Measuring Conditions

Switching cycle	50000X
-----------------	--------

### • Product Dimensions

Overall Length C	106.8 mm
Diameter D	31.8 mm

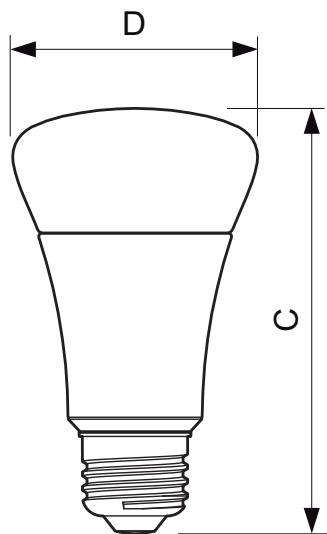
### • Product Data

Product number	423491
Full product name	11A19/END/2700 DIM 6/1
Short product name	11A19/END/2700 DIM 6/1
Pieces per Sku	1
eop_pck_cfg	6
Skus/Case	6
Bar code on pack	46677423490
Bar code on case	50046677423495
Logistics code(s)	929000226804
eop_net_weight_pp	0.134 kg



# PHILIPS

## Dimensional drawing



E26

### 11A19/END/2700 DIM 6/1

Product	C (Norm)	C1 (Max)	D (Norm)	D1 (Norm)
LED 11W E26 2700K 120V A19	106.8	-	31.8	-



© 2014 Koninklijke Philips N.V. (Royal Philips)  
All rights reserved.

Specifications are subject to change without notice. Trademarks are the property of Koninklijke Philips N.V. (Royal Philips) or their respective owners.

[www.philips.com/lighting](http://www.philips.com/lighting)

2014, April 8  
data subject to change