



PAR38 LED with AirFlux Technology

17PAR38/F25 3000 DIM AF 6/1

Philips PAR38 Dimmable LED Lamps with AirFlux Technology provide optimal thermal efficiency in a sleek, lightweight design.

Product data

• General Characteristics

Cap-Base	E26
Bulb	PAR38 [PAR38 mm]
Rated Avg. Life (Hours)	45000 hr

• Light Technical Characteristics

Color Code	WH
Color Designation	White
Beam Angle	25 D
Beam Description	25D [Medium beam]
Correlated Color Temperature	3000 K
Approximate Lumens	1200 Lm
Approx. MBCP	6000 cd
CRI	81
Luminous Efficacy Lamp	71 Lm/W
Color Temp. (Kelvin)	3000 K [CCT 3000K]
Rated Luminous Flux	1200 Lm

• Electrical Characteristics

Wattage	17 W
Wattage Technical	17 W
Voltage	120 V

Line Frequency	60 Hz
Power Factor	0.9 -
Lamp Current mA	172 mA
Dimmable	Yes
Starting Time	0.5 (max) s

• Measuring Conditions

Switching cycle	50000X
-----------------	--------

• Product Dimensions

Overall Length C	129 mm
Diameter D	121 mm

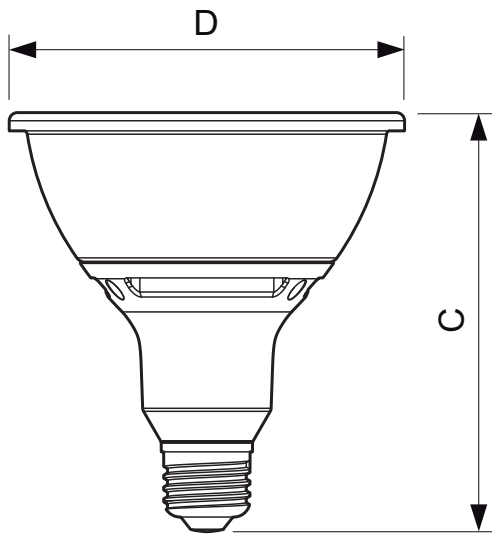
• Product Data

Product number	429035
Full product name	17PAR38/F25 3000 DIM AF 6/1
Short product name	17PAR38/F25 3000 DIM AF 6/1
Pieces per Sku	1
eop_pck_cfg	6
Skus/Case	6
Bar code on pack	46677429034
Bar code on case	50046677429039
Logistics code(s)	929000245704
eop_net_weight_pp	0.370 kg



PHILIPS

Dimensional drawing



E26

17PAR38/F25 3000 DIM AF 6/1

Product	C (Norm)	C1 (Max)	D (Norm)	D1 (Norm)
LED 17W E26 3000K PAR38 25D DIM	129	-	121	-



© 2014 Koninklijke Philips N.V. (Royal Philips)
All rights reserved.

Specifications are subject to change without notice. Trademarks are the property of Koninklijke Philips N.V. (Royal Philips) or their respective owners.

www.philips.com/lighting

2014, April 8
data subject to change